

DETAILS

Product Number	FP11047_LISA2-RS-PIN
Family	Lisa
Type	Assembly
Color	black
Diameter	9,9 mm
Height	6,6 mm
Style	round
Optic Material	PMMA
Holder Material	
Fastening	glue, pin
Status	production ready
ROHS Compliant	Yes
Date Updated	15/04/2016



OPTICAL PROPERTIES

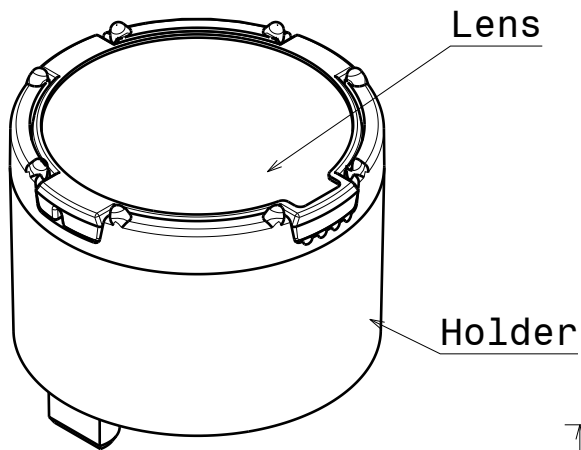
LED	Viewing	Light	Effi-		Connector
	Angle	Beam	ciency	cd/lm	
Oslon SSL 80	16 deg	Real spot	89 %	-	-
Oslon SSL 150	16 deg	Real spot	92 %	-	-
SFH 4770S	sim: 18	Real spot	sim: 93 %	-	-
Synios P2720 1 mm	sim: 13	Real spot	sim: 92 %	sim: 9.650	-

D

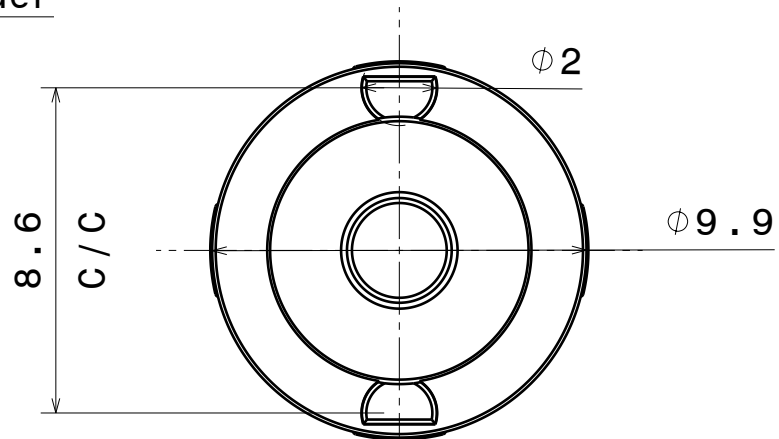
C

B

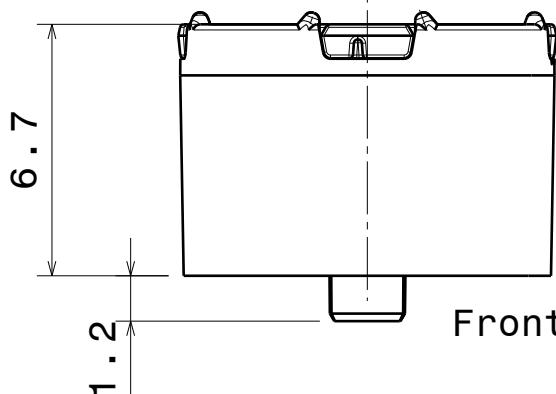
A



Isometric view
Scale: 5:1



Bottom view



Front view

Tolerances if not otherwise shown
According to DIN ISO 2768-1
Linear measures:
Up to 30mm class M, otherwise class C.
According to DIN ISO 2768-2
Form and position: class L

LEDiL Ledil Oy
Salorankatu 10
FIN 24240 SALO
Finland

THIRD ANGLE PROJECTION:

DRAWING TITLE
FP11047_LISA2-RS-PIN

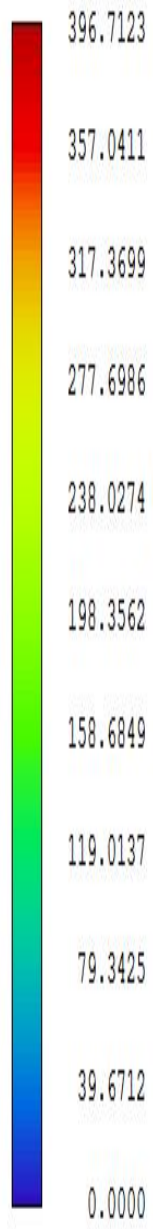
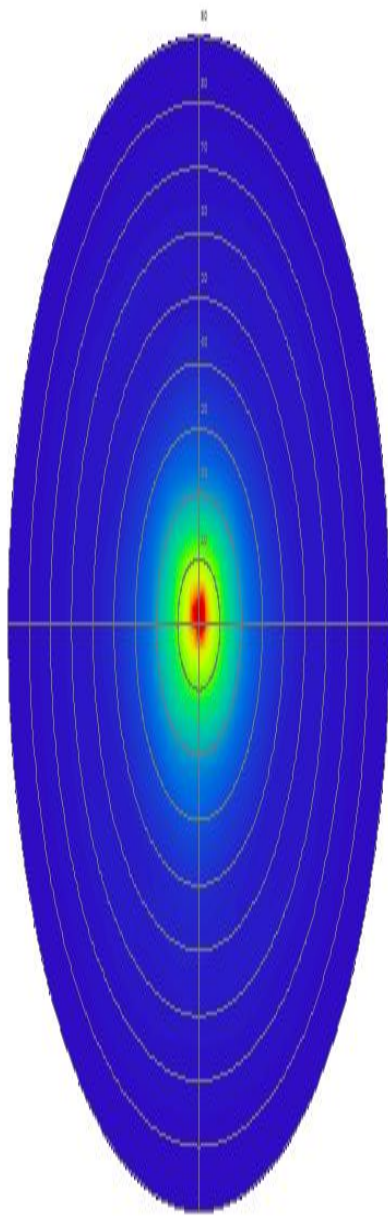
This drawing is the property of LEDiL Oy. It may not be reproduced, copied or communicated without a written agreement with LEDiL Oy."

SIZE	PART NUMBER
A4	FP11047

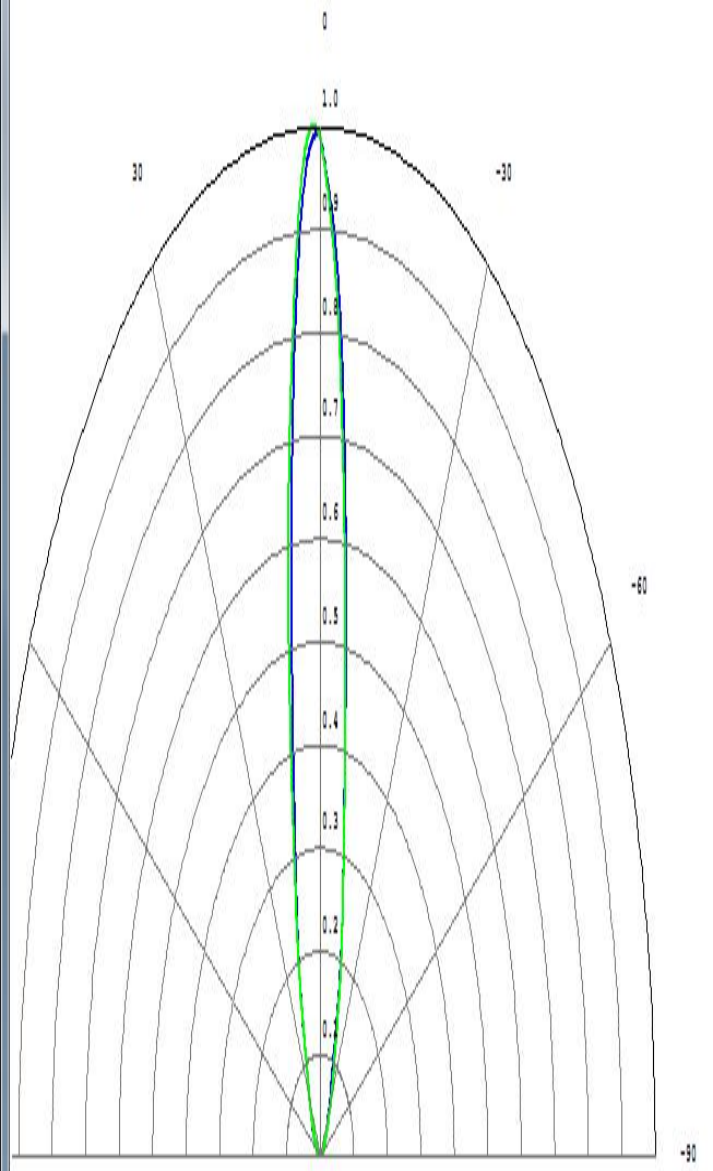
SCALE	5:1	WEIGHT	-	SHEET	1/1
-------	-----	--------	---	-------	-----

D

A



Detector Image: Radiant Intensity



Angles: 0 90

Detector Image: Radiant Intensity

NOTE: The typical divergence will be changed by different color, chip size and chip position tolerance. The typical total divergence is the full angle measured where the luminous intensity is half of the peak value.