

Data sheet

Commercial Art.No.: 27.631.4253.0

PCB connector 8513 BS / 12 F2 OB

PCB female connector, 12 poles, pitch: 3.5 mm, type of packing: carton,color: grey



Commercial Art.No.	27.631.4253.0
EAN	4049644018558
Order Unit	50

Certificates / Approvals



Technical data

General

Modular spacing	3.5 mm
Soldering process	None
Packaging	Carton
Number of poles	12
Marking	No
Mating direction towards connector	180°

Technical data

Nominal cross section	1.5 mm ²
Rated current	8 A
Overvoltage Category I	690 V
Overvoltage Category II	250 V
Overvoltage Category III	160
Rated impulse voltage	2.5 kV
Wire strip length	10 mm

Connection Data

Minimum cross section solid	0.2 mm ²
Maximum cross section solid	1.5 mm ²
Minimum cross section fine stranded	0.2 mm ²
Maximum cross section fine stranded	1.5 mm ²
Wire strip length	10 mm

Technical Data UL/CSA

Cross section UL	24-16 AWG
Voltage UL	150 V

Current field wiring	8 A
Current factory wiring	8 A
Cross section CSA	24-16 AWG
Voltage CSA	150 V
Current CSA	8 A

Other

Type of insulation material	Thermoplastic
Color	Grey
Height	7.8 mm
Length	52.1 mm
Depth	22.9 mm
Material attachment screw	None
Material contact base	Other
Material contact surface	Sn

Classification

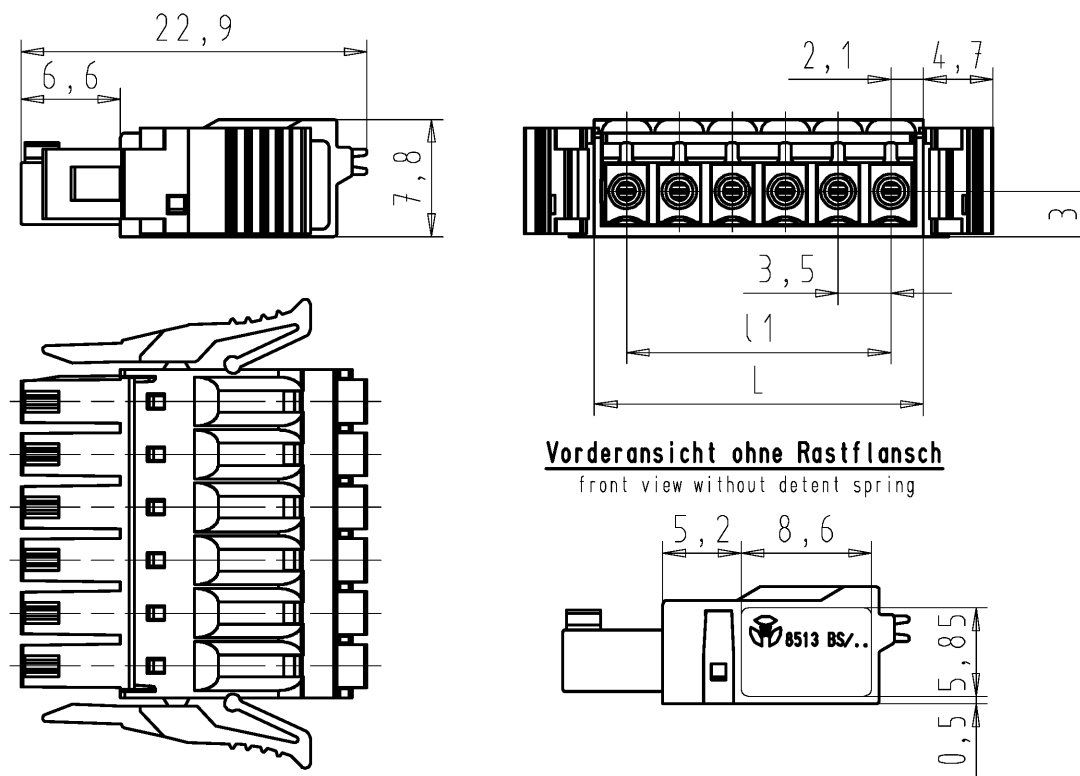
ECLASS 11	
ECLASS 8.1	27440402
ETIM 7.0	EC002637
ETIM 6.0	EC002637
ETIM 5.0	EC002637

Fits with

Commercial Art.No.:	Article-type description:	Description:
25.647.4253.0	PCB pin header 8513 S / 12 WF OB	PCB pin header with pin header, connection method depends on used socket part , 12 poles, pitch: 3.5 mm, type of packing: carton, color: grey
25.646.4253.0	PCB pin header 8513 S / 12 GF OB	PCB pin header with pin header, connection method depends on used socket part , 12 poles, pitch: 3.5 mm, type of packing: carton, color: grey
25.657.7208.0	PCB pin header 8513 SEGN/12 W F2 THR OB	PCB pin header with pin header, connection method depends on used socket part , 12 poles, with solder pin (1.5mm, tin plated), pitch: 3.5 mm, type of packing: carton, color: black, This product can be soldered by reflow and wave soldering,
25.657.7206.0	PCB pin header 8513 SEGN/12 W F2 THR OB	PCB pin header with pin header, connection method depends on used socket part , 12 poles, with solder pin (2.6mm, tin plated), pitch: 3.5 mm, type of packing: carton, color: black, This product can be soldered by reflow and wave soldering,
25.656.7208.0	PCB pin header 8513 SEGN/12 G F2 THR OB	PCB pin header with pin header, connection method depends on used socket part , 12 poles, with solder pin (1.5mm, tin plated), pitch: 3.5 mm, type of packing: carton, color: black, This product can be soldered by reflow and wave soldering,
25.656.7206.0	PCB pin header 8513 SEGN/12 G F2 THR OB	PCB pin header with pin header, connection method depends on used socket part , 12 poles, with solder pin (2.6mm, tin plated), pitch: 3.5 mm, type of packing: carton, color: black, This product can be soldered by reflow and wave soldering,

Technische Daten
Technical Data

	VDE	UL	CSA
Bemessungsspannung V rated voltage	160	150	150
Bemessungsstrom A rated current	8	8	8
Anschlussbereich max. mm ² /AWG connection range	1,5	16	16
Isoliermaterial Gehäuse insulating material housing	PA Farbe: grau, RAL 7032 PA colour: grey, RAL 7032		
Isoliermaterial Rastfeder insulating material detent spring	PA Farbe: schwarz, RAL 9005 PA colour: black, RAL 9005		
Brennbarkeitsklasse flamability rating	UL 94-V0		
Kontaktbasismaterial contact basis material	Cu-Legierung copper alloy		
Kontaktoberfläche contact surface	Sn 4-8µm		
Verschmutzungsgrad 2/Überspannungskategorie III pollution degree 2/overvoltage category III			



Vorderansicht ohne Rastflansch
front view without detent spring

Teile-Nr. part-no.	Typ type	Polzahl pole	L	l1
27.631.3253.0	8513 BS/ 2 F2 OB HW	2	7,7	3,5
27.631.3353.0	8513 BS/ 3 F2 OB HW	3	11,2	7,0
27.631.3453.0	8513 BS/ 4 F2 OB HW	4	14,7	10,5
27.631.3553.0	8513 BS/ 5 F2 OB HW	5	18,2	14,0
27.631.3653.0	8513 BS/ 6 F2 OB HW	6	21,7	17,5
27.631.3753.0	8513 BS/ 7 F2 OB HW	7	25,2	21,0
27.631.3853.0	8513 BS/ 8 F2 OB HW	8	28,7	24,5
27.631.3953.0	8513 BS/ 9 F2 OB HW	9	32,2	28,0
27.631.4053.0	8513 BS/10 F2 OB HW	10	35,7	31,5
27.631.4153.0	8513 BS/11 F2 OB HW	11	39,2	35,0
27.631.4253.0	8513 BS/12 F2 OB HW	12	42,7	38,5
27.631.4353.0	8513 BS/13 F2 OB HW	13	46,2	42,0
27.631.4453.0	8513 BS/14 F2 OB HW	14	49,7	45,5
27.631.4553.0	8513 BS/15 F2 OB HW	15	53,2	49,0
27.631.4653.0	8513 BS/16 F2 OB HW	16	56,7	52,5

Tolerierung nach DIN 7167/Tolerance system acc. to DIN 7167. (This DIN-standard describes the envelope principle. According to the envelope principle the deviations of form and parallelism are limited by the size tolerances).		ja/yes <input checked="" type="checkbox"/> Stoffverbots- und Deklarationsliste nach UU-TQM-05/03 ist einzuhalten. Conformity with Wieland document UU-TQM-05/03 (list of prohibited / declarable hazardous substances) to be declared!	
Freitoleranz nach General tolerance	DIN ISO 2768 - m	CAD - Zeichnung, keine manuellen Änderungen CAD - drawing, no manual modifications allowed	1. Verwendung: First Use: -
Blatt: 1 von 1 Sheet: of		Zeichnung Nr./Drawing No. Index	
/		Werkstoff/Material Farbe: schwarz/grau colour: black/grey	2008 Tag/Date Name gezeichnet drawn 18.11. Quetsch geprüft checked - - Normgepr. Stand. check - -
/ Maßstab/Scale 2:1		T 27.631.3253.0 01K a	
/ Vol. mm ³ Ofl./Surf. mm ²		Ersatz für/Replacement for: -	
/		Type	Benennung/Title
a 06.08.2015/ Index Datum / Blatt Date / Sheet		PCB PLUG TERMINAL LP_STECKKLEMME Rastermaß 3,5 / pitch 3,5	
Änderung/Revision		Elektrische Verbindungen	

Weitere Daten siehe Katalog
further data see catalog

Weitergabe sowie Vervielfältigung dieses Dokuments, Verwertung und Mitteilung seines Inhalts sind verboten, soweit nicht ausdrücklich gestattet. Die Reproduktion, Distribution und Nutzung dieses Dokuments sowie die Kommunikation der Inhalte ist ohne schriftliche Genehmigung der Wieland-Gruppe ist untersagt.