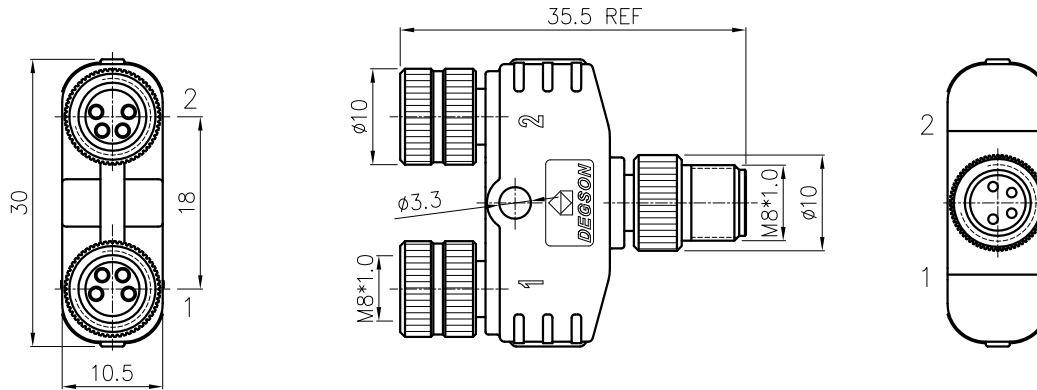
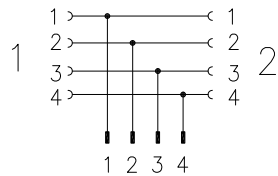


REVISION RECORD				
REV	ECN	DESCRIPTION	DRFT	DATE



Circuit diagram:

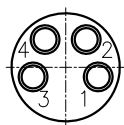


NOTES:

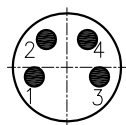
- 1.RoHS Compliance,
- 2.The Code direction is shown as diagram,
- 3.Housing material: PU(Color: black),
- 4.Contact body material: PU(Color: black),
- 5.Contact material: Copper alloy,(plating: gold)
- 6.O Ring material: Silicone,(Color: green)
- 7.Screw material: Copper alloy (plating: Ni),

Technique parameter	
Rated voltage	60V
Rated current	3A
Insulation resistance	≥100MΩ
Withstanding voltage	500V AC
Operating temperature	-25°C~+85°C
Levels of protection	IP67
Cable OD	/

Female(Front view)



Male(Front view)



Dimensional tolerance (mm)				
≤30	30 ~ 60	60 ~ 100	100 ~ 150	>150
±0.20	±0.30	±0.50	±0.70	±1.00

DETACHED LISTS	PART NO.: FYM8A04MM8A04FT0100	宁波高松电子有限公司 NINGBO DEGSON ELECTRICAL CO., LTD		
	APPD:	NAME: FY-M8A-04M-M8A-04F-T-0100		
	CHKD:	TITLE: ASSEMBLY DRAWING		
	DRFT: WYM 2019/05/23	DRAWING NO.: 20000424	REV	TO-1
THIRD ANGLE PROJECTION		DRAWING NO.: 20000424 SHEET 1/1 DO NOT SCALE DRAWING SCALE 1:1		