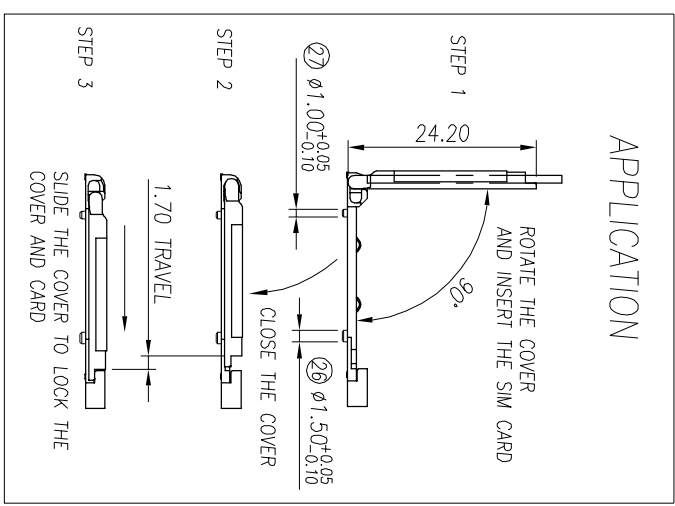
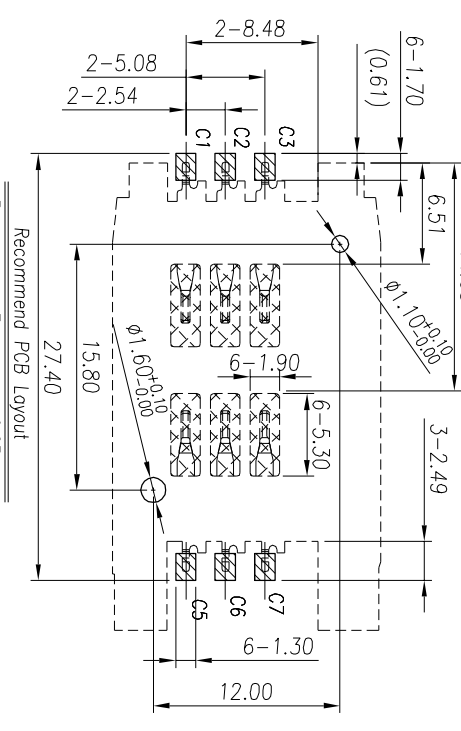
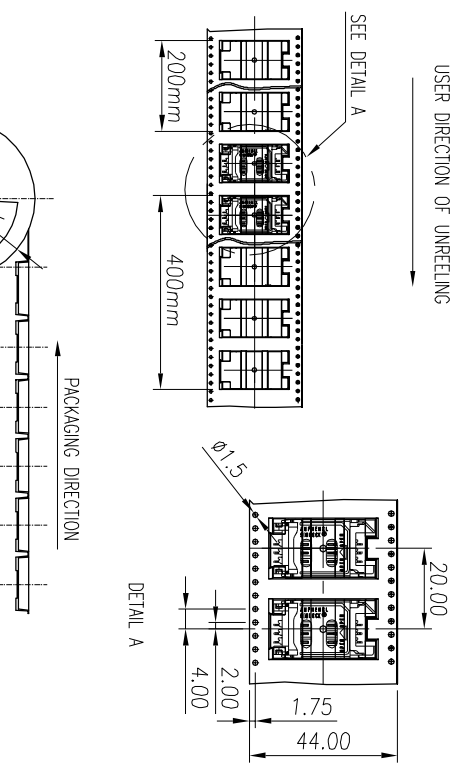
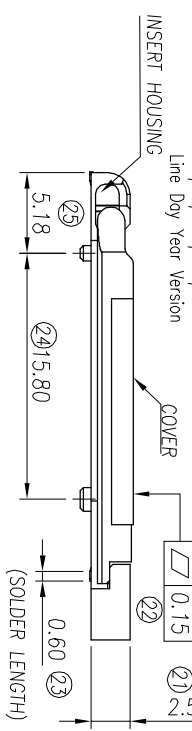
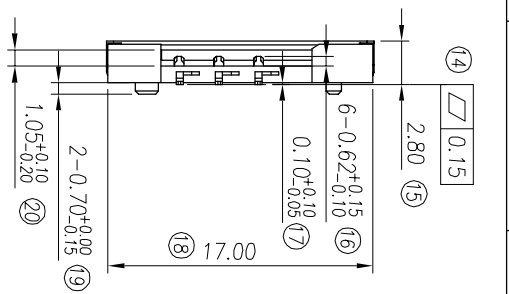
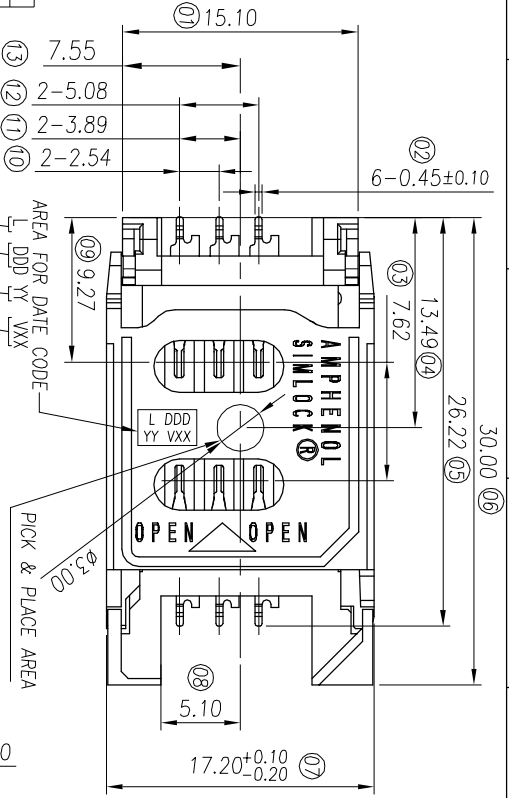


SPECIFICATION

CONTACT RESISTANCE (data) ≤ 100 m Ω
 INSULATION RESISTANCE > 100
 HIGH VOLTAGE RESISTANCE > 125 Vdc, 1 MINUTE
 OPERATING VOLTAGE (SELV) 15 Vdc
 PEAK CURRENT Max. 1 A
 OPERATING TEMPERATURE -25C/+85C
 STORAGE TEMPERATURE
 COMPONENT MECHANICAL LIFETIME -40C/+85C
 1500 MATING CYCLES
 CONTACT FORCE AFTER SOLDERING 0.5N Min AT HEIGHT 0.27 mm
 SOLDERPROFILING
 Max. 260C, 10 SECONDS
 ROHS COMPLIANT

Item	Description	QTY	Material	Finished
1	COVER	1	LCP (Black)	
2	INSERT HOUSING	1	LCP (Black) COPPER ALLOY	Contact area: Min. 0.5 um Au Under plate: over Min. 1.25 um Ni Solder area: Min. 0.025 um Au Under plate: over Min. 1.25 um Ni



PACKAGING SPEC:

1. PACKAGING QUANTITY : 800 pcs PER REEL
 LEADER/TRAILER 400 mm/200mm
 PITCH 20 mm
 WIDTH 44 mm
 13" REEL AND CARRIER TAPE ANTISTATIC
 2. ROHS COMPLIANT

RECOMMEND TOLERANCE ± 0.05 mm

Recommend PCB Layout

solder area
 connector outline
 Recommend Stencil Thickness: 0.15
 No tracks on the pcb in this area allowed

GENERAL TOLERANCES (UNLESS SPECIFIED)		TITLE		DRAWING NO.	
MM	INCH	2.8H SIM BLOCK (HINGE TYPE)		M.C707	10M006 049 2A
4 PLACES	± 0.15	DRAWN BY	Qinwei Sun	PART NO.	C707 10M006 049 2A
2 PLACES	± 0.15	CHECKED BY		DATE	2015-12-30
1 PLACE	± 0.15	APPROVED BY		SCALE	3:1
ANGULAR	\pm	DATE		DESIGN UNITS	MM
CRITICAL DIM.	∇	SHEET NO.	1 OF 1	REVISION NO.	A/0

REV. NO.	CHANGE DESCRIPTION	ALL RIGHTS RESERVED TO AMPHENOL	THIRD ANGLE PROJECTION	AMPHENOL TANJUNJI
A/0	NEW RELEASED			