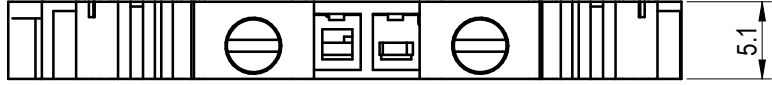
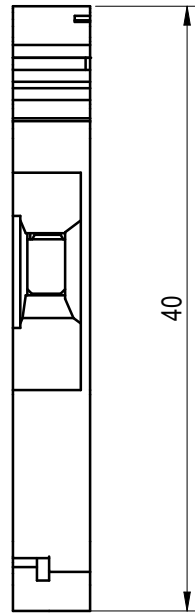
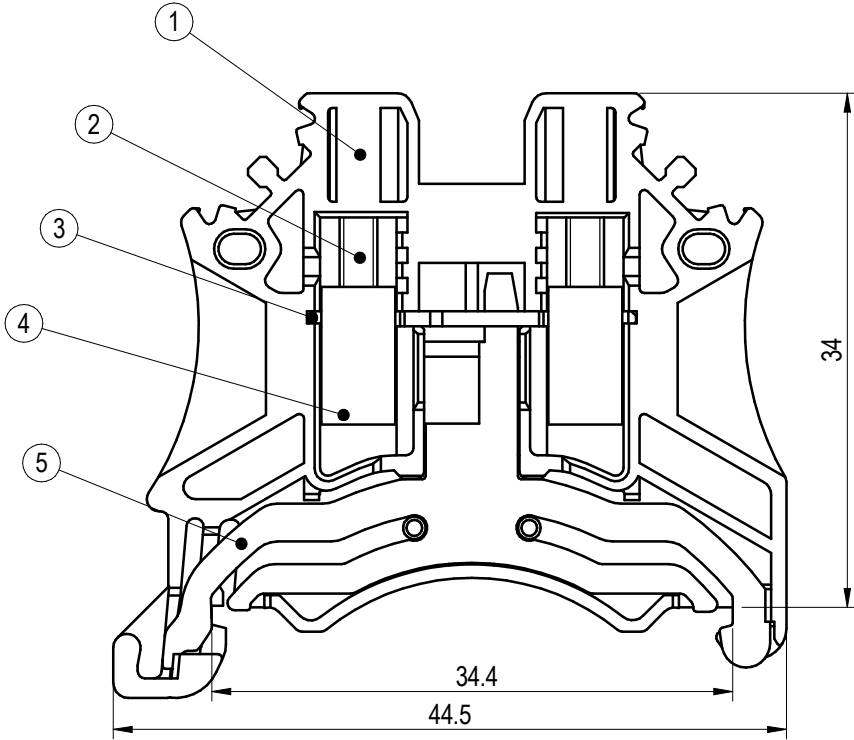


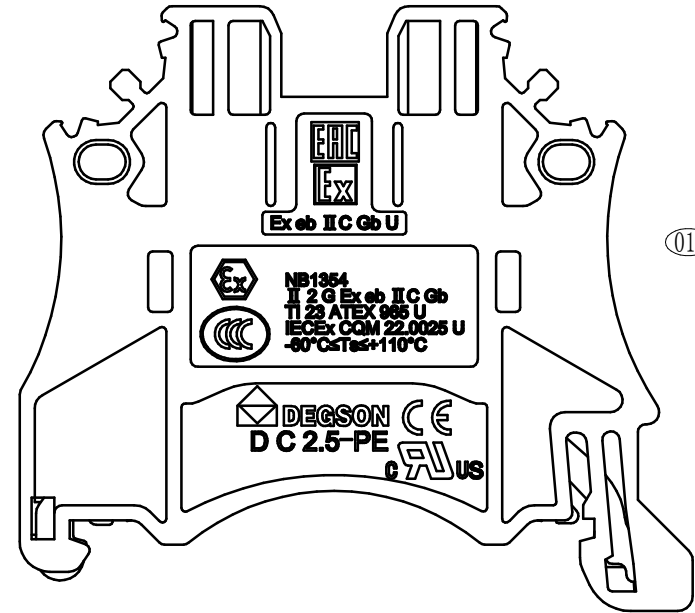
Transfer or duplication of this document as well as the utilization or communication of its contents are prohibited unless and until authorization is granted. Violations will be liable for compensation. All rights reserved for patent, utility model or design registrations. 除专利权明确标注外，其他内容均受法律保护。未经本公司书面许可，任何单位和个人不得擅自复制或传播。违反者将承担法律责任。所有权利均受专利、实用新型或外观设计保护。侵权必究。



5.1



40



未注公差/General tolerances (mm)														
0	>3	>6	>10	>18	>30	>50	>80	>120	>180	>250	>315	>400	0.1/10 ±2'	
~3	~6	~10	~18	~30	~50	~80	~120	~180	~250	~315	~400	>500		
±0.12	±0.18	±0.22	±0.26	±0.31	±0.37	±0.57	±0.80	±0.93	±1.05	±1.15	±1.60	±2.20	±2.50	

IEC 标准/IEC Standard:			
过压类别/Overvoltage Category/污染等级/Pollution Degree	III/3	III/2	II/2
额定脉冲电压 (KV)/Rate Impulse Voltage (KV)	8	/	/
螺丝扭矩/Torque Tightening (N·m/Lb.in)	M2.5, 0.4/3.54		
线径范围 (硬线和软线)/Wire Range (rigid and flexible) (AWG/mm²)	26~12 / 0.2~4 (sol&str)		
剥线长度/Stripping length (mm)	8~9		
使用温度范围/Operating temperature (°C)	-40~+105		
符合 RoHS 环保要求/Conform to RoHS	Yes		

5	Grounding	Copper alloy	Sn plated
4	Cage	Copper alloy	Ni plated
3	Current Carrier	Copper	Sn plated
2	Screw	Copper alloy	Ni plated
1	Housing	PA66	UL94V-0
ITEM	NAME OF PART	MATERIAL	NOTES

DEGSON		MATERIAL:	SURFACE/COLOR:	
APPD: Peng M	2024.01.30	MAT NO./REV: 11020000275-1 / 00.01	MAT STATUS: 批量	
CHKD: Gao WG	2024.01.30	NAME		
DRFT: Deng L	2024.01.30	DC2.5-PE-Cu-01P-1C-00A(H)		
④	A4	DRAWING NO. 200152206	TYPE CUSTOMER DRAWING	DRAWING STATUS 已发布
			SCALE 2:1	SHEET 1/1

REV	ECN	DESCRIPTION	DRFT	DATE
01		Add explosion-proof certification lettering	Deng L	2024.01.30