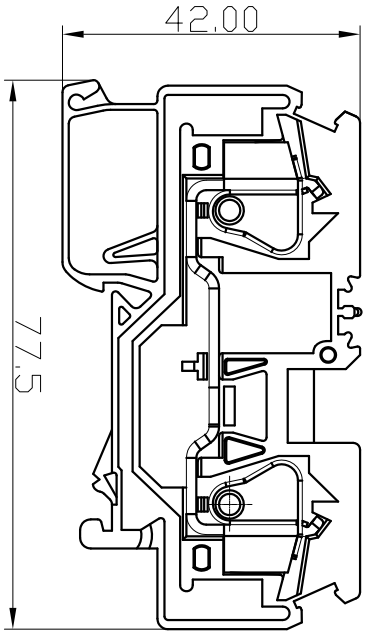
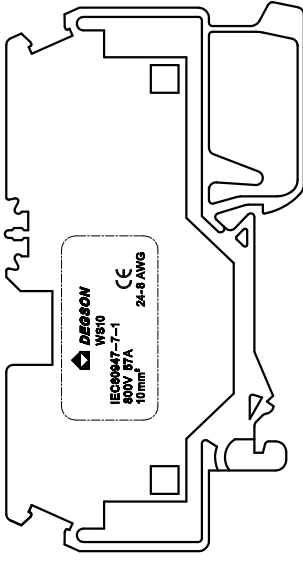


REVISION RECORD				
REV	ECN	DESCRIPTION	DRFT	DATE



- NOTES:
- UL Standard
 - 1.Rated voltage/current : 600V / 50A
 - 2.Withstanding voltage : AC2200V/1Min.
 - 3.Wire range : 24~8AWG

IEC Standard

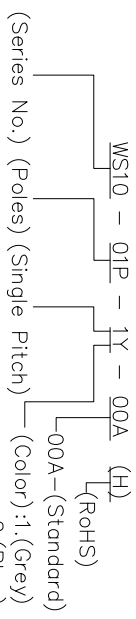
1. Pollution degree	3
Overvoltage category	III
Rate impulse voltage(KV)	8.0KV
Rate voltage(V)	800 V
Rate current(A)	57 A

2. Wire range : 0.2~10mm²

- NOTES2:
- 1.Dimension shall be interpreted per ASME Y14.5-2009
 - 2.Pitch : 10.0mm, Poles : 01P
 - 3.Stripping length : 13~14mm
 - 4.Operating temperature: -40°C~+105°C
 - 5.Undimensioned tolerances:

Pitch range	In mm		Nominal dimension range		±	D	
	Over	TO	Over	Over			
6	10	10	30	100	0.1/10		
10	10	24	30	100	150	<	
±0.15	±0.20	±0.30	±0.30	±0.50	±0.70	±1.00	±1.30

6.RoHS Compliance



- 1.(Grey)
- 2.(Blue)
- 3.(Black)
- 4.(Green)
- 5.(Orange)
- 6.(Red)
- 7.(Transparent)
- 8.(Yellow)
- 9.(White)

DETACHED LISTS			
PART NO.:	/	NAME:	DEGSON [®] NINGBO DEGSON ELECTRICAL CO., LTD 宁波高松电子有限公司
APPD:	/	TITLE:	CUSTOMER DRAWING
CHKD:	/	DRAWING NO.:	/
DRFT:	/	REV	DO
THIRD ANGLE PROJECTION		SHEET	1/1
		SCALE	1:1