

Data sheet

Commercial Art.No.: 56.399.0255.0

Feed-through terminal RFK 1 / 240 FK S35/V0

Feed-through terminal with Screw connection for mounting on TS 35/7,5 mm, nominal cross section: 240 mm², width: 42 mm, color: grey



Commercial Art.No.	56.399.0255.0
EAN	4015573598614
Order Unit	10

Certificates / Approvals



Technical data

General

Nominal cross section	240 mm ²
Color	Grey
Number of levels	1
Number of clamp positions per level	2
Width/grid dimension	42 mm
Insulating housing	PA666
Inflammability class of insulation material acc. with UL94	V0
Explosion-tested version "Ex e"	No
Mounting method	DIN rail (top hat rail) 35/7.5 mm
Terminal blocks for electrical installations	No

Technical data

Rated current	415 A
Rated voltage	1000 V
Rated impulse voltage	8 kV
Pollution degree	3
Closing plate required	No
Type of insulation material	Thermoplastic
Length	102 mm

Connection Data

Connection type 1	screw connection
Connection type 2	screw connection
Minimum cross section fine stranded	70 mm ²
Maximum cross section fine stranded	240 mm ²
Minimum cross section stranded	70 mm ²
Maximum cross section stranded	240 mm ²
Wire strip length	27 mm

Torque conductor mounting	14 Nm
---------------------------	-------

Technical Data UL/CSA

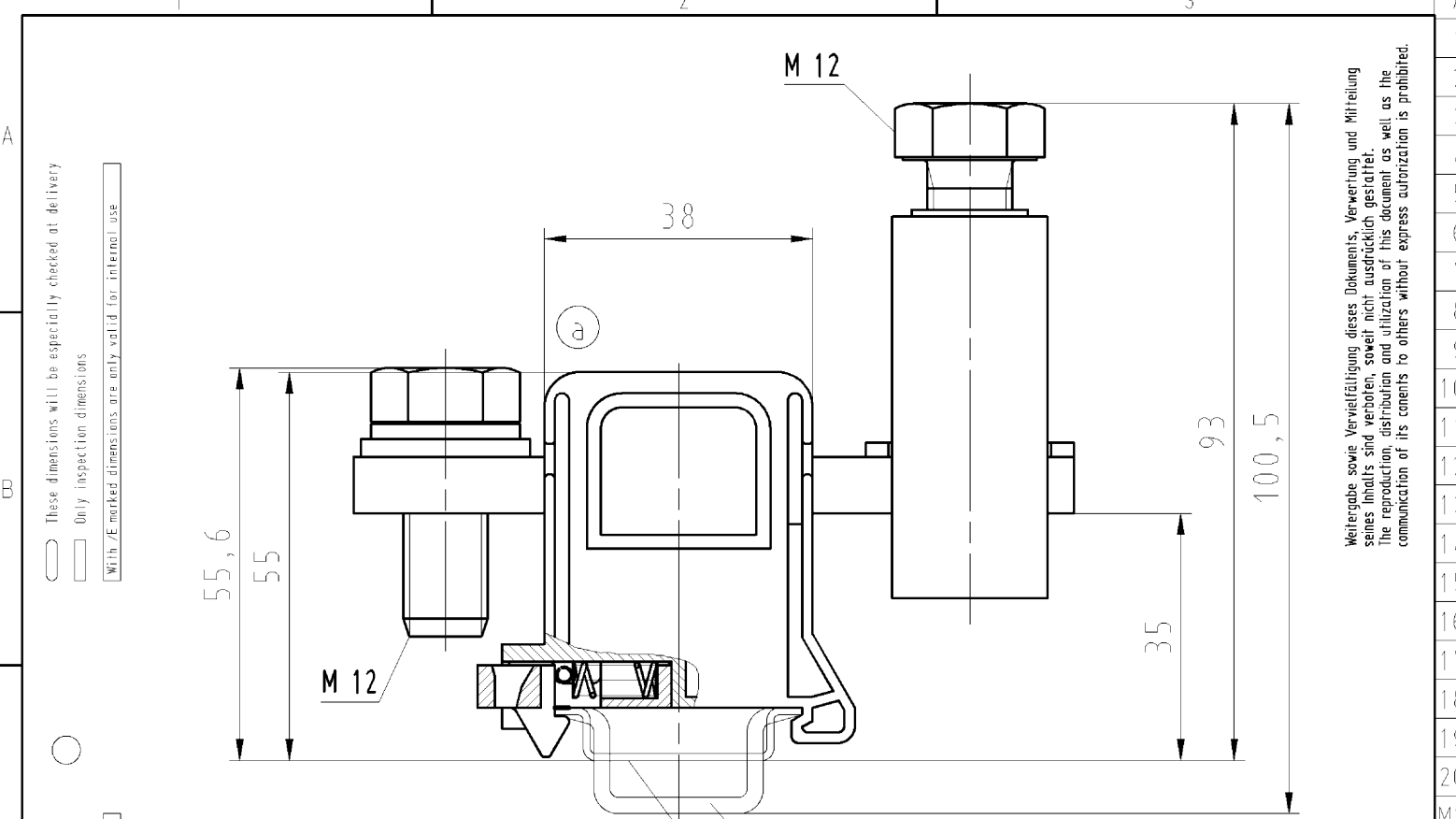
Cross section UL	0 AWG-500 kcmil
Voltage UL	600 V
Current factory wiring	375 A
Current field wiring	375 A
Cross section CSA	3/0 AWG-500 kcmil
Voltage CSA	600 V
Current CSA	425 A

Classification

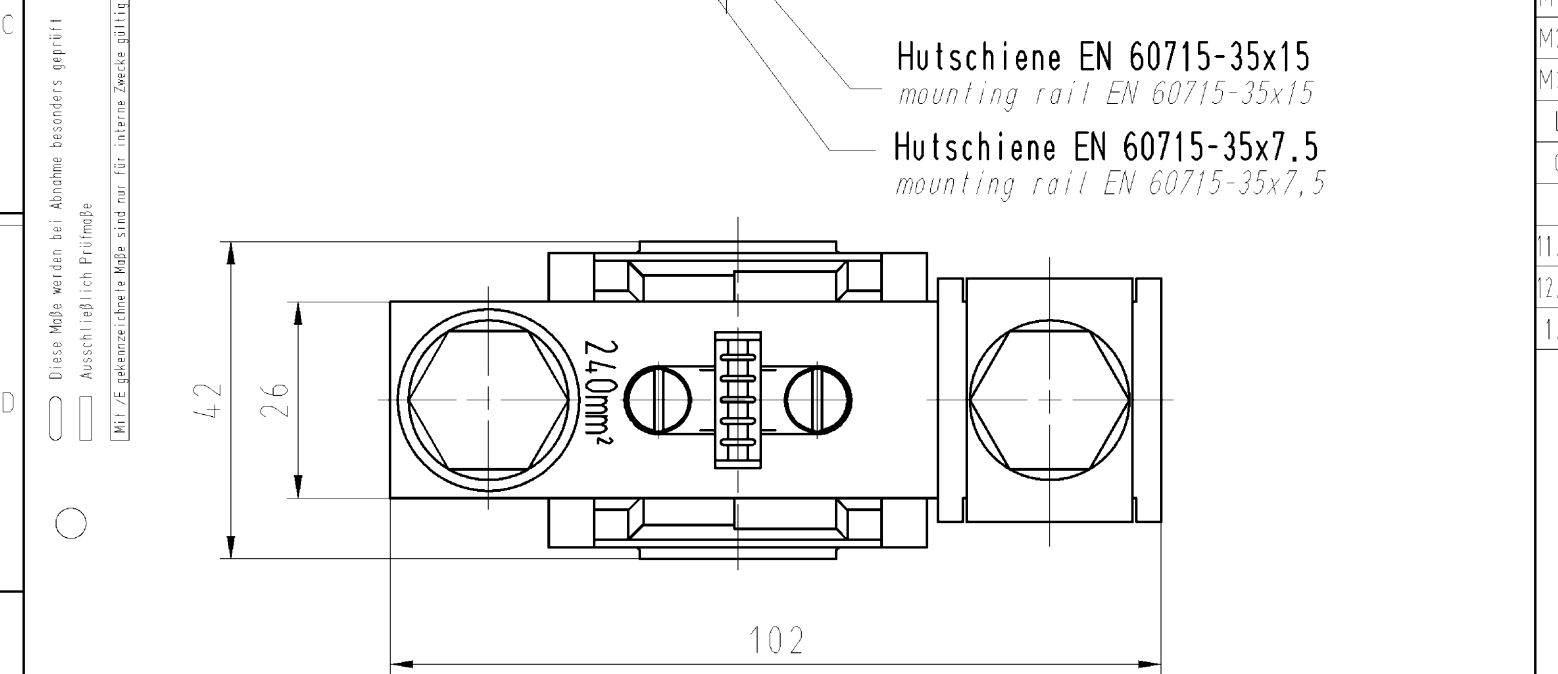
ECLASS 11	
ECLASS 8.1	27141120
ETIM 7.0	EC000897
ETIM 6.0	EC000897
ETIM 5.0	EC000897
ETIM 4.0	EC000897
ETIM 3.0	EC000897

Product compliance

ROHS conformity status	Compliant/Exempted
ROHS exceptions	III-6(c)
REACH-SVHC conformity status	Duty-To-Declare
REACH-SVHC substances	Lead
REACH-SVHC CAS numbers	7439-92-1



Hutschiene EN 60715-35x15
mounting rail EN 60715-35x15
 Hutschiene EN 60715-35x7.5
mounting rail EN 60715-35x7,5



Weitere Daten siehe Katalog
further data see catalog

Tolerierung Size ISO 14405(Ⓒ)/Tolerance system Size ISO 14405(Ⓒ).
 (This ISO-standard describes the envelope principle. According to the envelope principle the deviations of form and parallelism are limited by the size tolerances).

ja/yes Stoffverbots- und Deklarationsliste nach UU-TQM-05/03 ist einzuhalten.
 Conformity with Wieland document UU-TQM-05/03 (list of prohibited / declarable hazardous substances) to be declared!

Freitoleranz nach DIN ISO 2768 - m

CAD - Zeichnung, keine manuellen Änderungen
 CAD - drawing, no manual modifications allowed

1.Verwendung: -
 First Use:

Blatt: 1 von 1
 Sheet: 1 of 1

	/		Werkstoff/Material	2003	Tag/Date	Name	Zeichnung Nr./Drawing No.	Index	
	/			gezeichnet drawn	22.04.	Schneiderb.			56.399.0255.0 01K a
	/	Maßstab/Scale	mm ³ Oil./Surf. mm ²	geprüft checked	-	-	Maße in mm/Dimensions are in mm		
	/			1:1	Normgepr. Stand., check		-		Ersatz für/Replacement for: -
	/	Vol.	mm ³ Oil./Surf. mm ²		Type		Benennung/Tittle		
a	28.08.2012/		wieland		REIHENFLACHKLEMME		terminal		
Index	Datum / Blatt Date / Sheet								Elektrische Verbindungen
Änderung/Revision									

Weitergabe sowie Vervielfältigung dieses Dokuments, Verwertung und Mitteilung seines Inhalts sind verboten, soweit nicht ausdrücklich gestattet. Die Reproduktion, Distribution und Utilization of this document as well as the communication of its contents to others without express authorization is prohibited.

563990255001K_2 CADWZ036_treschan 2012-08-28T14:08:59 1.000