

## Data sheet

Commercial Art.No.: 96.032.2153.0

Device connector RST20I3F S2 M03V GL

RST20i3 device connector M16, 3 pole, male, spring clamp connection, modular, application 250V with PE, 20A, coding color light grey, color of housing light grey



Commercial Art.No.	96.032.2153.0
EAN	4015573895386
Order Unit	1

Certificates / Approvals



LR

RINA



## Technical data

### General

Rated current	20 A
Rated voltage	250 V
Pollution degree	3
Rated impulse voltage	4 kV
Lockable	self-locking (unlocking by tool)
Color of coding/ contact carrier	light grey
Marking of poles	L, N, PE
Color of separate adapter (if present)	light grey

### Connection Data

Connection cross section solid mm <sup>2</sup> max.	2.5 mm <sup>2</sup>
Connection cross section solid mm <sup>2</sup> min.	0.5 mm <sup>2</sup>
Connection cross section solid AWG min.	20 AWG
Connection cross section solid AWG max.	14 AWG
Connection cross section fine stranded mm <sup>2</sup> max.	1.5 mm <sup>2</sup>
Connection cross section fine stranded mm <sup>2</sup> min.	0.5 mm <sup>2</sup>
Terminations per pole	2
Wire strip length	14.5 mm
Connection cross section stranded AWG min.	20 AWG
Connection cross section stranded AWG max.	16 AWG

### Model

Model	male
Connection type	spring clamp connection
Connecting thread metric	M16

Angle of plug	straight
Degree of protection (IP)	IP66/68 (3m;2h) /IP69
Thickness of housings (electrical device) 2	0.5 mm
Thickness of housings (electrical device)	8 mm

#### Material

Housing material	Polyamide
halogen free	yes
Contact material	CuZn
Fire load	0.177 kWh
Insulation components continuous temperature	100 °C
Surface finish	Silver-plated

#### Dimensions

Length	68.3 mm
Width	34.6 mm
Height	34.6 mm

#### Classification

ECLASS 11	
ECLASS 8.1	27440602
ETIM 7.0	EC002566
ETIM 6.0	EC002566
ETIM 5.0	EC002566
ETIM 4.0	EC002566

#### Note

Note	Fine stranded and stranded conductors require cable end sleeve; Positioning realised with flattened thread
------	---

#### Product compliance

ROHS conformity status	Compliant/Exempted
ROHS exceptions	III-6(c)
REACH-SVHC conformity status	Duty-To-Declare
REACH-SVHC substances	Lead
REACH-SVHC CAS numbers	7439-92-1

#### Accessories

Commercial Art.No.:	Article-type description:	Description:
06.502.4300.0	screwdriver DIN 5264 A 0,4 X 2,5	Screw driver according to DIN 5264 A, blade: 0.4x2.5 mm, long and straight version
95.101.1300.0	ferrule crimping tool 0,08 - 10 mm <sup>2</sup>	Crimping tool for ferrules, wire strip length: 7-28 mm, nominal cross section: 0,08-10 mm <sup>2</sup> , length of tool: 180 mm
06.600.3627.0	ferrules DIN 46228-E1-12	RST end sleeve, for spring clamp contact, with insulating sleeve, for cross section 1.0 mm <sup>2</sup> /AWG17
06.600.3727.0	ferrules DIN 46228-E0,75-12	RST end sleeve, for spring clamp contact, with insulating sleeve, for cross section 0.75-1.0 mm <sup>2</sup> /AWG17

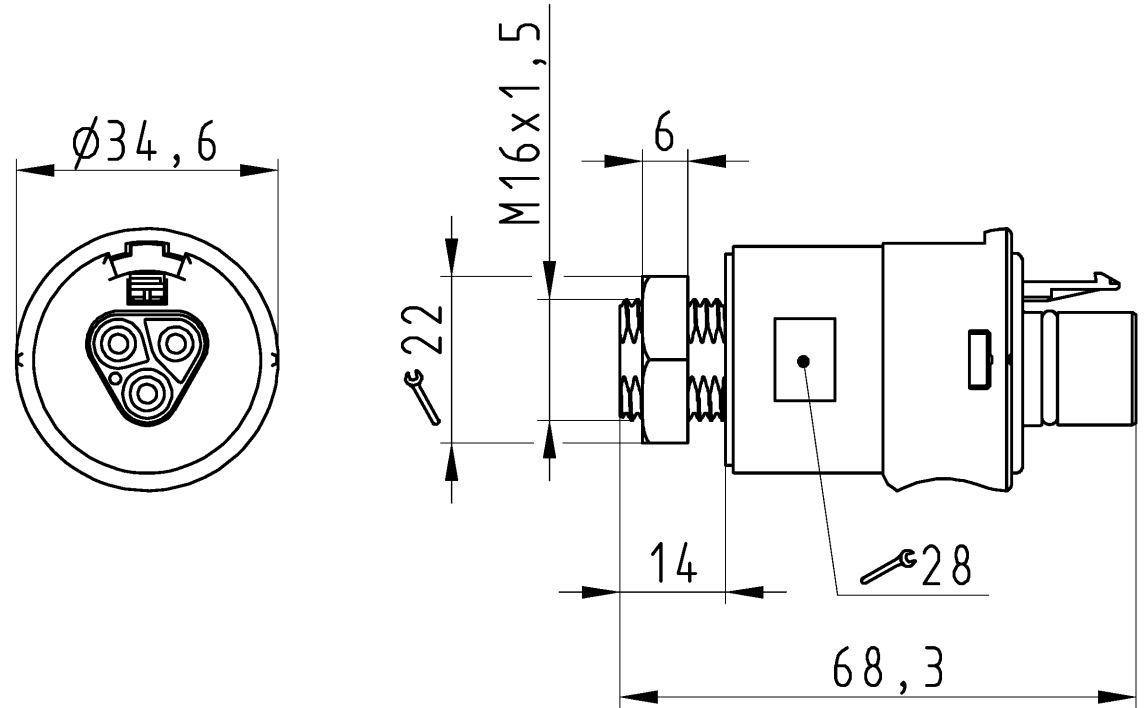
06.600.3827.0	ferrules DIN 46228-E0,5-10	RST end sleeve, for spring clamp contact, with insulating sleeve, for cross section 0.5 mm <sup>2</sup> /AWG20
06.600.3927.0	ferrules DIN 46228-E1,5-12	RST end sleeve, for spring clamp contact, with insulating sleeve, for cross section 1.5 mm <sup>2</sup> /AWG16
05.564.4453.0	Cover for male connector GL	RST20i3/2 cover piece, for covering unused male connectors, color light grey
99.415.6205.2	Cover for male connector GL	RST20i3/2 cover piece, for covering unused male connectors, with fastening belt, color light grey

### Fits with

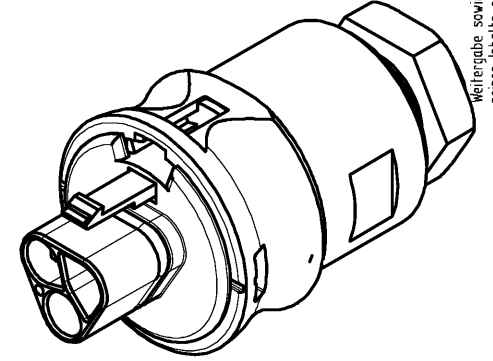
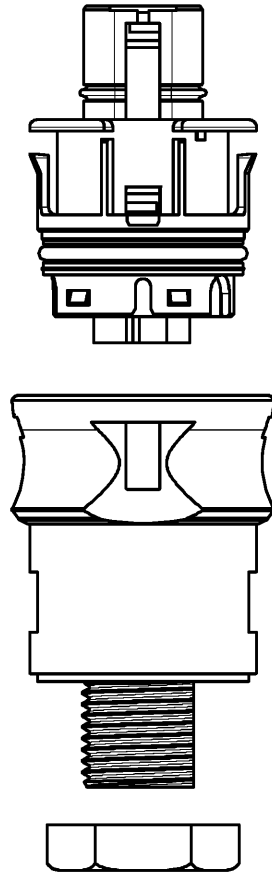
Commercial Art.No.:	Article-type description:	Description:
96.031.0053.0	Connector RST20i3F B2 ZR1 GL	RST20i3 connector, 3 pole, female, spring clamp connection, application 250V with PE, 20A, for cable diameters 6-10mm, coding color light grey, color of housing light grey
96.031.0153.0	Connector RST20i3F B2 ZR2 GR	RST20i3 connector, 3 pole, female, spring clamp connection, application 250V with PE, 20A, for cable diameters 10-14mm, coding color light grey, color of housing light grey
96.033.0053.0	Connector RST20i3F B2 YR1 GL	RST20i3 connector (90° angled), 3 pole, female, spring clamp connection, application 250V with PE, 20A, for cable diameters 6-10mm, coding color light grey, color of housing light grey
96.033.0153.0	Connector RST20i3F B2 YR2 GL	RST20i3 connector (90° angled), 3 pole, female, spring clamp connection, application 250V with PE, 20A, for cable diameters 10-14mm, coding color light grey, color of housing light grey
96.031.0253.0	Connector RST20i3F B2 ZRX GL	RST20i3 splitter connector, 3 pole, female, spring clamp connection, application 250V with PE, 20A, for cable diameters 6-10mm, coding color light grey, color of housing light grey
96.031.0353.0	Connector RST20i3F B2 ZRY GL	RST20i3 splitter connector, 3 pole, female, spring clamp connection, application 250V with PE, 20A, for cable diameters 10-14mm, coding color light grey, color of housing light grey

These dimensions will be especially checked at delivery  
 Only inspection dimensions  
 With /E marked dimensions are only valid for internal use

Diese Maße werden bei Abnahme besonders geprüft  
 Ausschließlich Prüfmaße  
 Mit /E gekennzeichnete Maße sind nur für interne Zwecke gültig



**Auslieferungszustand**  
 delivery status



Verpackungseinheit: je 100 Stück  
 packaging unit: per 100

96.032.2153.1	RST2013F S2 M03V SW	schwarz /black
96.032.2153.0	RST2013F S2 M03V GL	lichtgrau /lightgrey
Bestellnummer /Order number	Typ /Type	Farbe /color
<b>Weitere Daten siehe KATALOG oder eKatalog.</b> Additional data see CATALOG or eCatalog.		<b>www.wieland-electric.com</b> eshop.wieland-electric.com

Öffnungsbild siehe 96.031.2153.1 14K  
 opening dimension see 96.031.2153.1 14K

Tolerierung Size ISO 14405 (Tolerance system Size ISO 14405). (This ISO-standard describes the envelope principle. According to the envelope principle the deviations of form and parallelism are limited by the size tolerances).		ja/yes <input checked="" type="checkbox"/> Stoffverbots- und Deklarationsliste nach WN 5020.010 ist einzuhalten. Conformity with Wieland document WN 5020.010 e (list of prohibited / declarable hazardous substances) to be declared!	
Freitoleranz nach General tolerance		CAD - Zeichnung, keine manuellen Änderungen CAD - drawing, no manual modifications allowed	1. Verwendung: - First Use:
Blatt: 1 von 1 Sheet: of 1		Zeichnung Nr./Drawing No. <b>96.032.2153.0 13K</b>	
Maßstab/Scale <b>1:1</b>		Name HoffmannT	
Vol. mm <sup>3</sup> Of l./Surf. mm <sup>2</sup>		Ersatz für/Replacement for: -	
www.wieland-electric.com		Type Benennung/Title <b>STECKERTEIL</b> male connector	
Index	Datum / Blatt Date / Sheet		
Änderung/Revision			

Weitergabe sowie Vervielfältigung dieses Dokuments, Verwertung und Mitteilung seines Inhalts sind verboten, soweit nicht ausdrücklich gestattet.  
 The reproduction, distribution and utilization of this document as well as the communication of its contents to others without express authorization is prohibited.