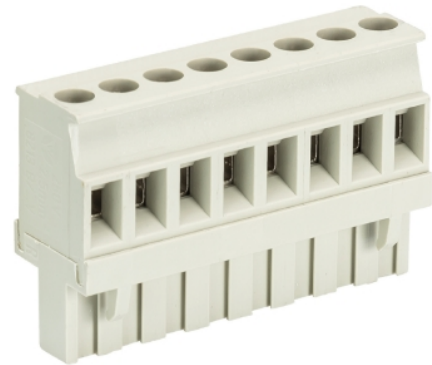


## Data sheet

Commercial Art.No.: 25.345.3653.0

PCB connector 8213 B / 6 VR OB

PCB female connector with screw connection with rising cage clamp system, 6 poles, max. cross section: 2.5 mm<sup>2</sup>, pitch: 5.08 mm, type of packing: carton, color: grey



Commercial Art.No.	25.345.3653.0
EAN	4015573191204
Order Unit	50

Certificates / Approvals



## Technical data

### General

Modular spacing	5.08 mm
Connection type	screw connection
Soldering process	None
Packaging	Carton
Number of poles	6
Marking	No
Fastening	None
Mating direction towards connector	90°

### Technical data

Nominal cross section	2.5 mm <sup>2</sup>
Rated current	12 A
Overvoltage Category I	1000 V
Overvoltage Category II	400 V
Overvoltage Category III	250 V
Rated impulse voltage	4 kV
Wire strip length	6 mm

### Connection Data

Minimum cross section solid	0.14 mm <sup>2</sup>
Maximum cross section solid	2.5 mm <sup>2</sup>
Minimum cross section fine stranded	0.14 mm <sup>2</sup>
Maximum cross section fine stranded	2.5 mm <sup>2</sup>
Wire strip length	6 mm

### Technical Data UL/CSA

Cross section UL	22-12 AWG
Voltage UL	300 V
Current field wiring	15 A
Current factory wiring	15 A
Cross section CSA	22-12 AWG
Voltage CSA	300 V
Current CSA	15 A

#### Other

Type of insulation material	Thermoplastic
Color	Grey
Height	26 mm
Length	30.48 mm
Depth	12.6 mm
Material attachment screw	CuSn/Steel
Material contact base	CuSn
Material contact surface	Sn

#### Classification

ECLASS 11	
ECLASS 8.1	27440402
ETIM 7.0	EC002637
ETIM 6.0	EC002637
ETIM 5.0	EC002637
ETIM 4.0	EC002637

#### Product compliance

ROHS conformity status	Compliant/Exempted
ROHS exceptions	III-6(c)
REACH-SVHC conformity status	Duty-To-Declare
REACH-SVHC substances	Lead
REACH-SVHC CAS numbers	7439-92-1

#### Fits with

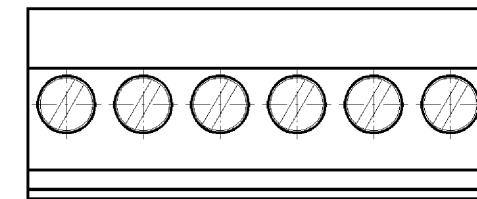
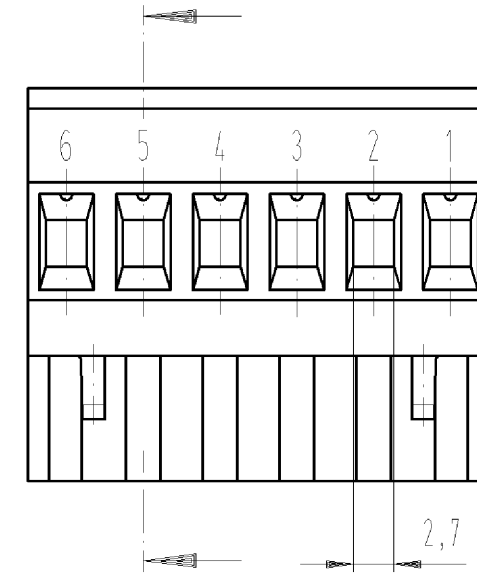
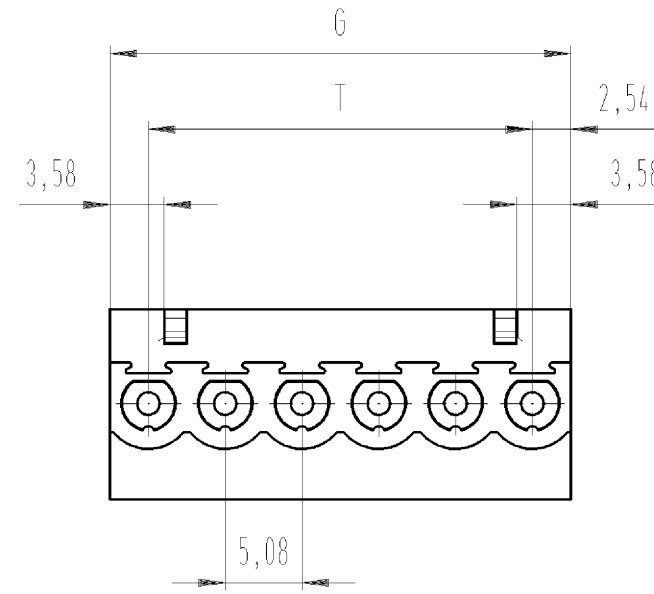
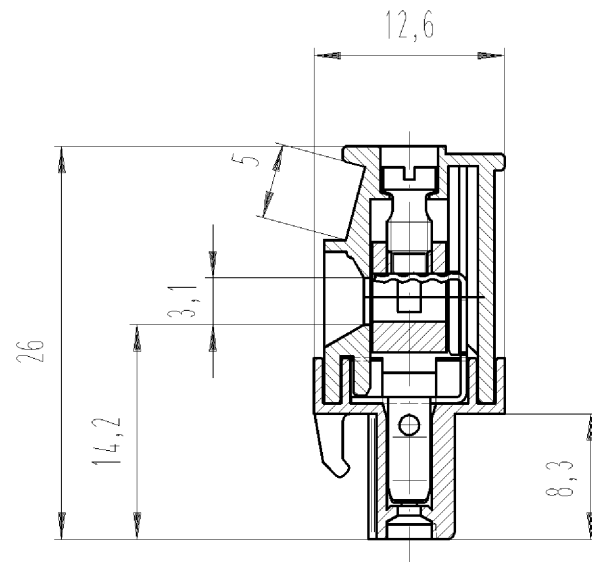
Commercial Art.No.:	Article-type description:	Description:
25.352.3653.0	PCB pin header 8213 S / 6 W OB	PCB pin header, connection method depends on used socket part , 6 poles, pitch: 5.08 mm, type of packing: carton, color: grey
25.350.3653.0	PCB pin header 8213 S / 6 G OB	PCB pin header, connection method depends on used socket part , 6 poles, pitch: 5.08 mm, type of packing: carton, color: grey
99.206.9996.2	PCB pin header 8213 S / 6 W OB OF	PCB pin header, connection method depends on used socket part , 6 poles, pitch: 5.08 mm, type of packing: carton, color: white
99.236.9996.1	PCB pin header 8213 S / 6 G OB OF	PCB pin header, connection method depends on used socket part , 6 poles, pitch: 5.08 mm, type of packing: carton, color: black
25.396.3653.0	PCB pin header 8213 S / 6 S OB	PCB pin header, connection method depends on used socket part , 6 poles, pitch: 5.08 mm, type of packing: carton, color: grey
27.356.0653.0	PCB pin header 8213 SEG/ 6/12 W OB	PCB pin header, 6 poles, pitch: 5.08 mm, type of packing: carton, color: grey

26.350.3606.0	PCB pin header 8213 S / 6 G OF OB THR	PCB pin header, connection method depends on used socket part , 6 poles, with solder pin (2.6mm, tin plated), pitch: 5.08 mm, type of packing: carton, color: black, This product can be soldered by reflow and wave soldering,
25.350.3606.0	PCB pin header 8213 S / 6 G OB THR	PCB pin header, connection method depends on used socket part , 6 poles, with solder pin (2.6mm, tin plated), pitch: 5.08 mm, type of packing: carton, color: black, This product can be soldered by reflow and wave soldering,
25.352.3606.0	PCB pin header 8213 S / 6 W OB THR	PCB pin header, connection method depends on used socket part , 6 poles, with solder pin (2.6mm, tin plated), pitch: 5.08 mm, type of packing: carton, color: black, This product can be soldered by reflow and wave soldering,

These dimensions will be especially checked at delivery  
Only inspection dimensions  
With /E marked dimensions are only valid for internal use

Diese Maße werden bei Abnahme besonders geprüft  
Ausschließlich Prüfmaße  
Mit /E gekennzeichnete Maße sind nur für interne Zwecke gültig

Gezeichnet:  
drawn  
25.345.0653.F



.F	Farbe colour	Bedruckung print
.0	grau grey	schwarz black
.1	schwarz black	weiß white

Weitere Daten siehe Katalog  
further data see catalog

Teile-Nummer part number	Pol pole	G	T	Typ type	Teile-Nummer part number	Pol pole	G	T	Typ type
					25.345.1353.F	13	66.04	60.96	8213 B/13 VR
25.345.0253.F	2	10.16	5.08	8213 B/ 2 VR	25.345.1453.F	14	71.12	66.04	8213 B/14 VR
25.345.0353.F	3	15.24	10.16	8213 B/ 3 VR	25.345.1553.F	15	76.20	71.12	8213 B/15 VR
25.345.0453.F	4	20.32	15.24	8213 B/ 4 VR	25.345.1653.F	16	81.28	76.20	8213 B/16 VR
25.345.0553.F	5	25.40	20.32	8213 B/ 5 VR	25.345.1753.F	17	86.36	81.28	8213 B/17 VR
25.345.0653.F	6	30.48	25.40	8213 B/ 6 VR	25.345.1853.F	18	91.44	86.36	8213 B/18 VR
25.345.0753.F	7	35.56	30.48	8213 B/ 7 VR	25.345.1953.F	19	96.52	91.44	8213 B/19 VR
25.345.0853.F	8	40.64	35.56	8213 B/ 8 VR	25.345.2053.F	20	101.60	96.52	8213 B/20 VR
25.345.0953.F	9	45.72	40.64	8213 B/ 9 VR	25.345.2153.F	21	106.68	101.60	8213 B/21 VR
25.345.1053.F	10	50.80	45.72	8213 B/10 VR	25.345.2253.F	22	111.76	106.68	8213 B/22 VR
25.345.1153.F	11	55.88	50.80	8213 B/11 VR	25.345.2353.F	23	116.84	111.76	8213 B/23 VR
25.345.1253.F	12	60.96	55.88	8213 B/12 VR	25.345.2453.F	24	121.92	116.84	8213 B/24 VR

Tolerierung nach DIN 7167/Tolerance system acc. to DIN 7167.  
[This DIN-standard describes the envelope principle. According to the envelope principle the deviations of form and parallelism are limited by the size tolerances].

ja/yes  Stoffverbots- und Deklarationsliste nach UU-TQM-05/03 ist einzuhalten.  
Conformity with Wieland document UU-TQM-05/03 (list of prohibited / declarable hazardous substances) to be declared!

Freitoleranz nach General tolerance CAD - Zeichnung, keine manuellen Änderungen CAD - drawing, no manual modifications allowed 1.Verwendung: - Blatt: 1 von 1 First Use: - Sheet: of 1

gezeichnet drawn	2007	Tag/Date	Name	T	Zeichnung Nr./Drawing No.	Index
geprüft checked		02.04.	Schmitt J.			
Nicht gepr. Stand. check						

Maße in mm/Dimensions are in mm

Werkstoff/Material 2007 Tag/Date Name  
gezeichnet drawn 02.04. Schmitt J.  
geprüft checked  
Nicht gepr. Stand. check

Vol. mm<sup>3</sup> Ofl./Surf. mm<sup>2</sup> Ersatz für/Replacement for: -

wieland Elektrische Verbindungen

Typ Benennung/Title  
8213 B/ 2-24 VR LP\_STECKKLEMME  
m.Steck- und Schraubansch.Rastermaß 5,08/Pitch5,08  
pluggable PCB terminal rising cage clamp system

Änderung/Revision Datum / Blatt Date / Sheet

Weitergabe sowie Vervielfältigung dieses Dokuments, Verwertung und Mitteilung seines Inhalts sind verboten, soweit nicht ausdrücklich gestattet.  
The reproduction, distribution and utilization of this document as well as the communication of its contents to others without express authorization is prohibited.

253452453001K\_4\_CADW1042\_Schnitt 2007-04-02T10:37:20 1.000