

Data sheet

Commercial Art.No.: 27.002.0353.0

Printed circuit board terminal 7572 L4 / 3 OB

PCB terminal, 3 poles, with solder pin (3.5mm), pitch: 10.16 mm, type of packing:
carton, color: grey



Commercial Art.No.	27.002.0353.0
EAN	4015573661936
Order Unit	50

Certificates / Approvals



Technical data

General

Modular spacing	10.16 mm
Connection type	screw connection
Soldering process	Wave soldering
Packaging	Carton
Number of poles	3
Conductor to circuit board	180°
Number of levels	1
Integrated test socket	No
Insulation plate	No
Retaining pins	No
Marking	No

Technical data

Nominal cross section	10 mm ²
Rated current	76 A
Overvoltage Category I	630 V
Overvoltage Category II	400 V
Overvoltage Category III	250 V
Rated impulse voltage	4 kV
Wire strip length	12 mm

Connection Data

Minimum cross section solid	0.5 mm ²
-----------------------------	---------------------

Maximum cross section solid	16 mm ²
Minimum cross section fine stranded	0.5 mm ²
Maximum cross section fine stranded	10 mm ²
Wire strip length	12 mm

Technical Data UL/CSA

Cross section UL	22-8 AWG
Voltage UL	300 V
Current field wiring	10 A
Current factory wiring	40 A
Cross section CSA	22-8 AWG
Voltage CSA	300 V
Current CSA	10 A

Other

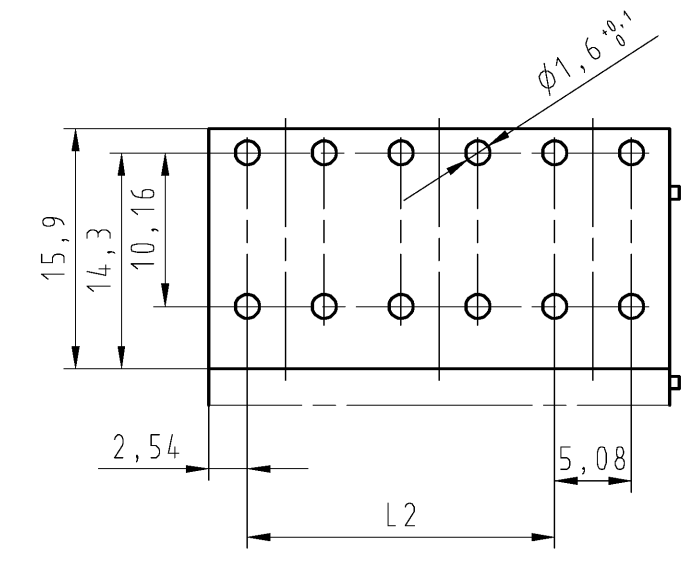
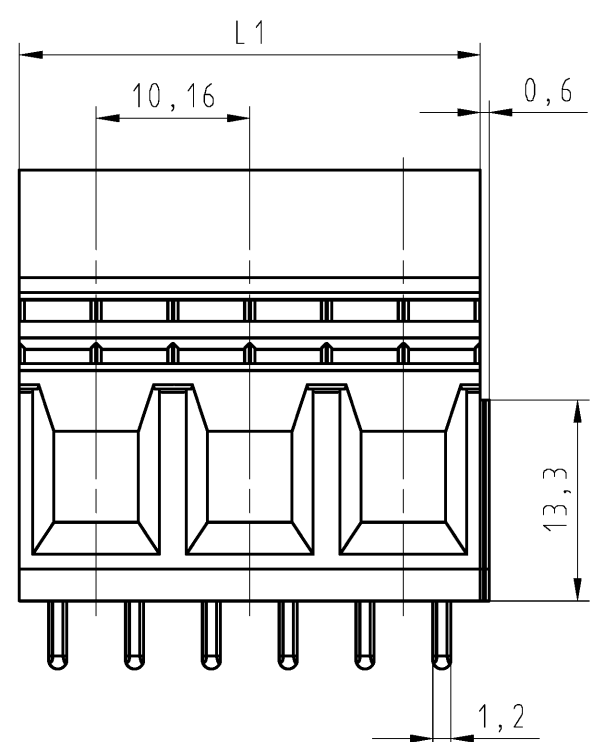
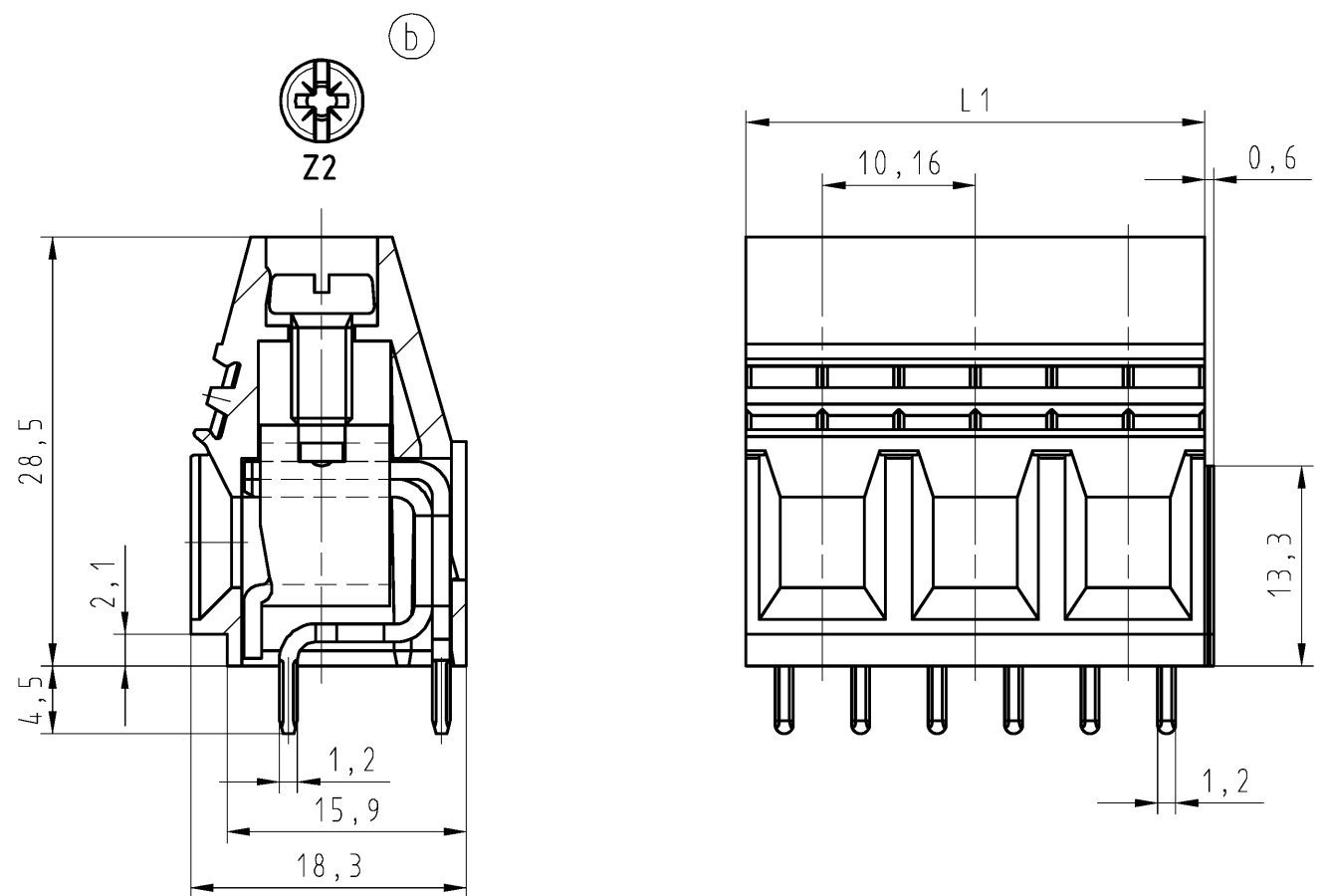
Type of insulation material	Thermoplastic
Color	Grey
Height	28.5 mm
Length	30.48 mm
Depth	18.3 mm
Material attachment screw	Steel
Material contact base	E-Cu
Material contact surface	Sn

Classification

ECLASS 11	
ECLASS 8.1	27440401
ETIM 7.0	EC002643
ETIM 6.0	EC002643
ETIM 5.0	EC002643
ETIM 4.0	EC002643

Product compliance

ROHS conformity status	Compliant
REACH-SVHC conformity status	Compliant



Lochbildtoleranzen nach DIN
IEC 326 Teil 3 sehr fein
drill hole tolerances acc. to DIN
IEC 326 part 3 very fine

gezeichnet/drawn:
27.002.0353.0

Technische Daten
Technical Data

	VDE	UL	CSA
Bemessungsspannung V rated voltage	250	D300 C150	D300 C150
Bemessungsstrom A rated current	57	D10 C65	D10 C65
Anschlußbereich max.mm /AWG connection range	16	6	6
Brennbarkeitsklasse UL 94 V-0 flamability rating UL 94 V-0			
Klemmschraube M4 clamping screw			
Verschmutzungsgrad 3/Überspannungskategorie III pollution degree 3/overvoltage category III			
Kontaktbasismaterial E-Cu 57 F 37 contact basis material			
Diffusionssperre $\geq 3 \mu\text{m Ni}$ diffusion barrier			
Kontaktoberfläche Sn 4-6 μm contact surface			
Isoliermaterial PA66 insulating material			

Weitere Daten siehe Katalog
further data see catalog

Teile-Nr. part no.	Typ type	Polzahl pole	L1	L2
27.002.0253.0	7572 L4 / 2 OB	2	20,32	10,16
27.002.0353.0	7572 L4 / 3 OB	3	30,48	20,32

Tolerierung Size ISO 14405 (E)/Tolerance system Size ISO 14405 (E).
(This ISO-standard describes the envelope principle. According to the envelope principle the deviations of form and parallelism are limited by the size tolerances).

ja/yes Stoffverbots- und Deklarationsliste nach WN 5020.010 ist einzuhalten.
Conformity with Wieland document WN 5020.010 e (list of prohibited / declarable hazardous substances) to be declared!

Freitoleranz nach General tolerance CAD - Zeichnung, keine manuellen Änderungen CAD - drawing, no manual modifications allowed 1.Verwendung: First Use: Blatt: 1 von 1 Sheet: of 1

Werkstoff/Material Farbe: grau, ähnl. RAL 7032 colour: grey, sim. to RAL 7032	2002 gezeichnet drawn 30.04. Bauer F.	Tag/Date Name	T Zeichnung Nr./Drawing No. 27.002.0253.0 01K	Index b
Maßstab/Scale 2:1	geprüft checked	-		
Vol. mm ³	Normgepr. Stand. check	-		

Ersatz für/Replacement for: -

Änderung/Revision
b 14.07.2015/
a 17.05.2006/
Index Datum / Blatt Date / Sheet

wieland
www.wieland-electric.com

Type
Benennung/Title
7572 L4/..
OB
LP_KLEMME
Rastermaß 10,16
PCB-Terminal pitch 10,16