



color: black
pitch: 8,50 mm
certification: CE

1. Material:

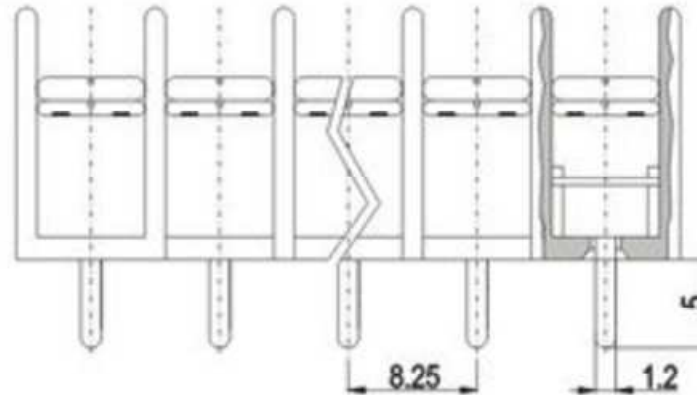
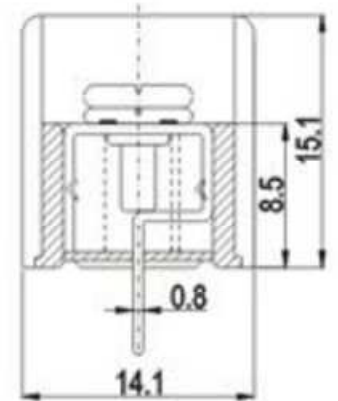
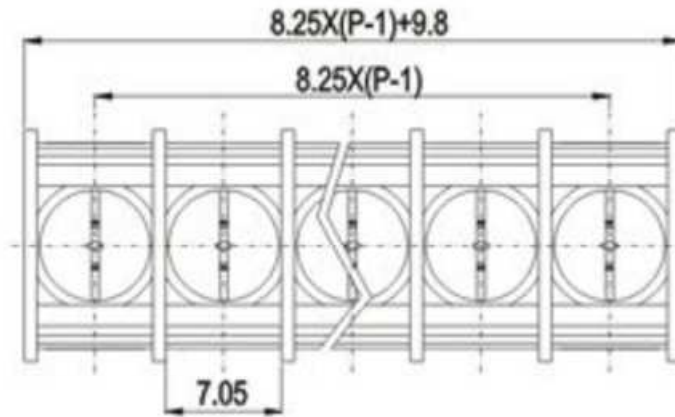
- Terminal Brass 0.8t, Tin-Plated
- Housing : PA66, UL94V-0
- Screw: Steel, M3 Ni-Plated

2. Electrical:

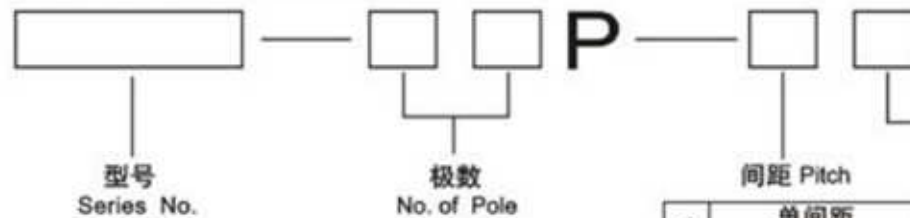
- Rated voltage : 300V
- Rated current : 20A
- Insulation resistance: 500MΩ/DC500V
- Withstanding voltage: AC2000V/1Min

3. Mechanical:

- Temp. range: -40°C...+105°C
- Wire range: 22 – 14 AWG
- Max. Torque value: 0.5N.m 4.4LB.in



HOW TO ORDER



型号
Series No.

极数
No. of Pole

间距 Pitch

颜色 Color

1	单间距
	Single pitch
2	双间距
	Double pitch

1	灰色	Grey
2	蓝色	Blue
3	黑色	Black
4	绿色	Green