

DETAILS

Product Number	CA11266_HEIDI-O
Family	Heidi
Type	Assembly
Color	clear
Diameter	21,6 mm
Height	11,7 mm
Style	round
Optic Material	PMMA
Holder Material	
Fastening	pin, tape
Status	production ready
ROHS Compliant	Yes
Date Updated	8/06/2016



OPTICAL PROPERTIES

LED	Viewing Angle	Light Beam	Efficiency	cd/lm	Connector
XP-G	47+14 deg	Oval	87 %	3.300	-
XP-E	48+10 deg	Oval	87 %	4.100	-
XB-D	54+10 deg	Oval	87 %	3.900	-
XP-E2	54+9 deg	Oval	85 %	4.800	-
XB-H	53+11 deg	Oval	83 %	3.300	-
XQ-E HI	53+7 deg	Oval	90 %	4.500	-
H35C0 (LEMWA33)	sim: 49+12	Oval	sim: 79 %	sim: 3.130	-
LUXEON T	52+12 deg	Oval	81 %	3.200	-
LUXEON TX	54+12 deg	Oval	82 %	3.500	-
LUXEON Z ES	54+9.6 deg	Oval	85 %	3.800	-
LUXEON Z	55+7.5 deg	Oval	87 %	4.900	-
LUXEON C	53+9 deg	Oval	81 %	4.100	-
NCSxx19A	46+12 deg	Oval	82 %	3.300	-
NVSxx19A	50+12 deg	Oval	82 %	3.000	-
NVSxx19B/NVSxx19C	48+15 deg	Oval	82 %	2.700	-
NCSxx19B	55+11 deg	Oval	83 %	3.600	-
Oslon SSL 80	47+8 deg	Oval	83 %	4.100	-
Oslon SSL 150	50+8 deg	Oval	85 %	4.500	-
Oslon Square EC	48+12 deg	Oval	86 %	3.500	-
Oslon Square Gen3	52+13 deg	Oval	80 %	3.670	-
Fortimo FastFlex LED board 2x8/757 DS 53	53+11 deg	Oval	86 %	3.700	-
LH351Z	54+12 deg	Oval	83 %	3.600	-
LH351B	51+13 deg	Oval	84 %	3.000	-
Z5	50+9 deg	Oval	86 %	4.800	-
Z5M1/Z5M2	53+11 deg	Oval	85 %	3.500	-



PRODUCT DATASHEET

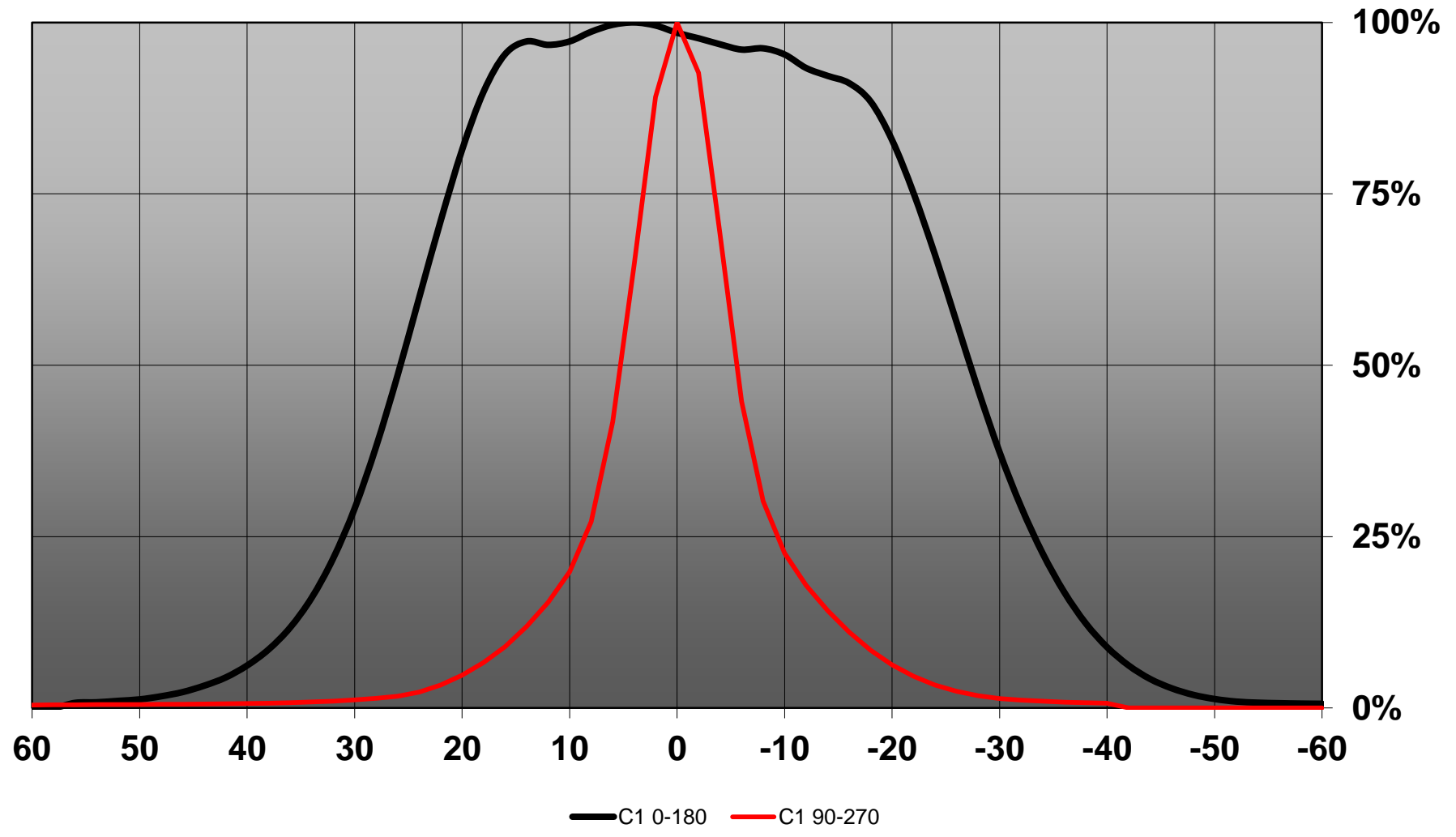
Heidi series

last update 8/6/2016

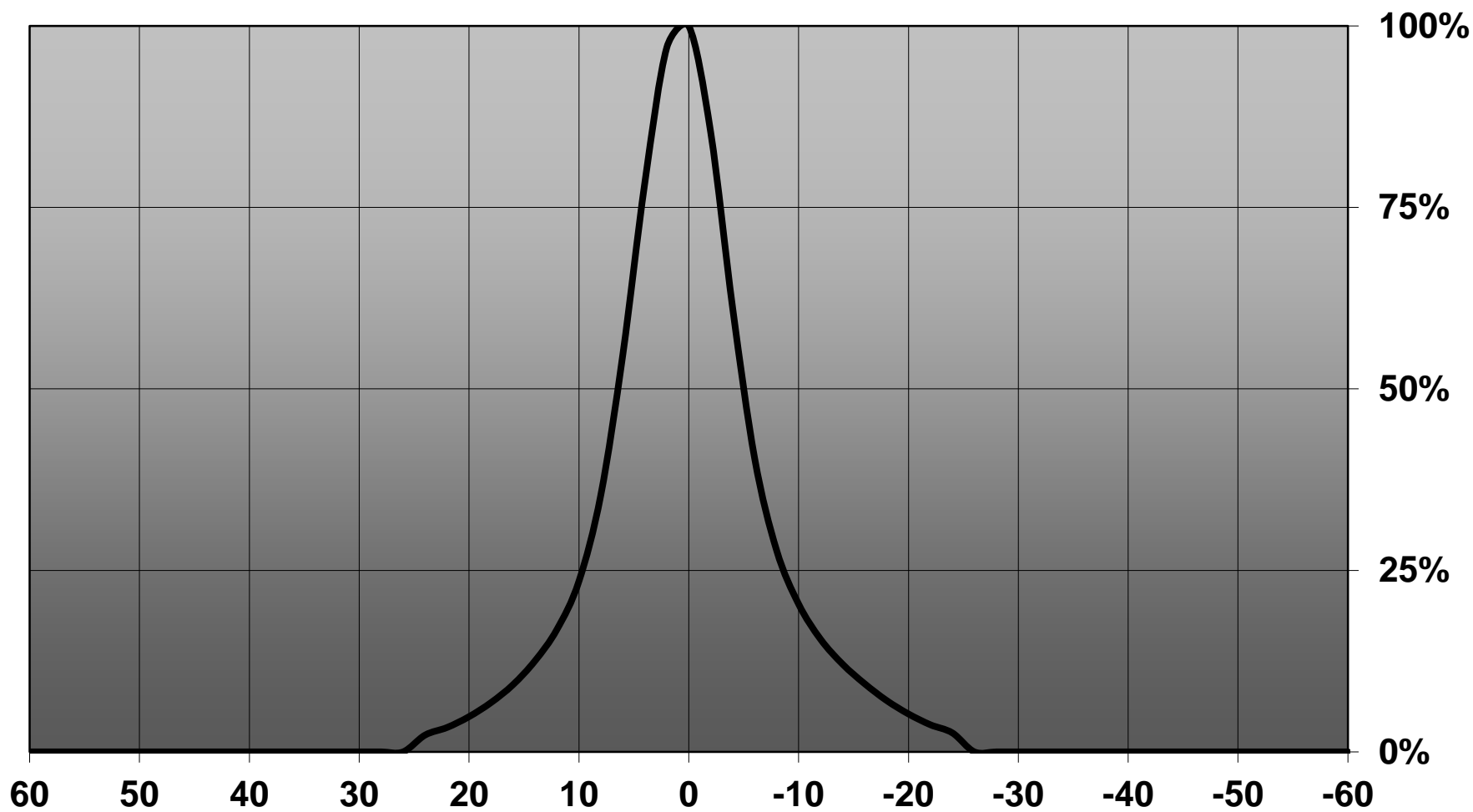
OPTICAL PROPERTIES

LED	Viewing Angle	Light Beam	Effi- ciency	cd/lm	Connector
Double Dome (GM2BB)	50+16 deg	Oval	85 %	2.500	-

Relative intensity of CA11266_HEIDI-O_(XB-H)



Relative intensity of CA11266_HEIDI-O_(Square_Gen3)



D

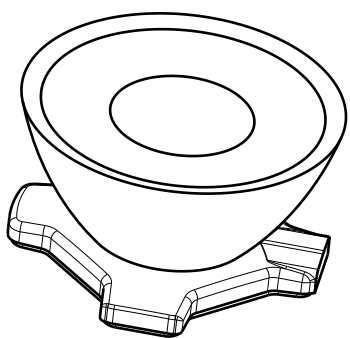
C

B

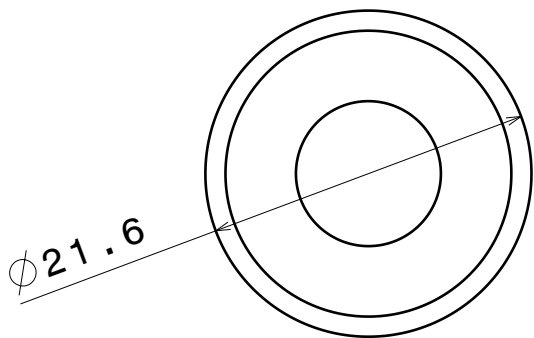
A

4

4



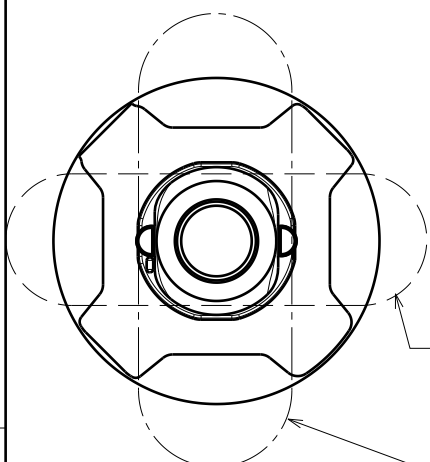
Isometric view



Top view

3

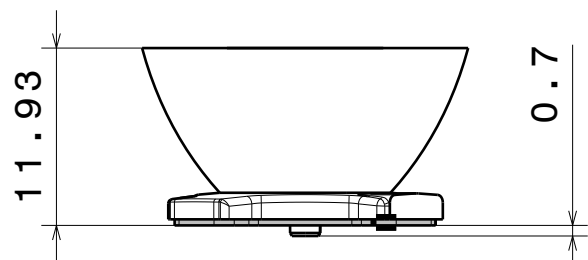
3



Bottom view

Heidi-0

Heidi-0-90



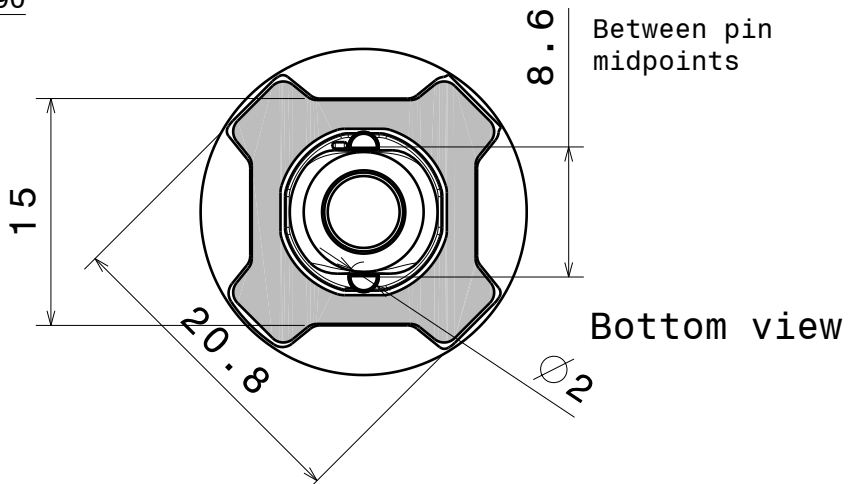
Front view

11.93

0.7

2

2



Bottom view

15

20.8

8.6

Between pin midpoints

12

Material:
 Lens PMMA
 Tape PU Foam

This drawing is our property.
 It can't be reproduced
 or communicated without
 our written agreement.



Ledil Oy
 Salorankatu 10
 FIN-24100 SALO
 Finland

DRAWING TITLE
Datasheet Heidi-0 assy

DRAWN BY
ah

DATE
 24.6.2013

CHECKED BY

DATE

SIZE
A4

DRAWING NUMBER

REV
001

DESIGNED BY

DATE

SCALE **2:1**

WEIGHT (g)

SHEET

1/1

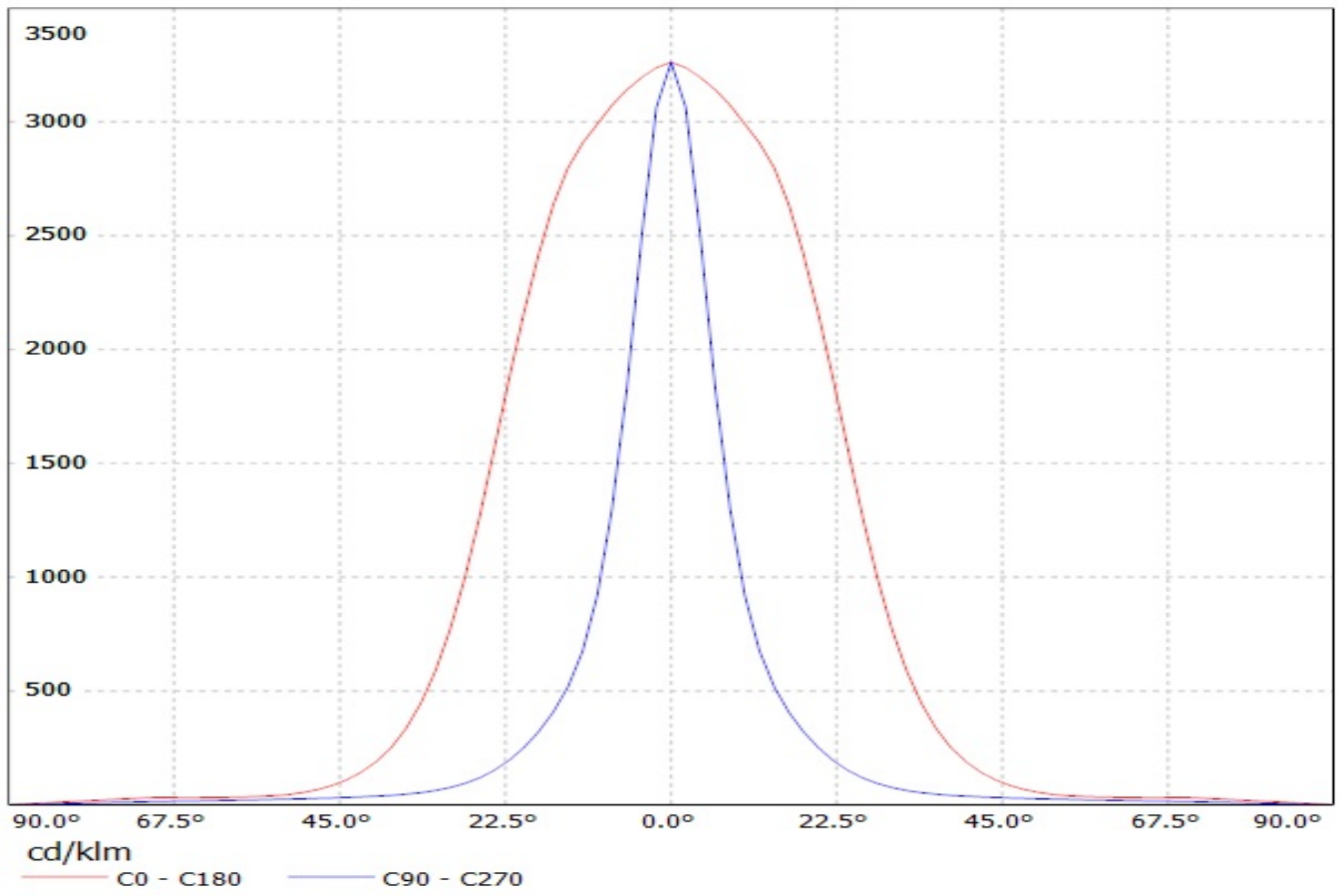
D

A

1

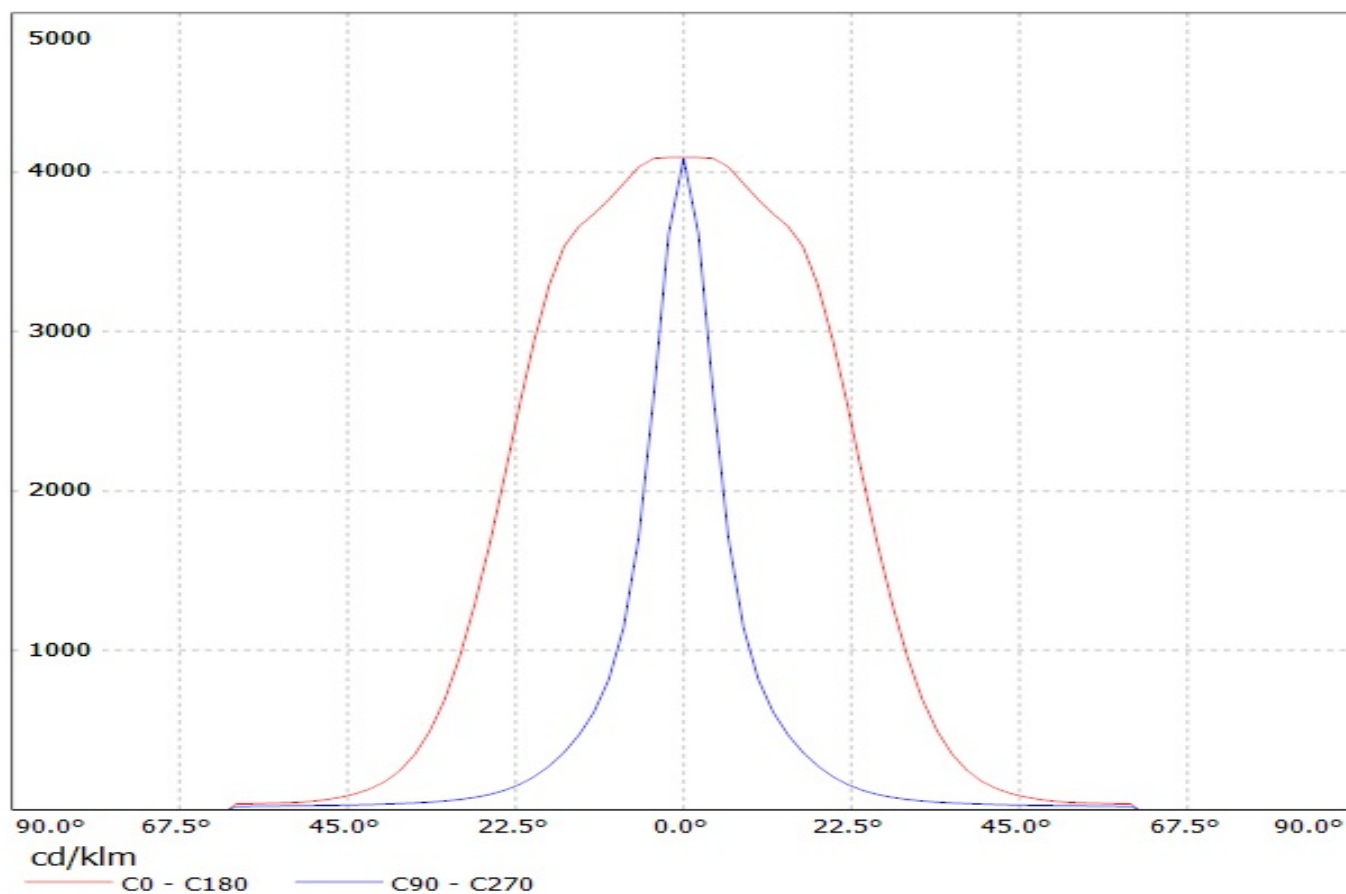
1

Luminaire: Ledil Oy CA11266_Heidi-O-XP-G CA11266_Heidi-O-XP-G
Lamps: 1 x Cree XP-G (White)

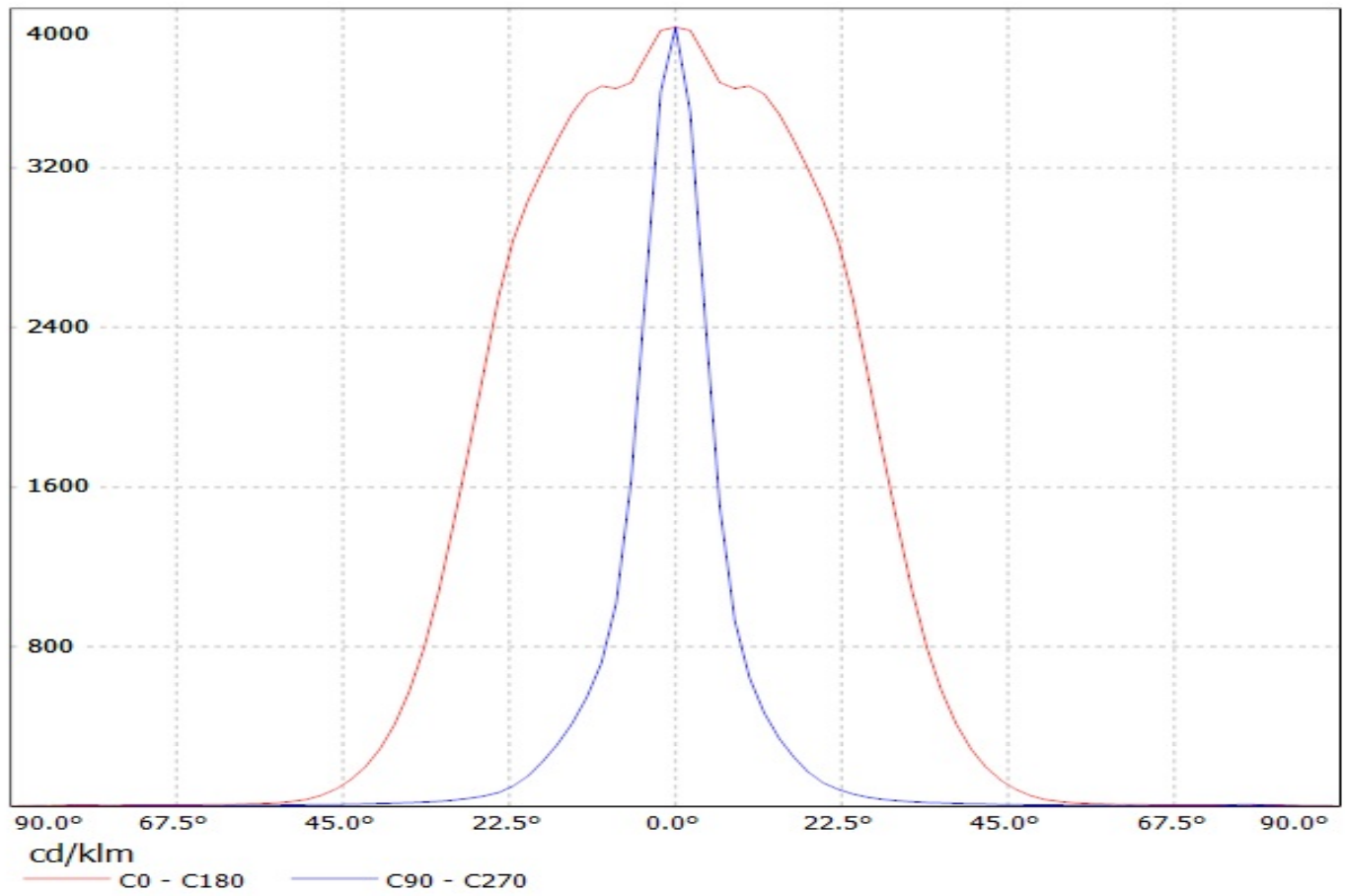


Luminaire: Ledil Oy CA11266_Heidi-O-XP CA11266_Heidi-O (Cree XP-E 76lm @ 250mA) Efficiency=87%

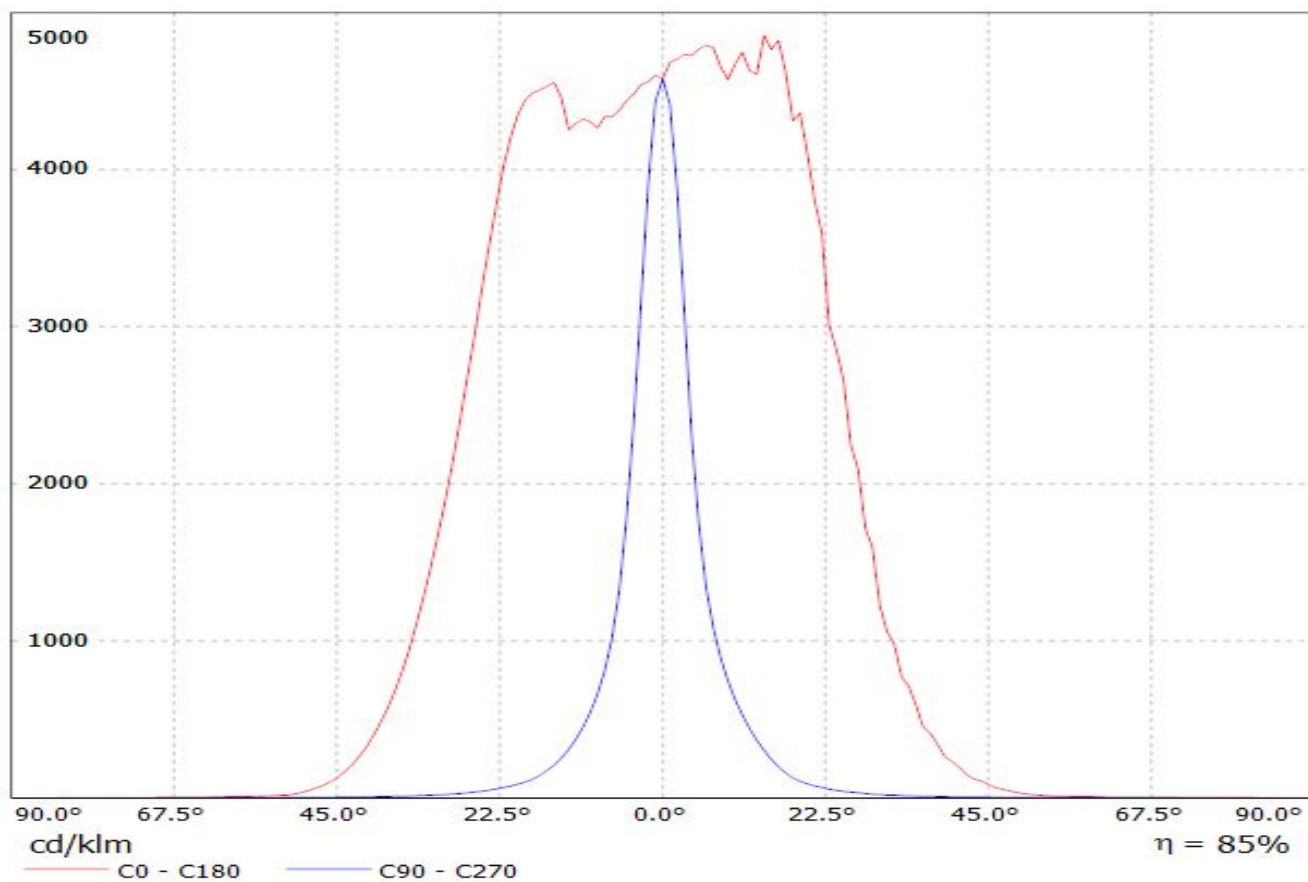
Lamps: 1 x Cree XP-E 76lm @ 250mA (White)



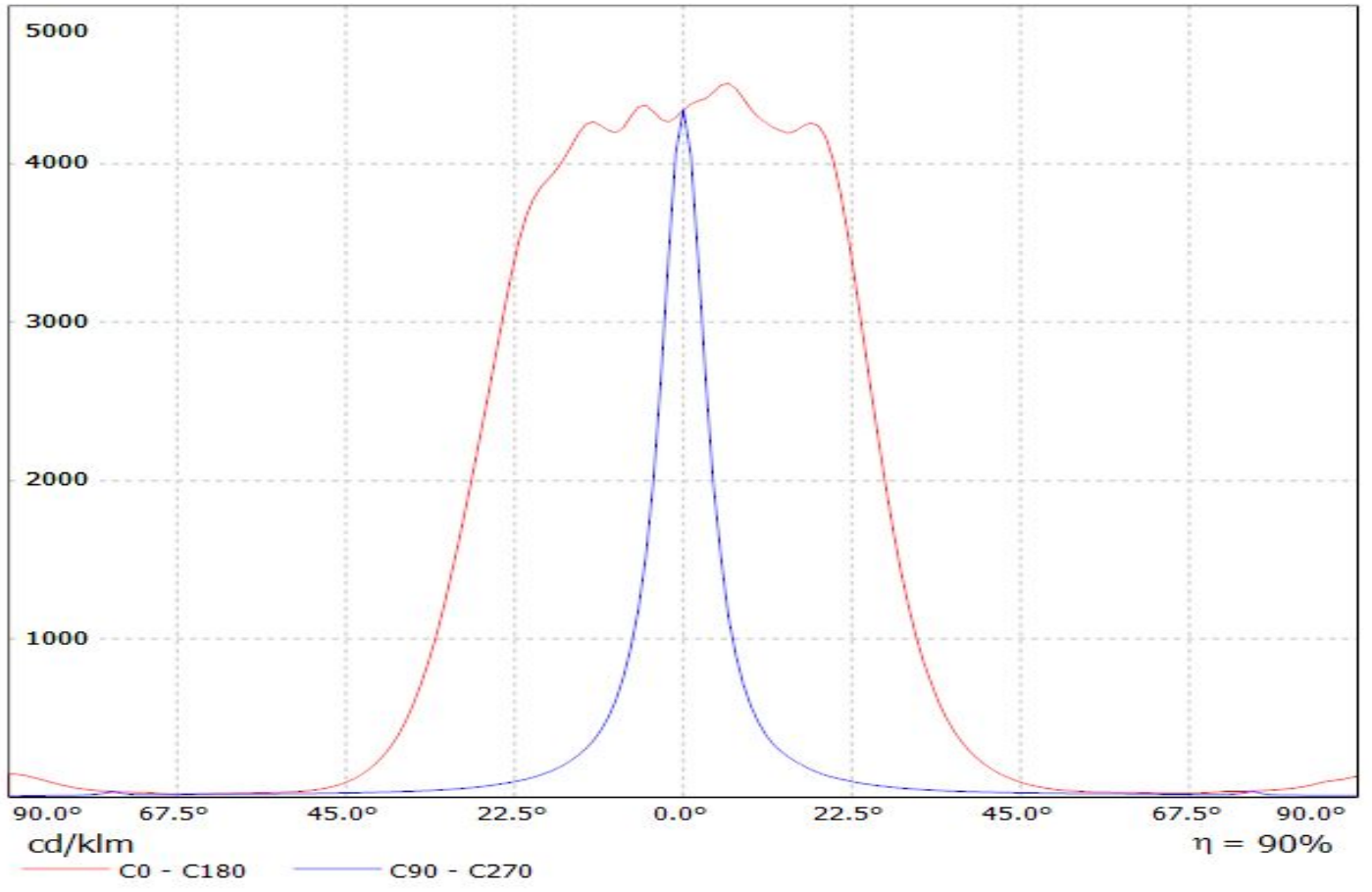
Luminaire: Ledil Oy CA11266_HEIDI-O (Cree XB-D 94lm @ 250mA) Efficiency=87%
Lamps: 1 x Cree XB-D 94lm @ 250mA



Luminaire: LEDiL Oy CA11266_HEIDI-O_(XP-E2) Eff. 85%
Lamps: 1 x Cree XP-E2 92lm@250mA CCT:5500K P:0.8W

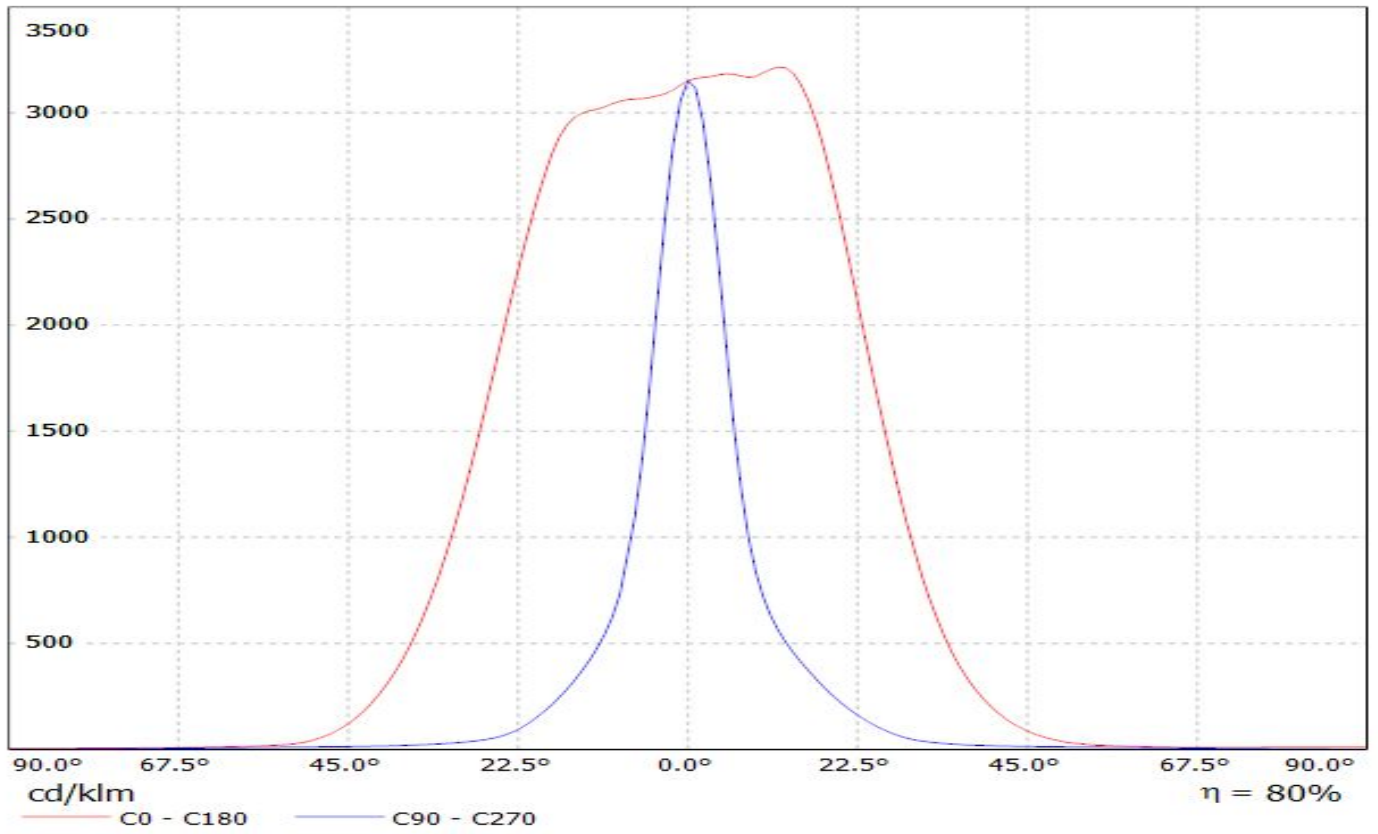


Luminaire: LEDiL Oy CA11266_HEIDI-O_(XQ-E-HI)
Lamps: 1 x Cree_XQ-E_HI_100.602lm@250mA_P=0.744629W_I=0.25A

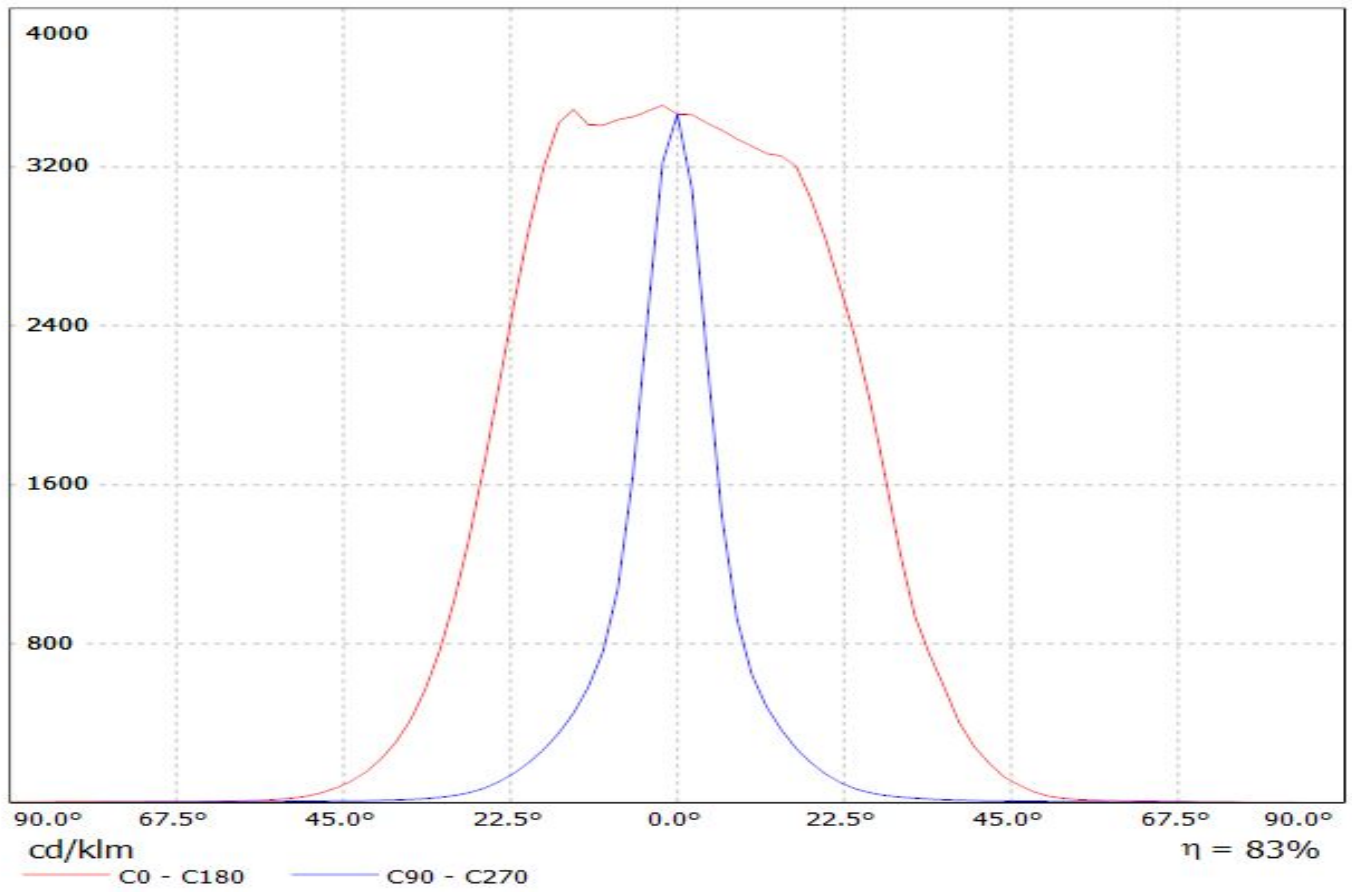


LEDiL Oy CA11266_HEIDI-O_(LUXEON_T)_1 Eff.80.5% / LDC (Linear)

Luminaire: LEDiL Oy CA11266_HEIDI-O_(LUXEON_T)_1 Eff.80.5%
Lamps: 1 x LUXEON T (74lm@250mA)

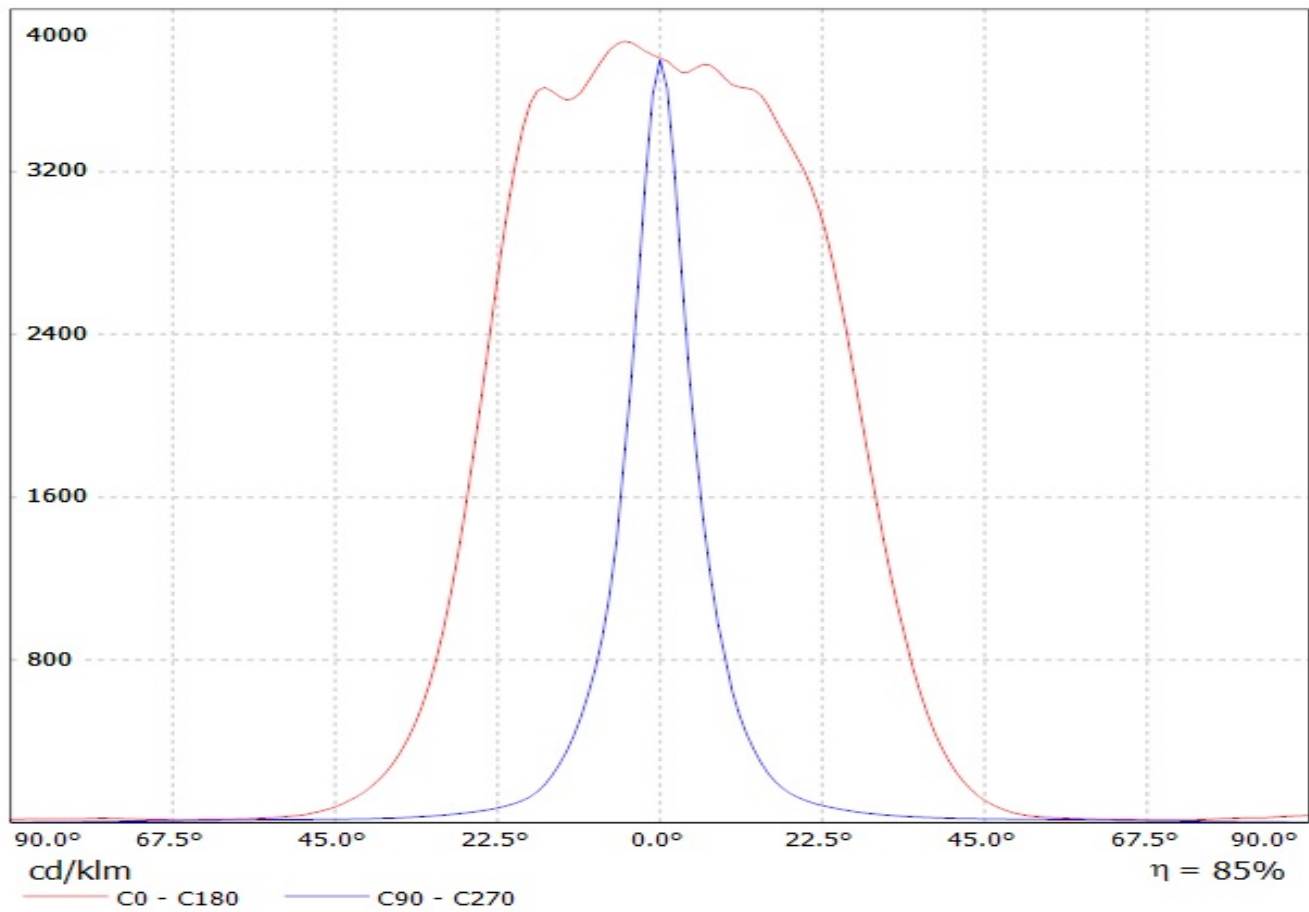


Luminaire: Ledil Oy CA11266_HEIDI-O_(Luxeon_TX) Efficiency= 82%
Lamps: 1 x Luxeon TX (L1T2-3585) 82lm @ 250mA CCT=3521K P=0,73 I=250mA



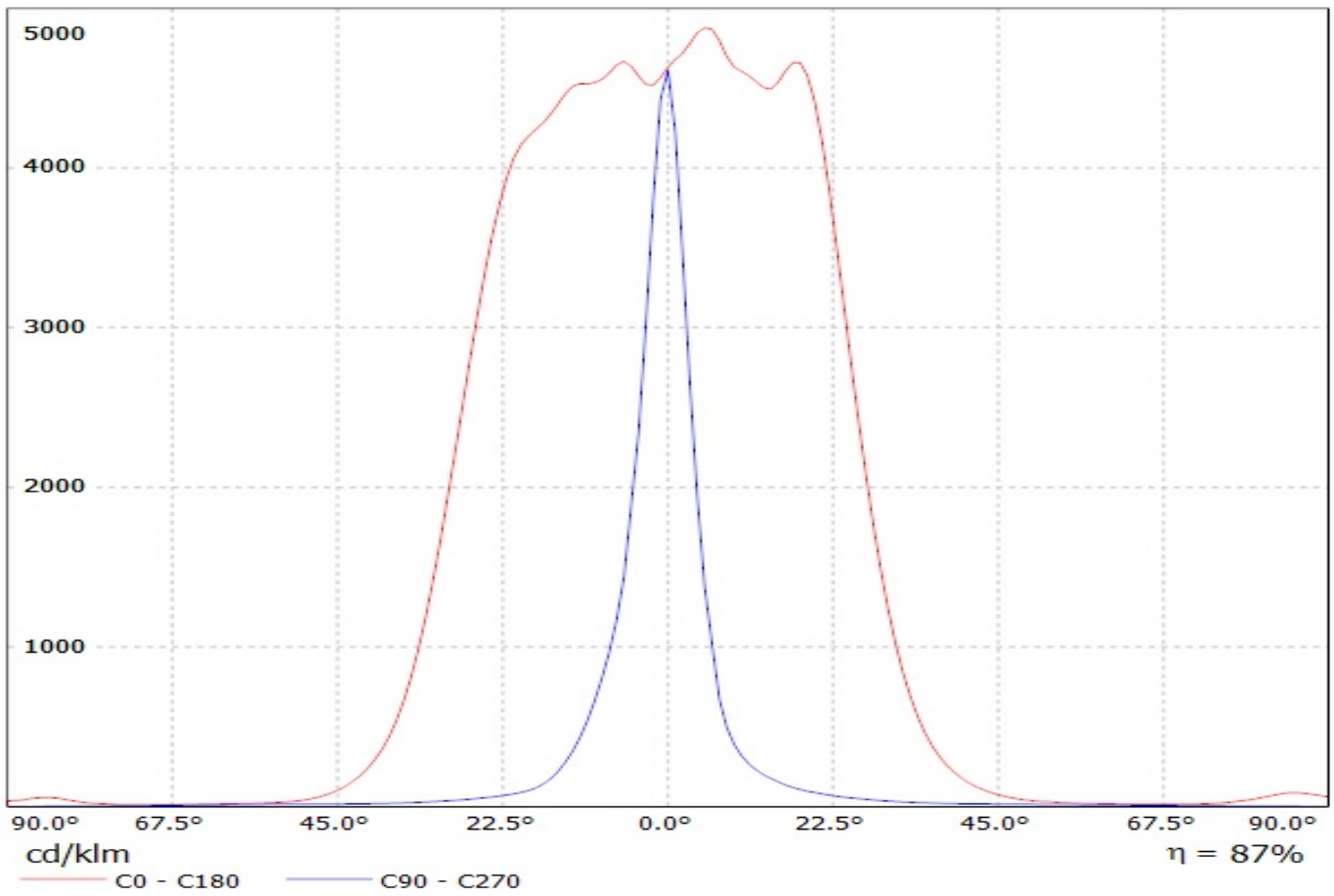
Luminaire: LEDiL Oy CA11266_HEIDI-O (Luxeon_Z_ES)

Lamps: 1 x Philips_Lumileds_Luxeon_Z_ES_(LXZ1-4070-0124)_81.279lm@250mA_P=0.732007W_I=0.2499mA

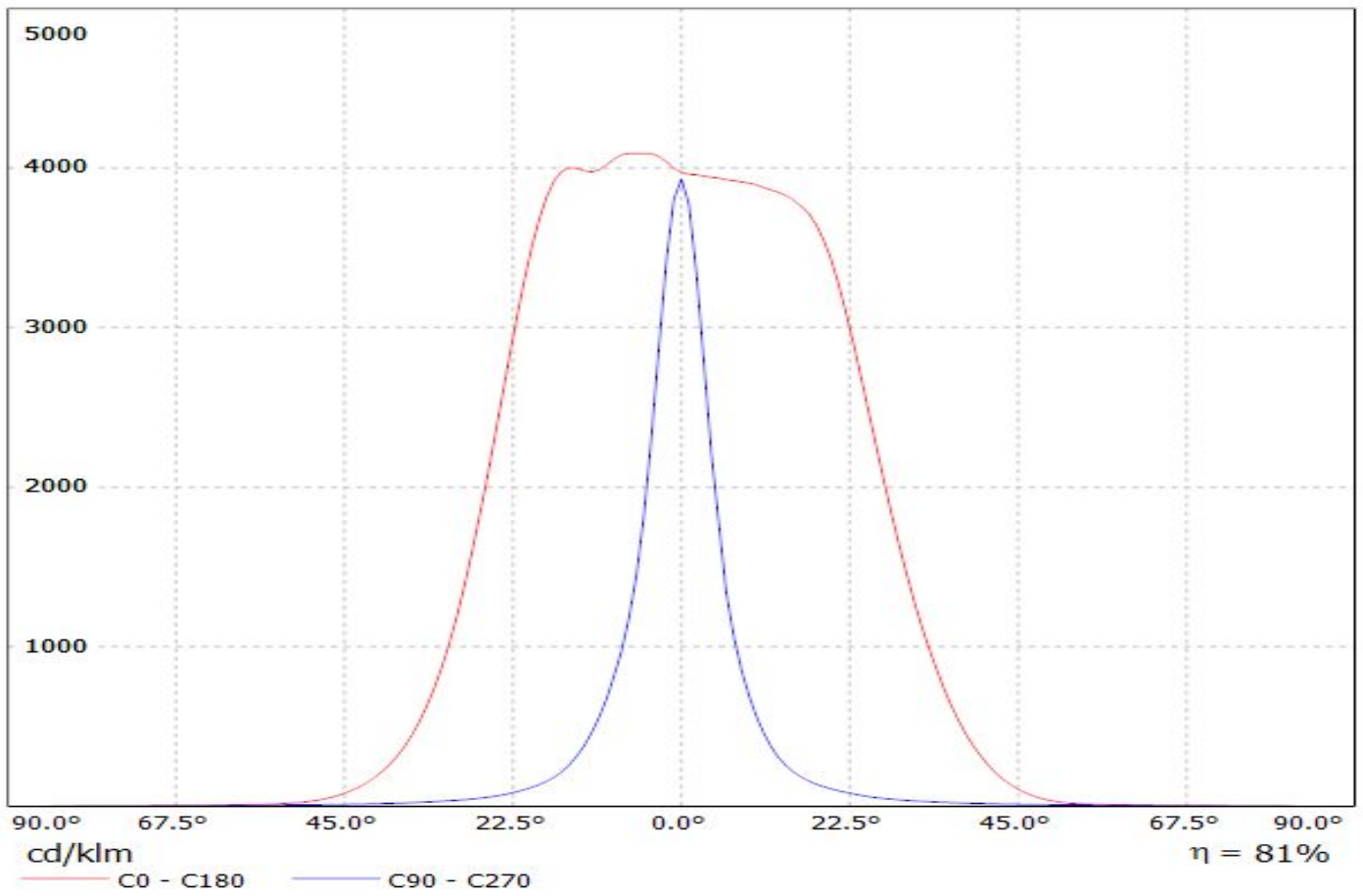


Luminaire: LEDiL Oy CA11266_HEIDI-O_(Luxeon_Z)

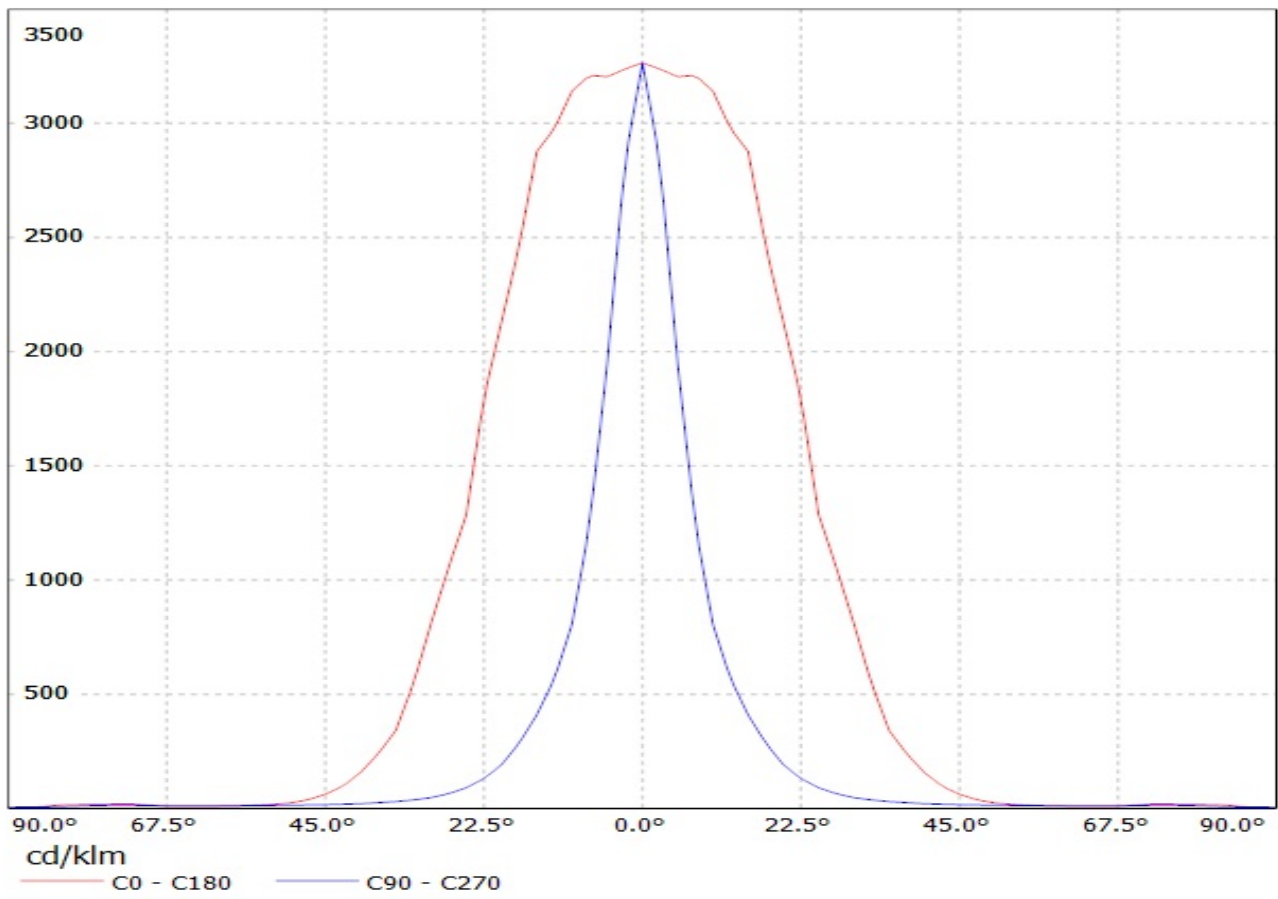
Lamps: 1 x Philips_Lumileds_Luxeon_Z_(LXZ1-4070-0124)_71.9117lm@250mA_P=0.73683W_I=0.2499mA



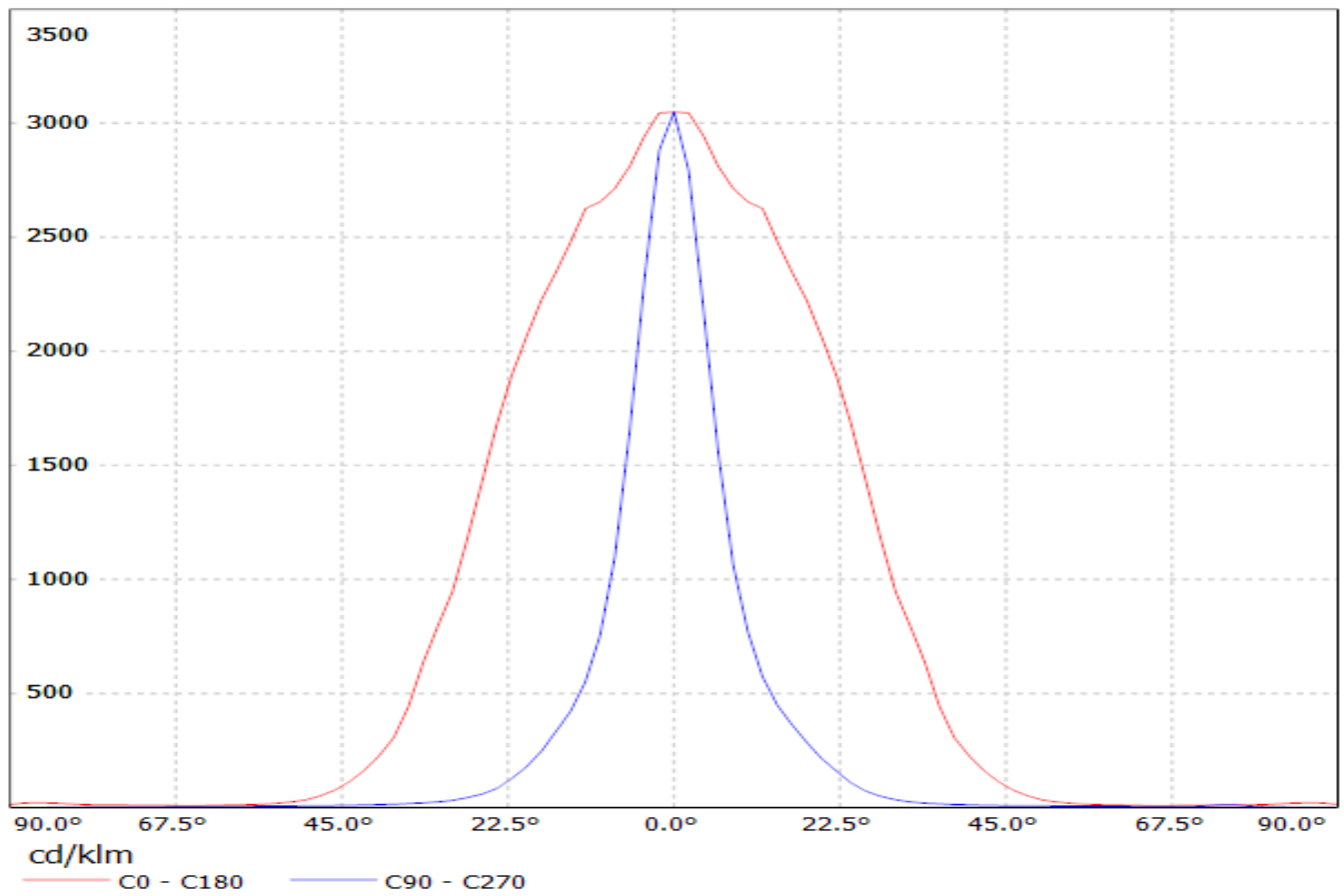
Luminaire: LEDiL Oy CA11266_HEIDI-O_(Luxeon_C_WHITE)
Lamps: 1 x Luxeon_C_WHITE_84.6969lm@250mA_P=0.7410W_I=0.250A



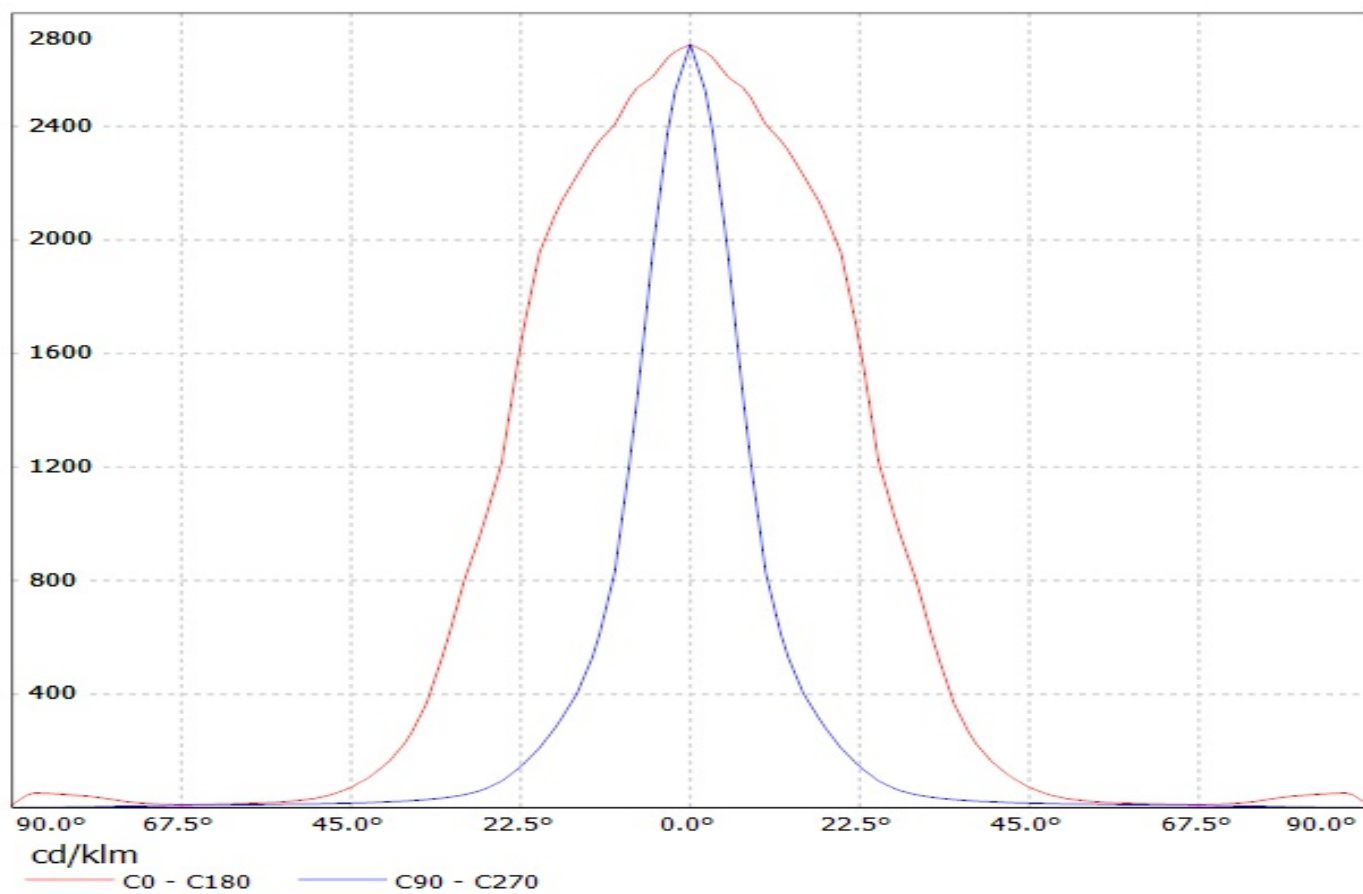
Luminaire: Ledil Oy CA11266_HEIDI-O & CA11267_HEIDI-O (Nichia NCS19 89lm @ 250mA) Efficiency=82%
Lamps: 1 x Nichia NCS19 89lm @ 250mA



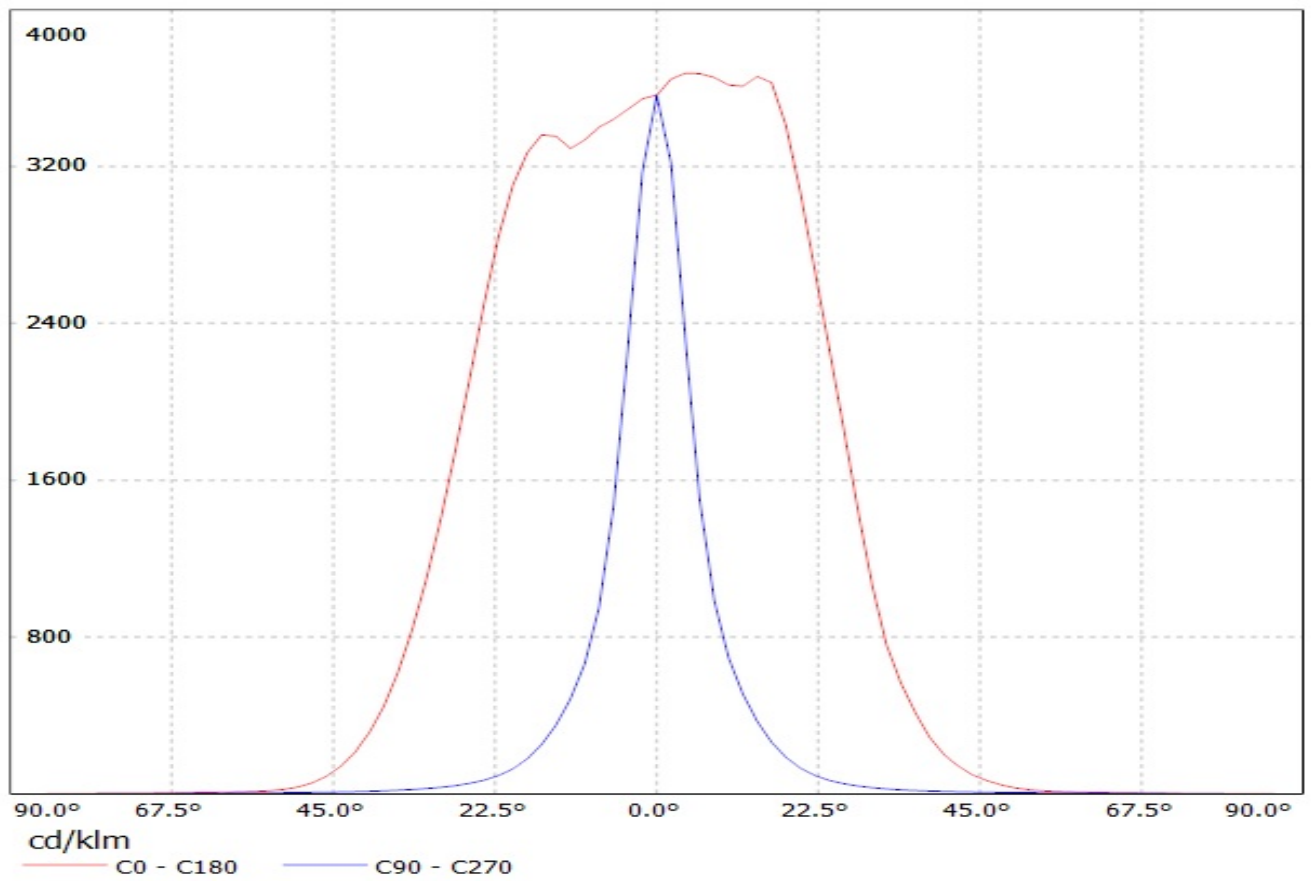
Luminaire: Ledil Oy CA11266_HEIDI-O (Nichia NVS19 98lm @ 250mA) Efficiency=82%
Lamps: 1 x Nichia NVS19 98lm @ 250mA



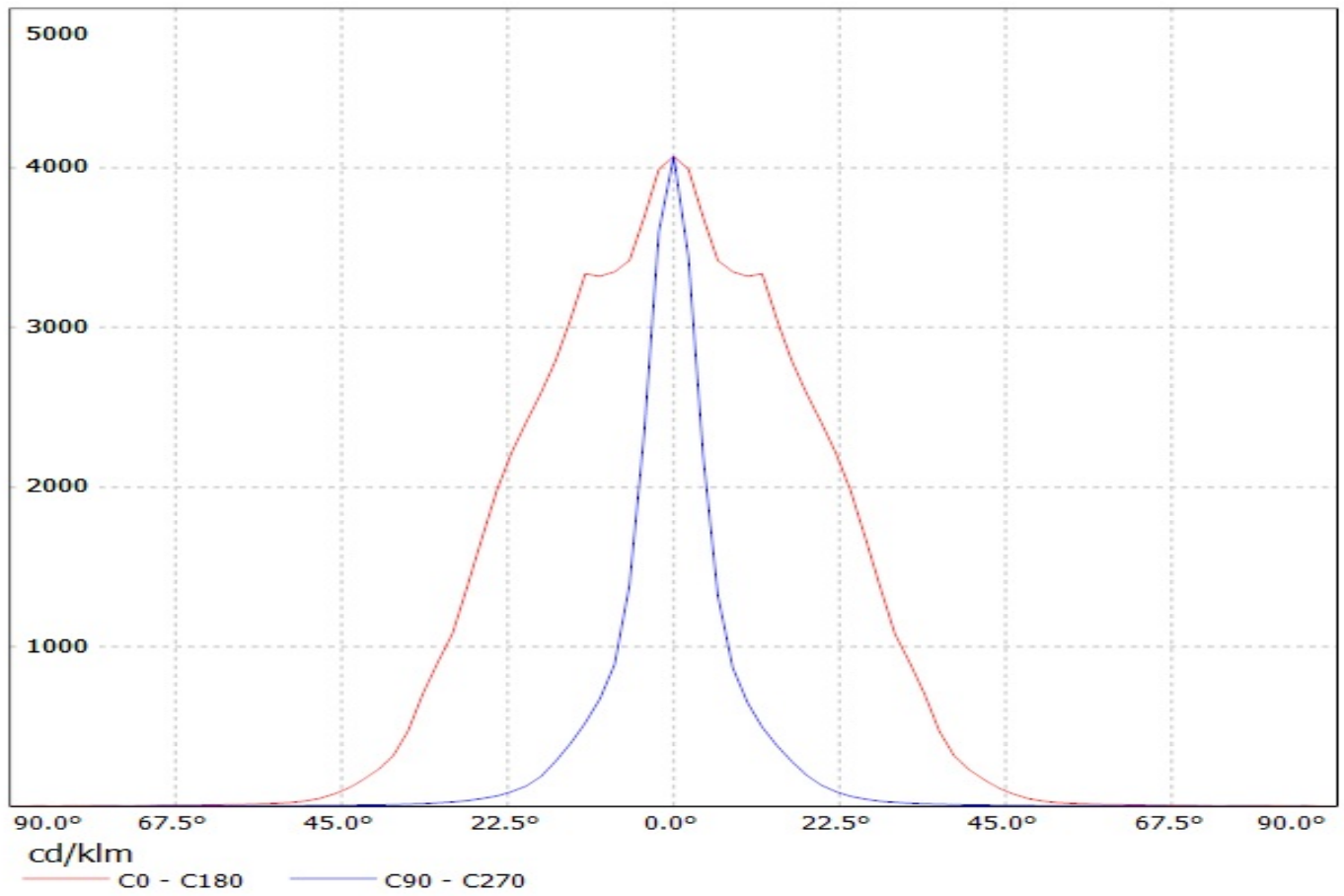
Luminaire: Ledil Oy CA11266_HEIDI-O (Nichia 219B 109lm @ 250mA) Efficiency=82%
Lamps: 1 x Nichia 219B 109lm @ 250mA



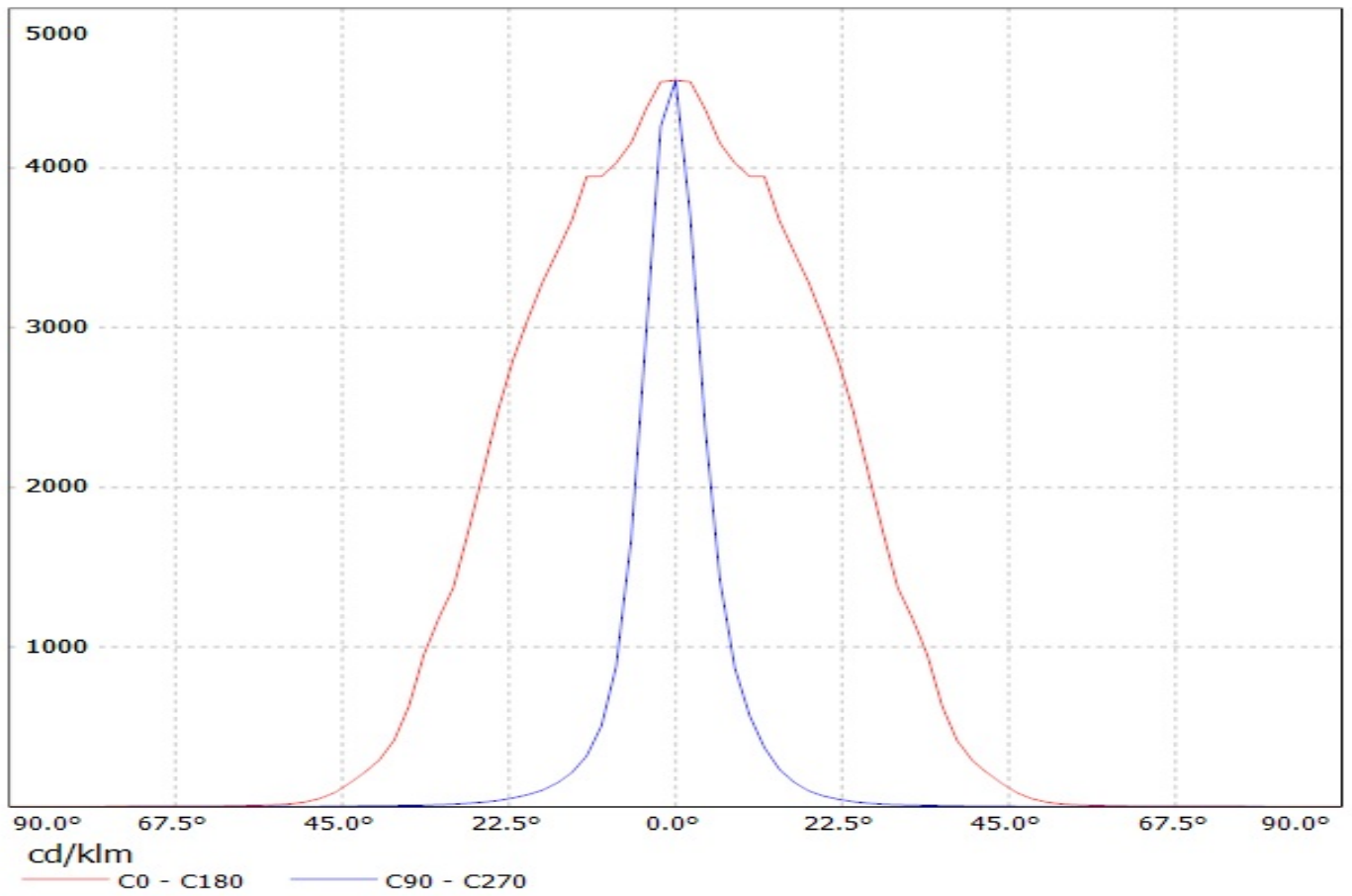
Luminaire: Ledil Oy CA11266_HEIDI-O_(NCSxx19B) Efficiency=83%
Lamps: 1 x Nichia NCSxx19B (NCSL119BE) 88lm @ 250mA CCT=3000K P=0.8W I=250mA



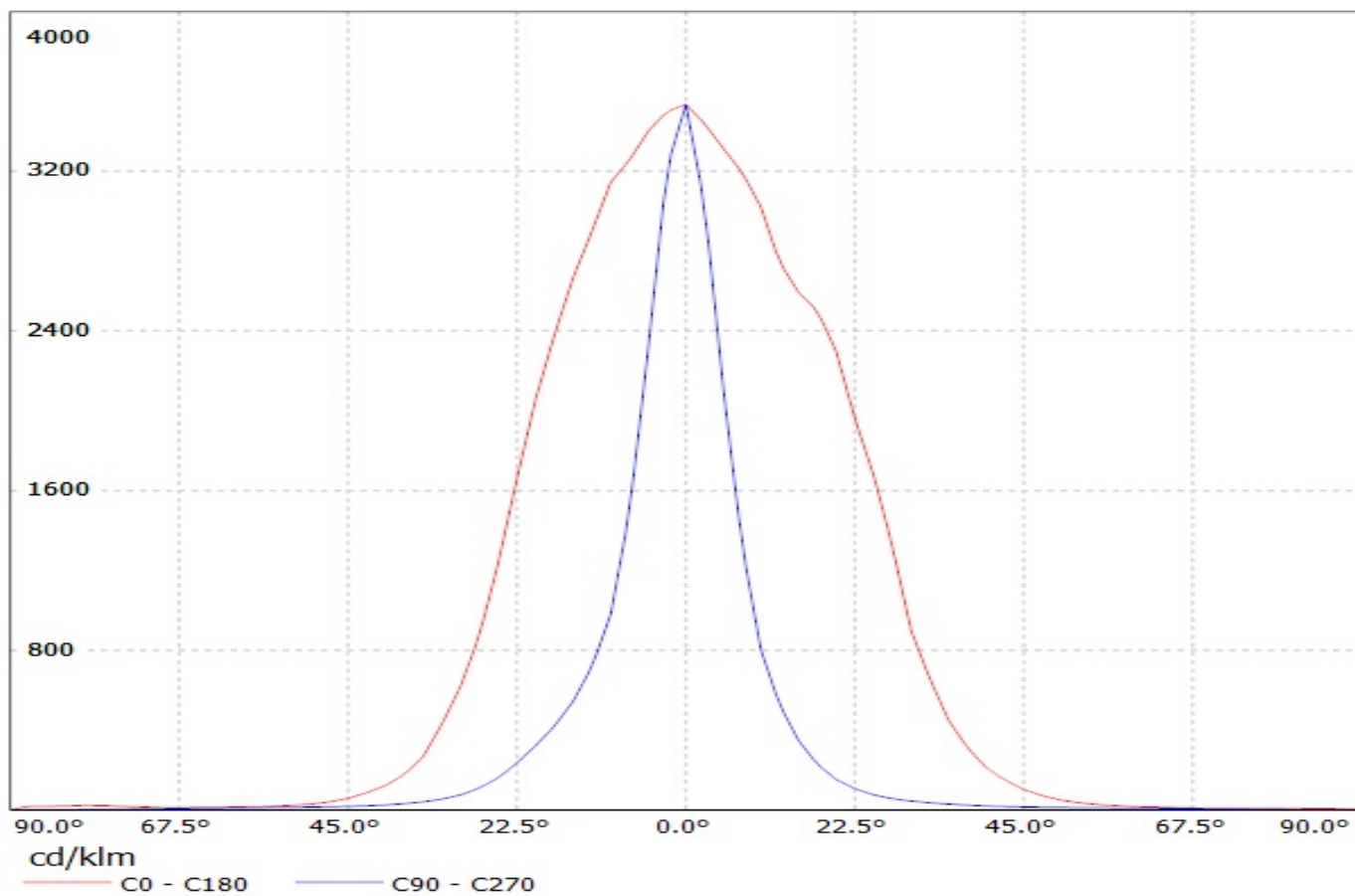
Luminaire: Ledil Oy CA11266_HEIDI-O (Osram Oslon 80dg 85lm @ 250mA) Efficiency=83%
Lamps: 1 x Osram Oslon 80dg 85lm @ 250mA



Luminaire: Ledil Oy CA11266_HEIDI-O (Osram Oslon 150dg 72lm @ 250mA) Efficiency=85%
Lamps: 1 x Osram Oslon 150dg 72lm @ 250mA

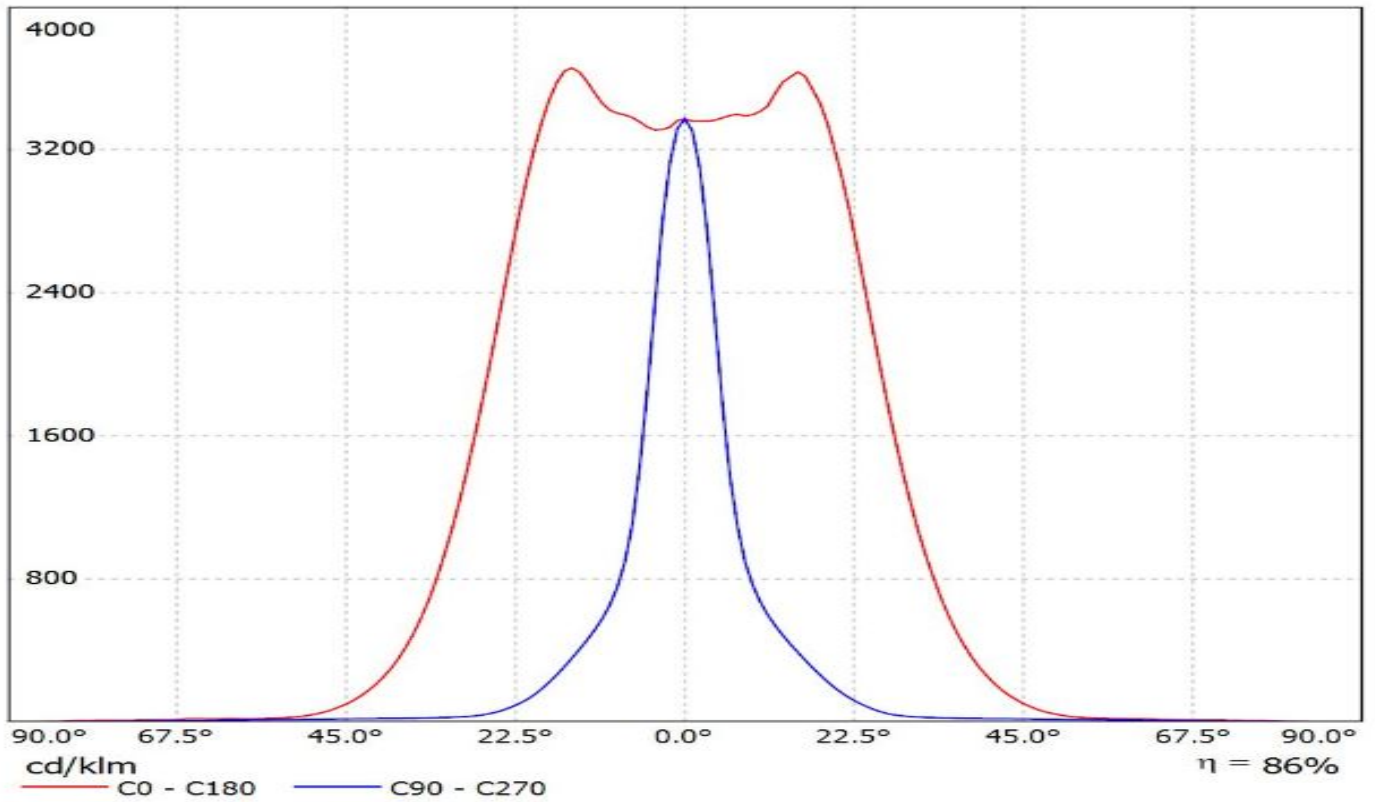


Luminaire: Ledil Oy Heidi-O-SQ-ec (Osram Square EC 78lm @ 250mA) Efficiency=84%
Lamps: 1 x Osram Square EC 78lm @ 250mA

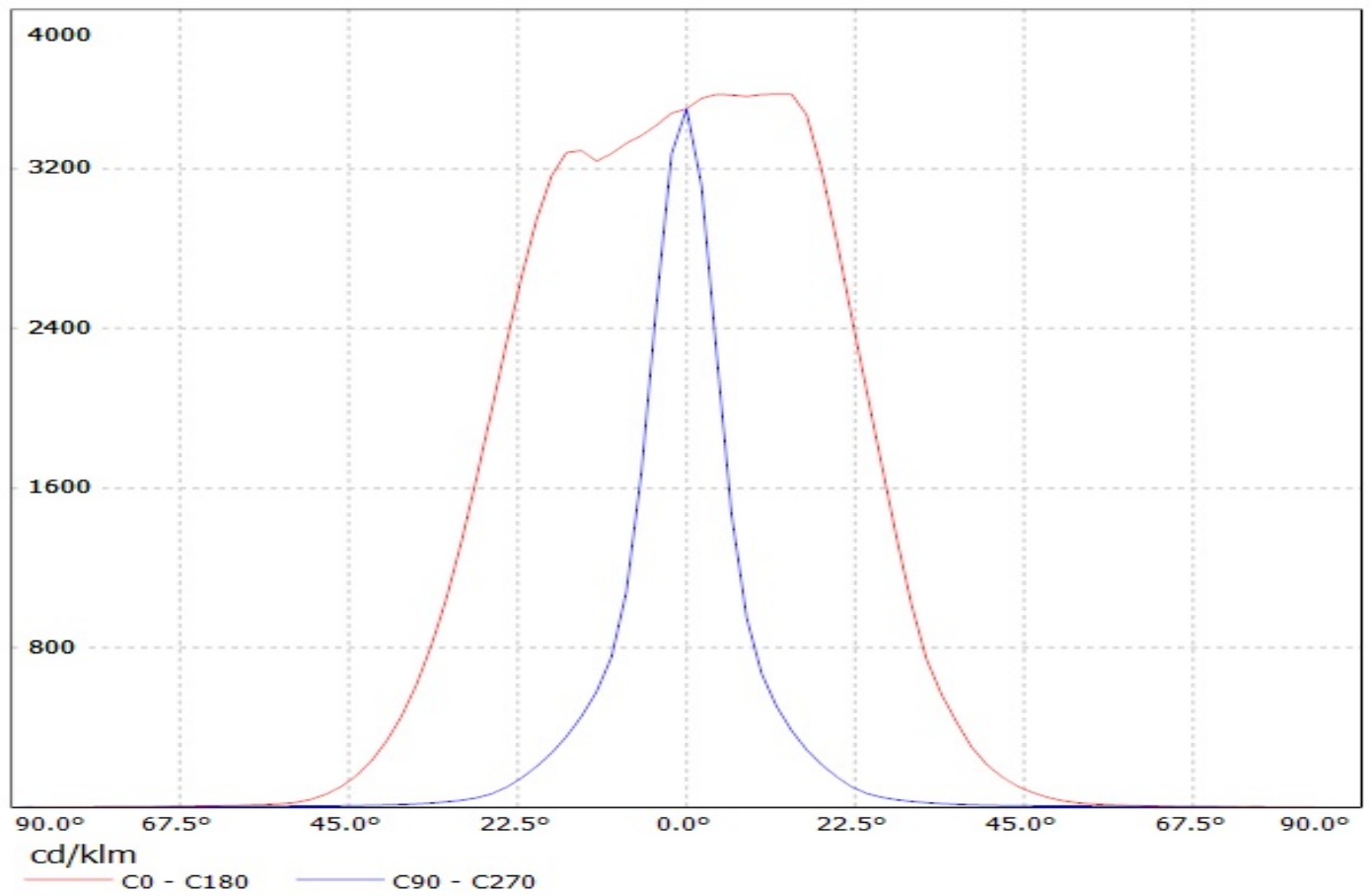


Ledil CA11266_HEIDI-O_(Fortimo_FastFlex_LED_board 2x8-757_DS_G3) / LDC (Linear)

Luminaire: Ledil CA11266_HEIDI-O_(Fortimo_FastFlex_LED_board 2x8-757_DS_G3)
Lamps: 1 x Philips_Fortimo_FastFlex_LED_board 2x8/757_DS_G3_(XP-G2)
_3428.78lm@500mA_P=23.7W_I=0.5A

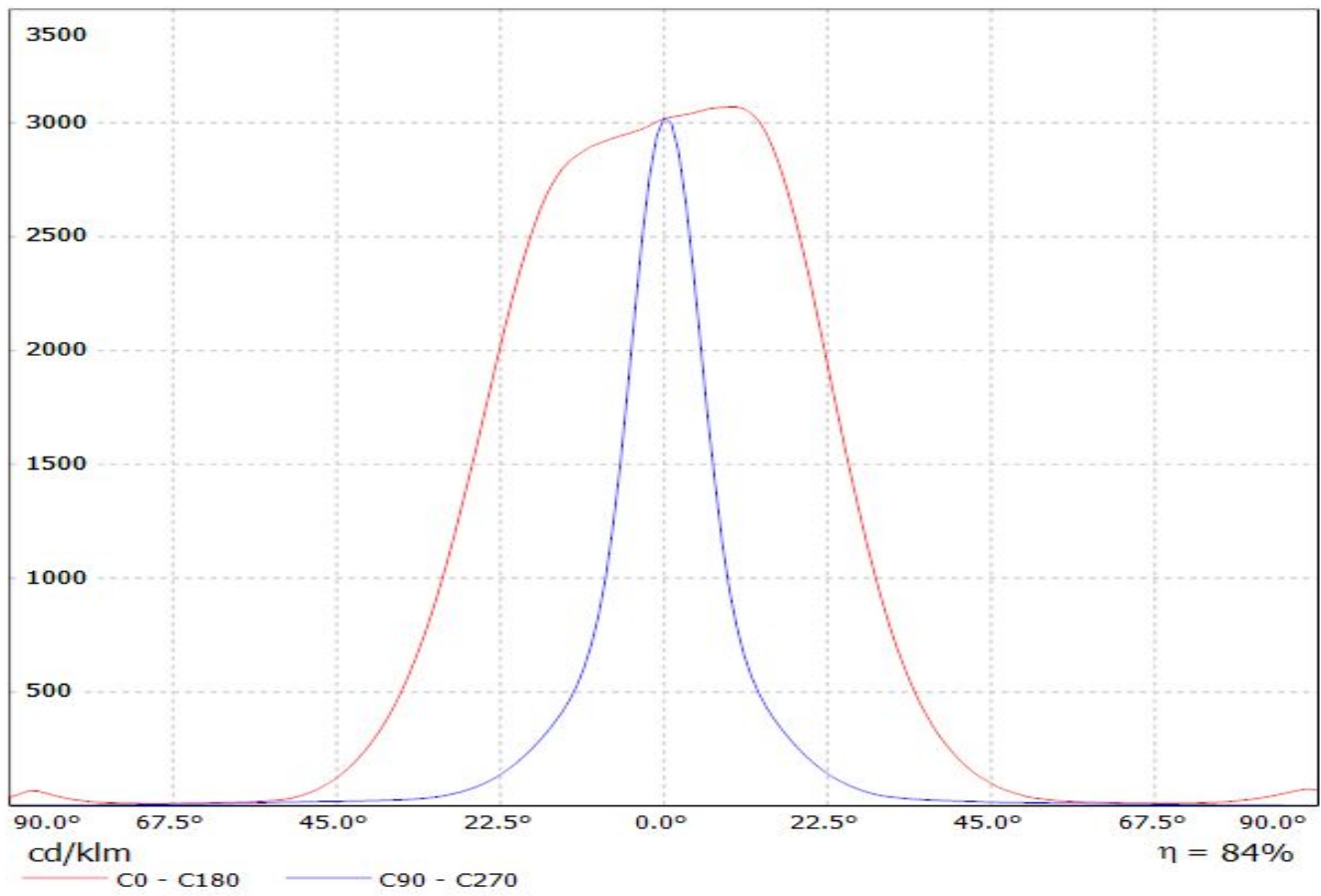


Luminaire: Ledil Oy CA11266_HEIDI-O_(LH351Z) Efficiency=83%
Lamps: 1 x Samsung LH351Z (90.14lm @ 250mA) CCT=6500K P=0.7W I=250mA

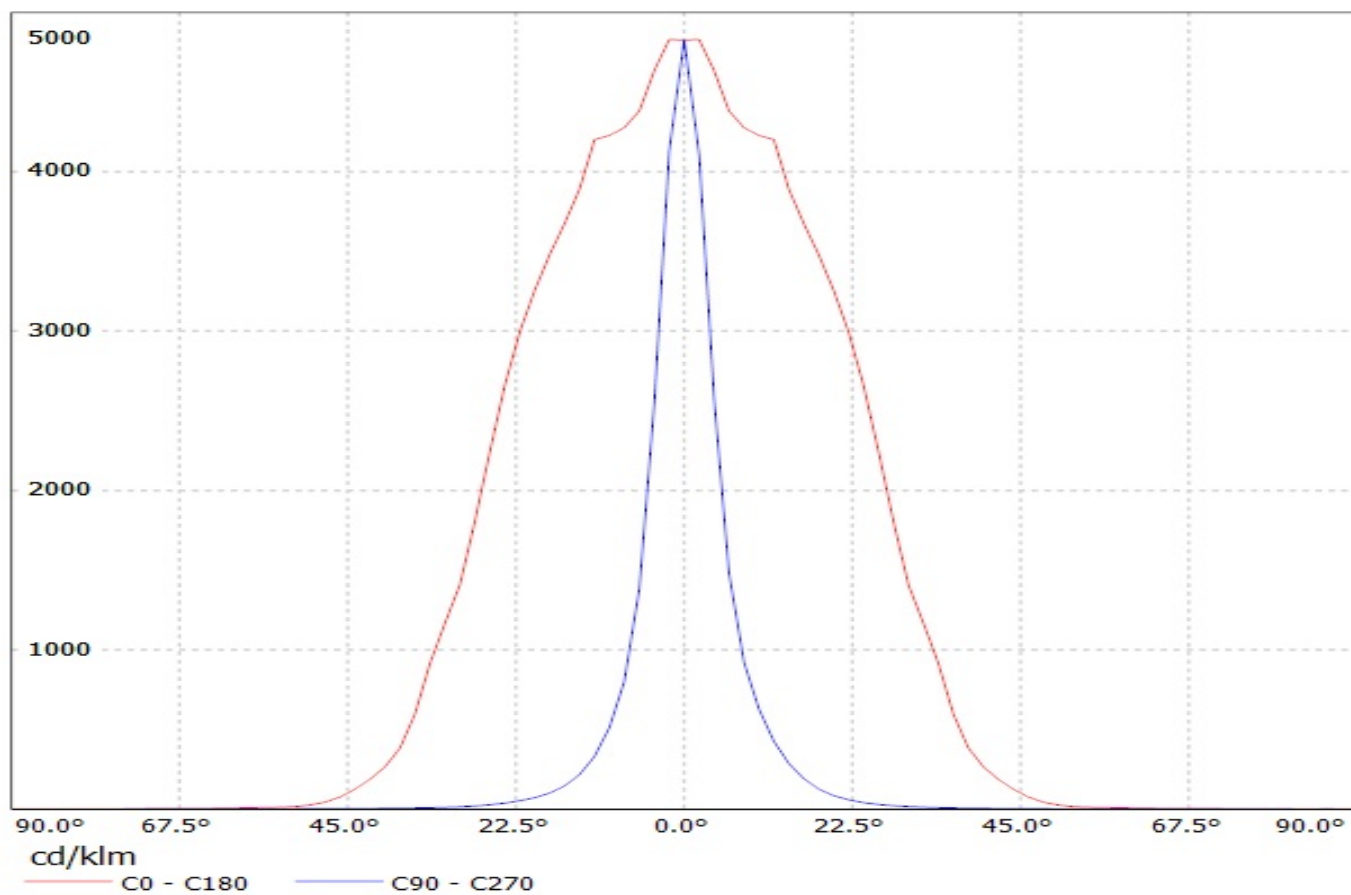


Luminaire: LEDiL Oy CA11266_HEIDI-O_(LH351B)

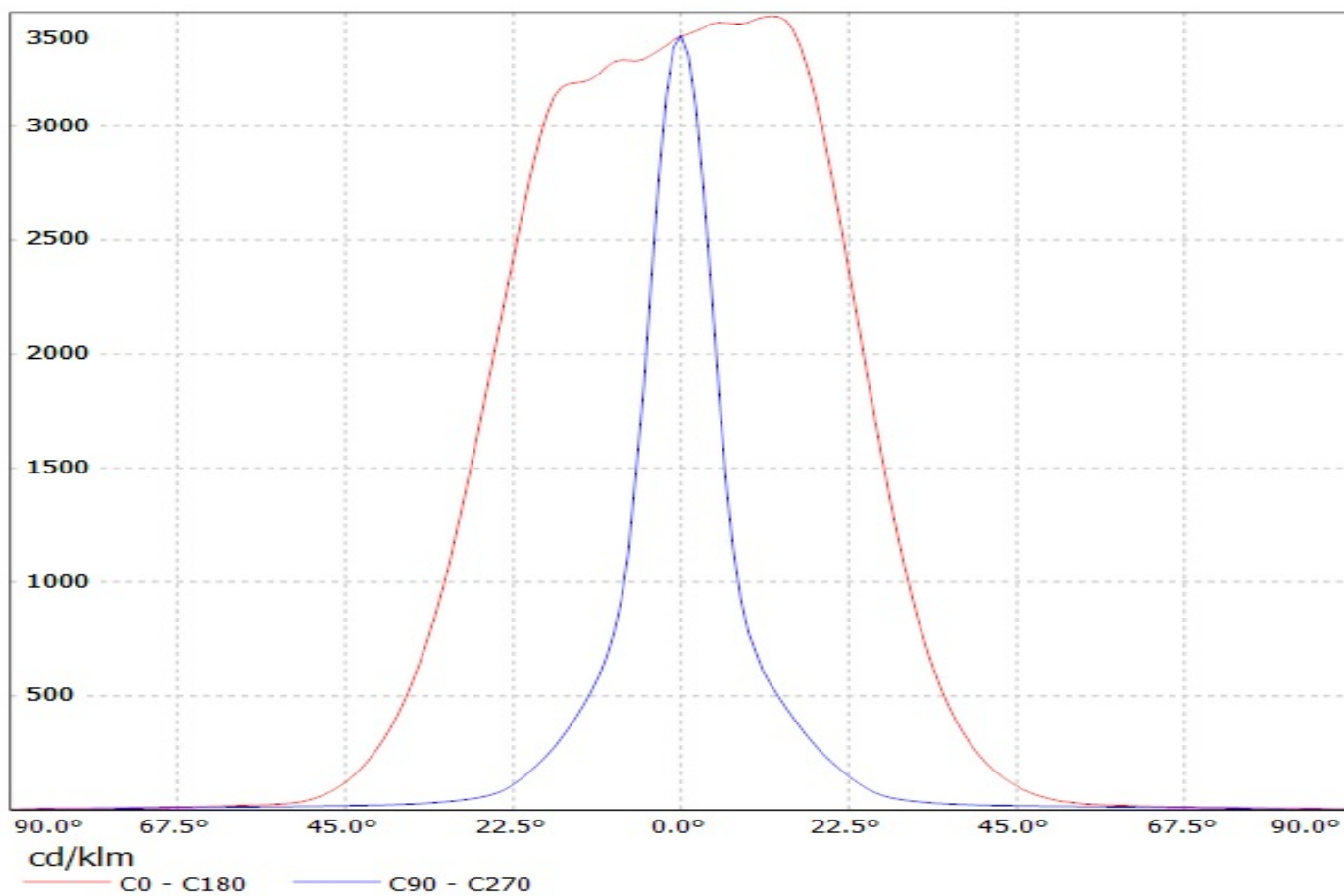
Lamps: 1 x SAMSUNG_LH351B_107.366lm@250mA_P=2.9308W_I=249.9mA



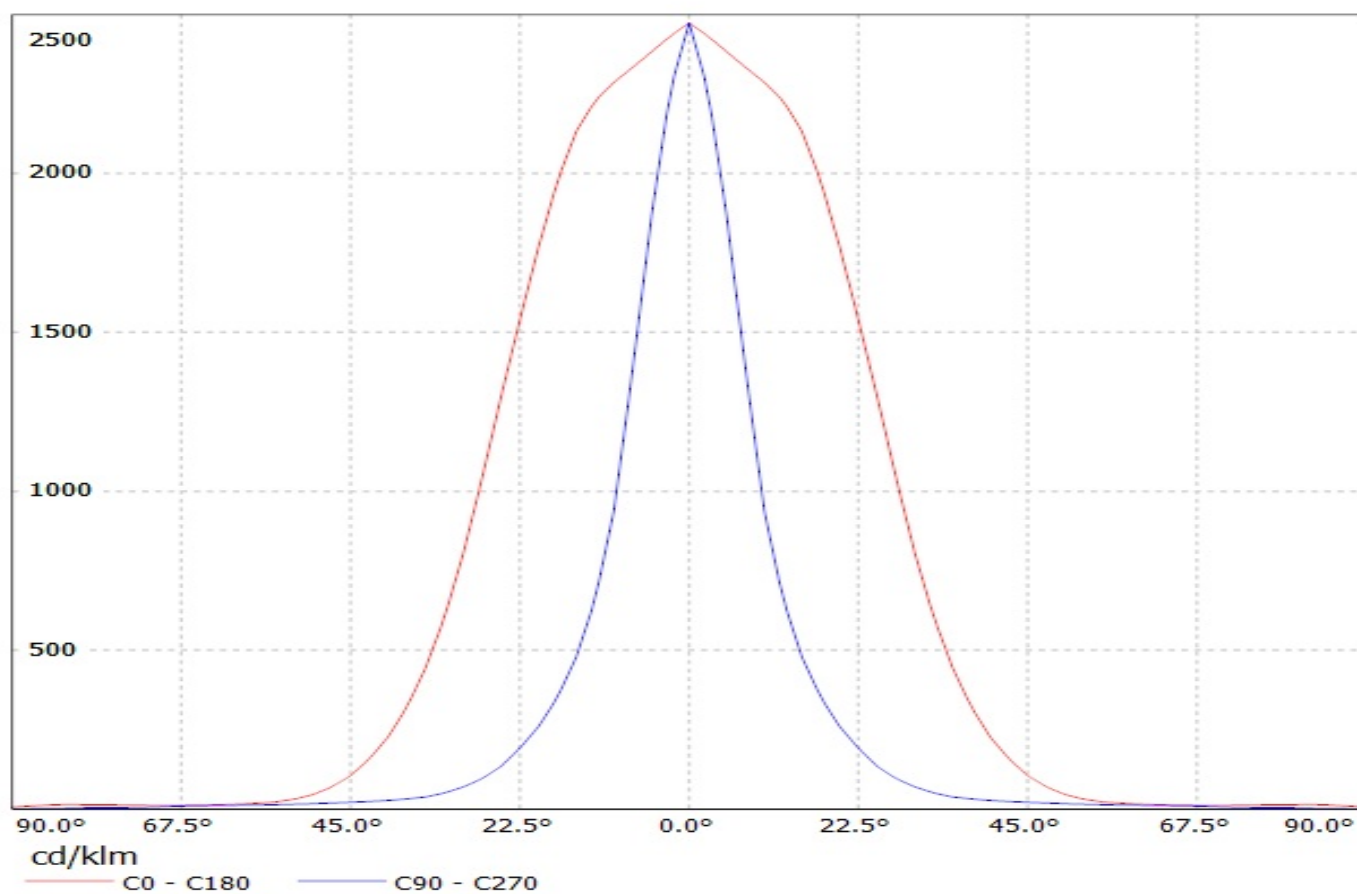
Luminaire: Ledil Oy CA11266_HEIDI-O (Seoul Z5 68lm @ 250mA) Efficiency=86%
Lamps: 1 x Seoul Z5 68lm @ 250mA



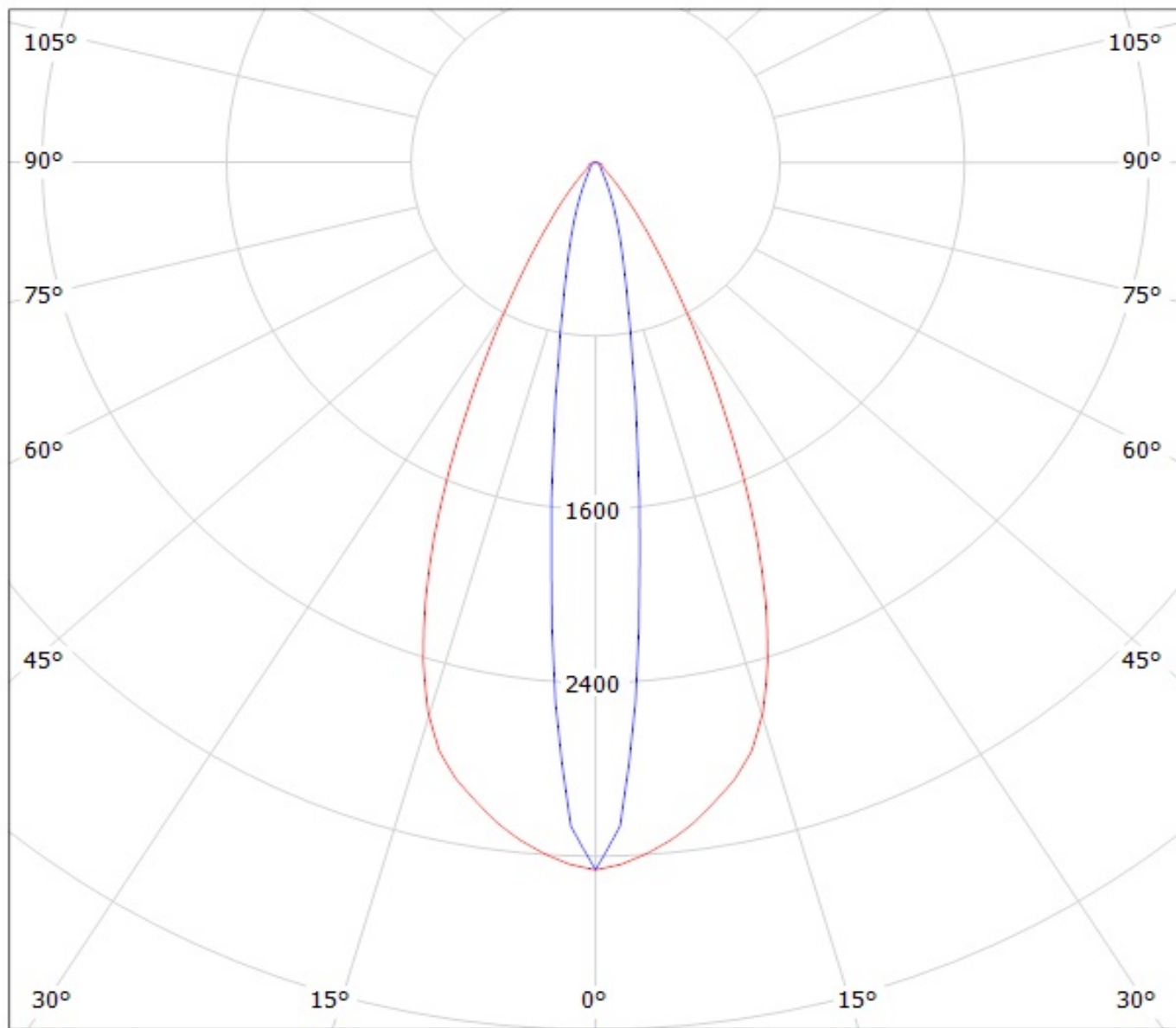
Luminaire: LEDiL Oy CA11266_HEIDI-O (Z5M1) Eff: 85%
Lamps: 1 x Seoul_Z5M1_107.648lm@250mA_CCT=9074K_P=0.739754W_I=249.9mA



Luminaire: Ledil Oy CA11266_HEIDI-O (Sharp Double Dome 76lm @ 250mA) Efficiency=85%
Lamps: 1 x Sharp Double Dome 76lm @ 250mA



Luminaire: Ledil Oy CA11266_Heidi-O-XP-G CA11266_Heidi-O-XP-G
Lamps: 1 x Cree XP-G (White)

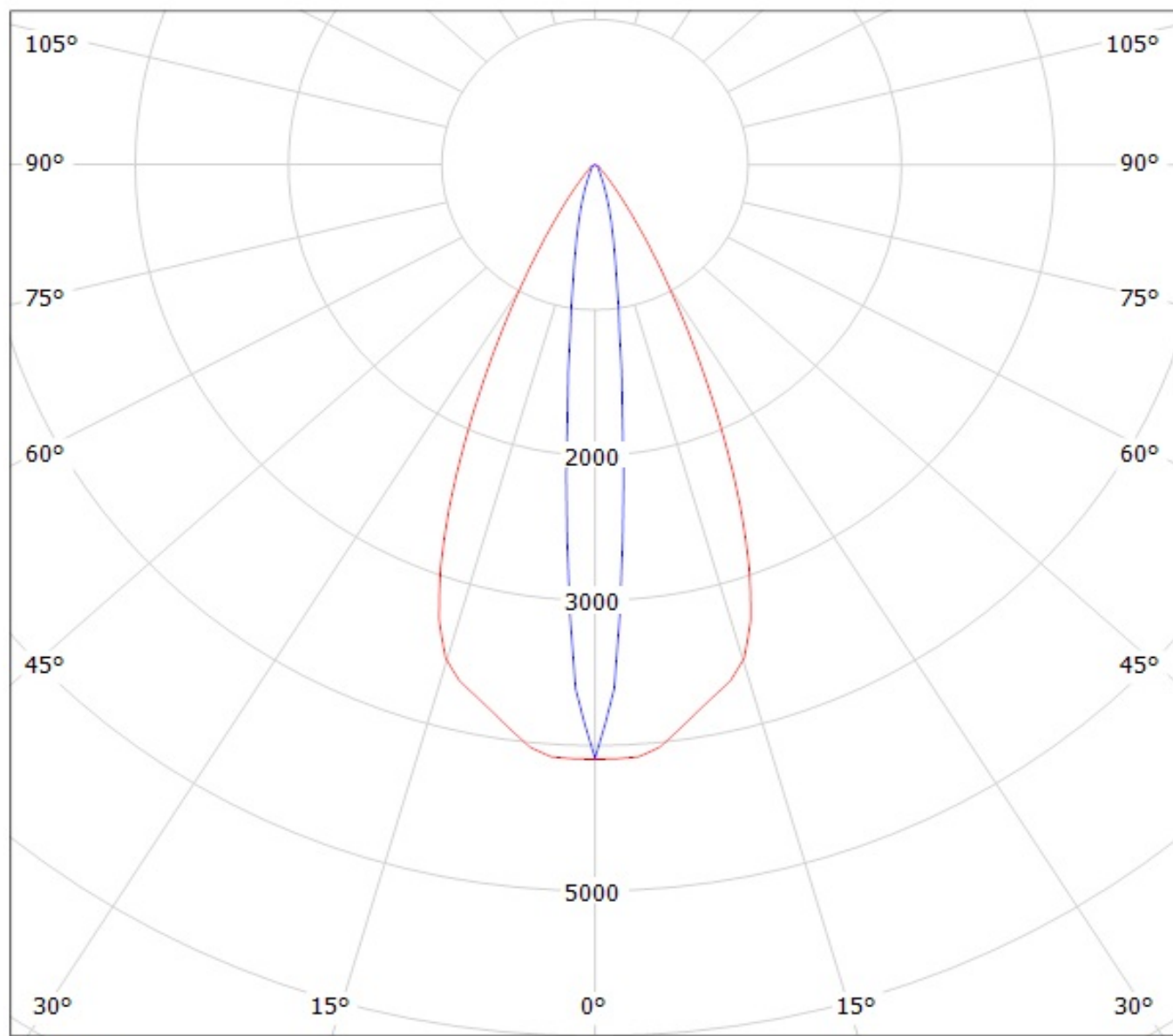


cd/klm

— C0 - C180

— C90 - C270

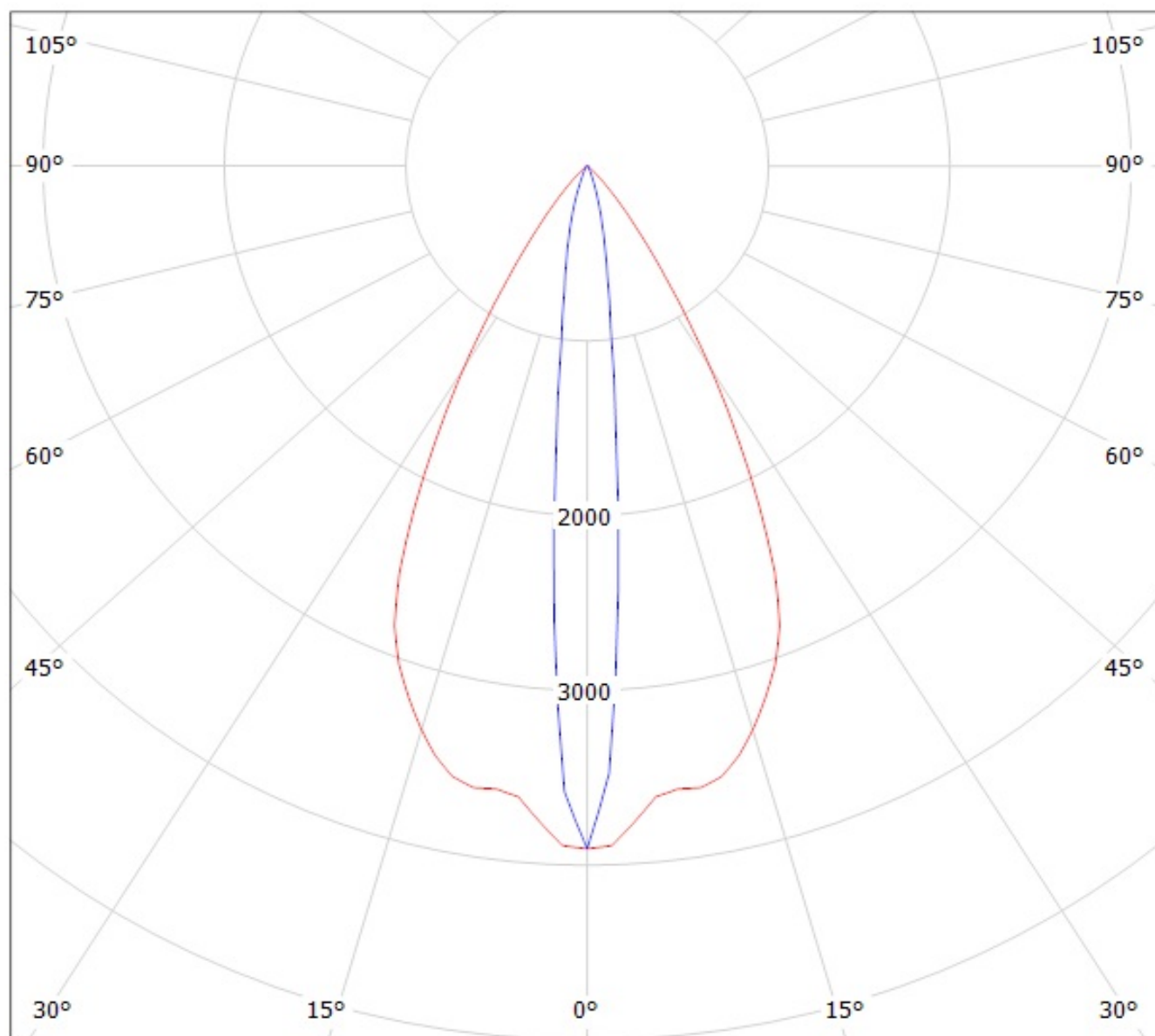
Luminaire: Ledil Oy CA11266_Heidi-O-XP CA11266_Heidi-O (Cree XP-E 76lm @ 250mA) Efficiency=87%
Lamps: 1 x Cree XP-E 76lm @ 250mA (White)



cd/klm

— C0 - C180 — C90 - C270

Luminaire: Ledil Oy CA11266_HEIDI-O (Cree XB-D 94lm @ 250mA) Efficiency=87%
Lamps: 1 x Cree XB-D 94lm @ 250mA

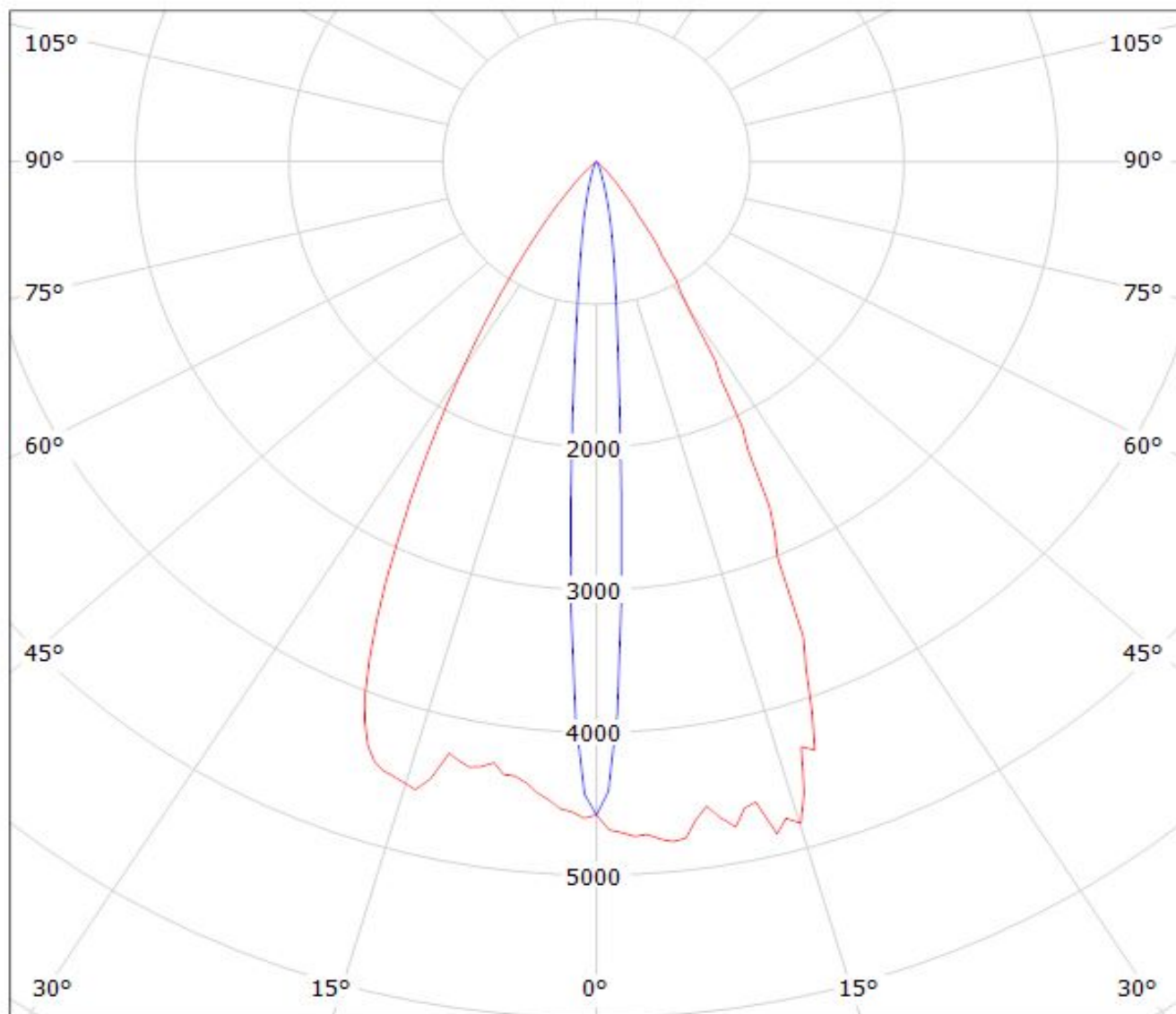


cd/klm

— C0 - C180

— C90 - C270

Luminaire: LEDiL Oy CA11266_HEIDI-O_(XP-E2) Eff. 85%
Lamps: 1 x Cree XP-E2 92lm@250mA CCT:5500K P:0.8W



cd/klm

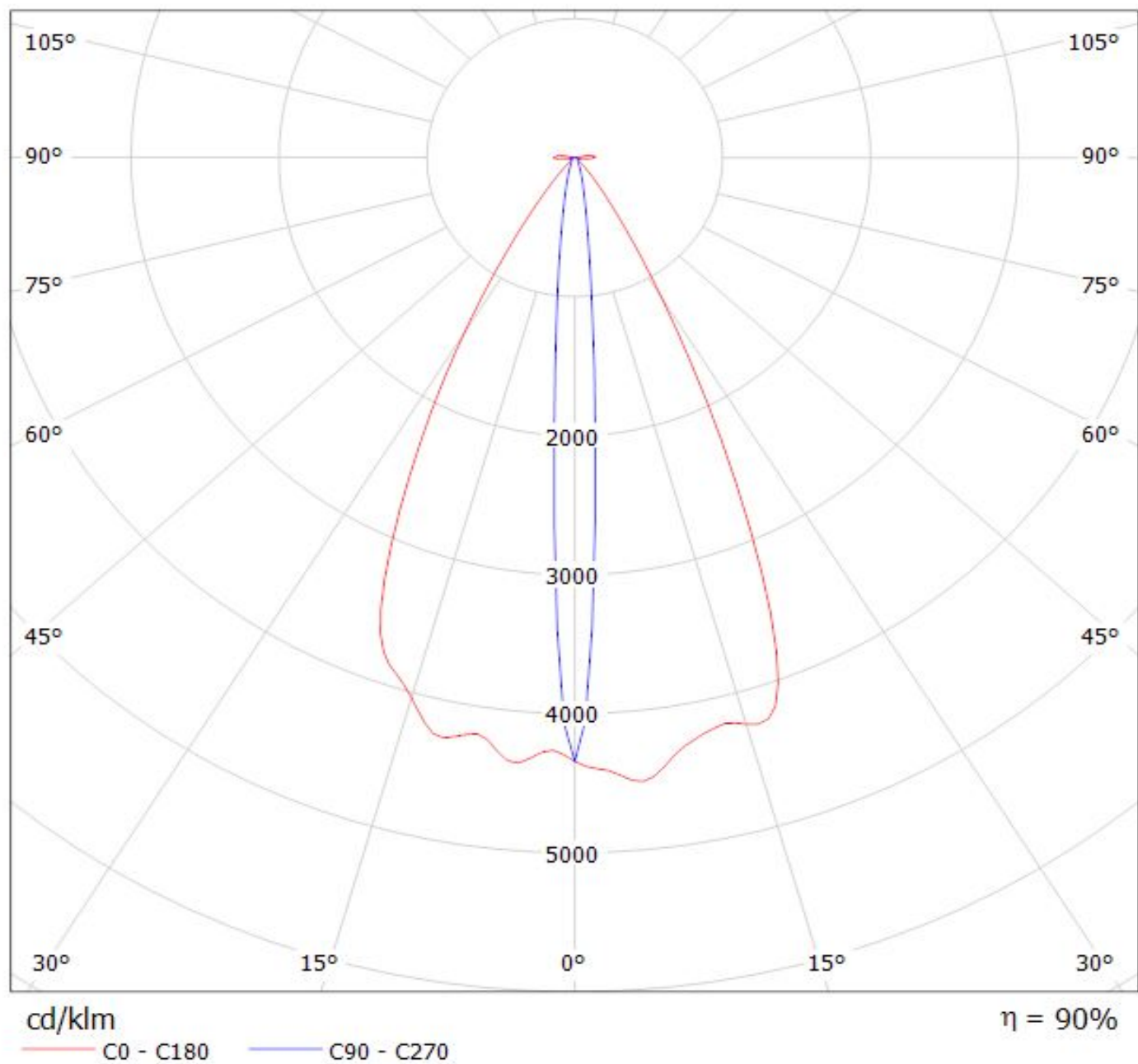
— C0 - C180

— C90 - C270

$\eta = 85\%$

Luminaire: LEDiL Oy CA11266_HEIDI-O_(XQ-E-HI)

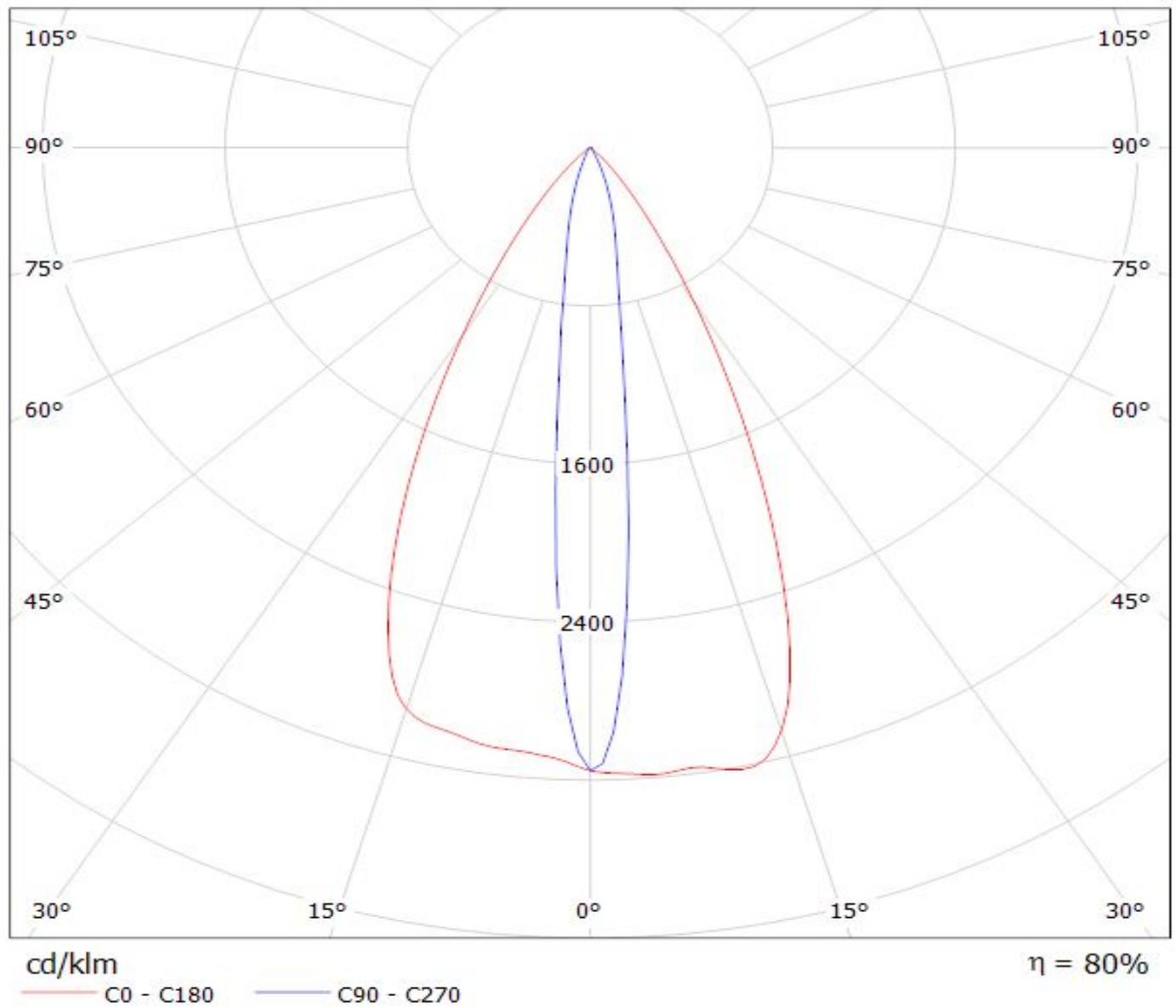
Lamps: 1 x Cree_XQ-E_HI_100.602lm@250mA_P=0.744629W_I=0.25A



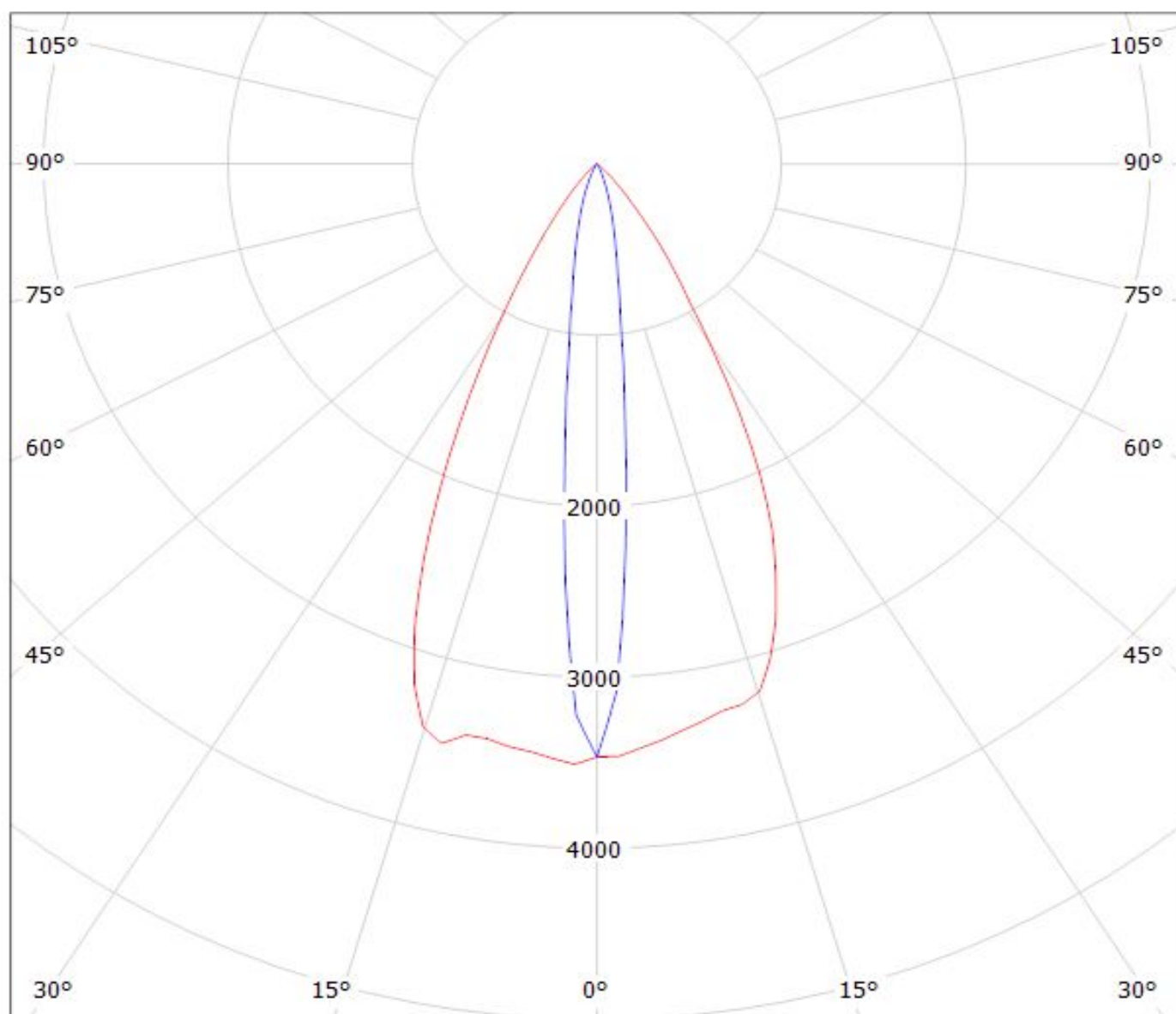
LEDiL Oy CA11266_HEIDI-O_(LUXEON_T)_1 Eff.80.5% / LDC (Polar)

Luminaire: LEDiL Oy CA11266_HEIDI-O_(LUXEON_T)_1 Eff.80.5%

Lamps: 1 x LUXEON T (74lm@250mA)



Luminaire: Ledil Oy CA11266_HEIDI-O_(Luxeon_TX) Efficiency= 82%
Lamps: 1 x Luxeon TX (L1T2-3585) 82lm @ 250mA CCT=3521K P=0,73 I=250mA



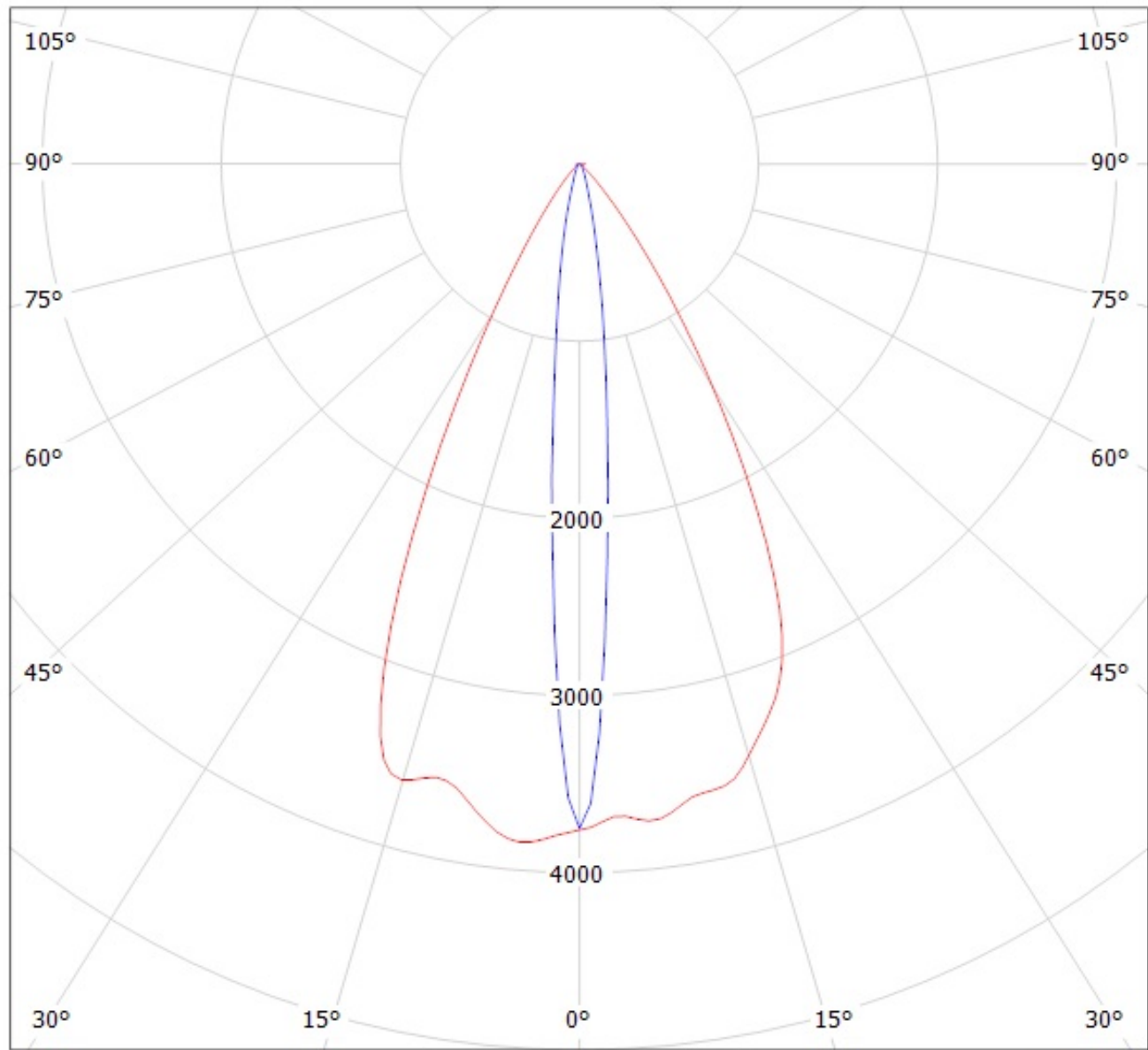
cd/klm

— C0 - C180 — C90 - C270

$\eta = 83\%$

Luminaire: LEDiL Oy CA11266_HEIDI-O_(Luxeon_Z_ES)

Lamps: 1 x Philips_Lumileds_Luxeon_Z_ES_(LXZ1-4070-0124)_81.279lm@250mA_P=0.732007W_I=0.2499mA



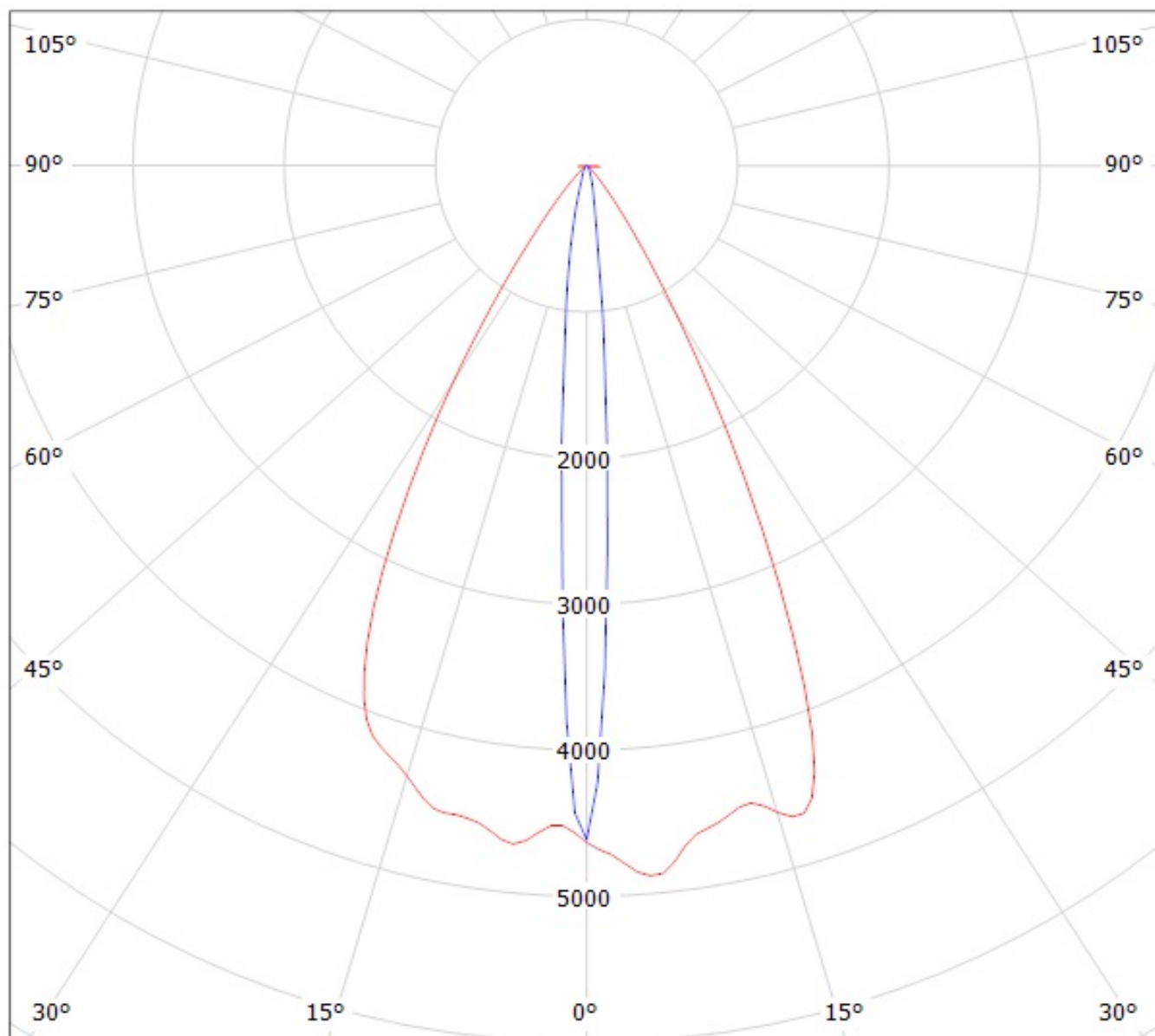
cd/klm

— C0 - C180 — C90 - C270

$\eta = 85\%$

Luminaire: LEDiL Oy CA11266_HEIDI-O_(Luxeon_Z)

Lamps: 1 x Philips_Lumileds_Luxeon_Z_(LXZ1-4070-0124)_71.9117lm@250mA_P=0.73683W_I=0.2499mA



cd/klm

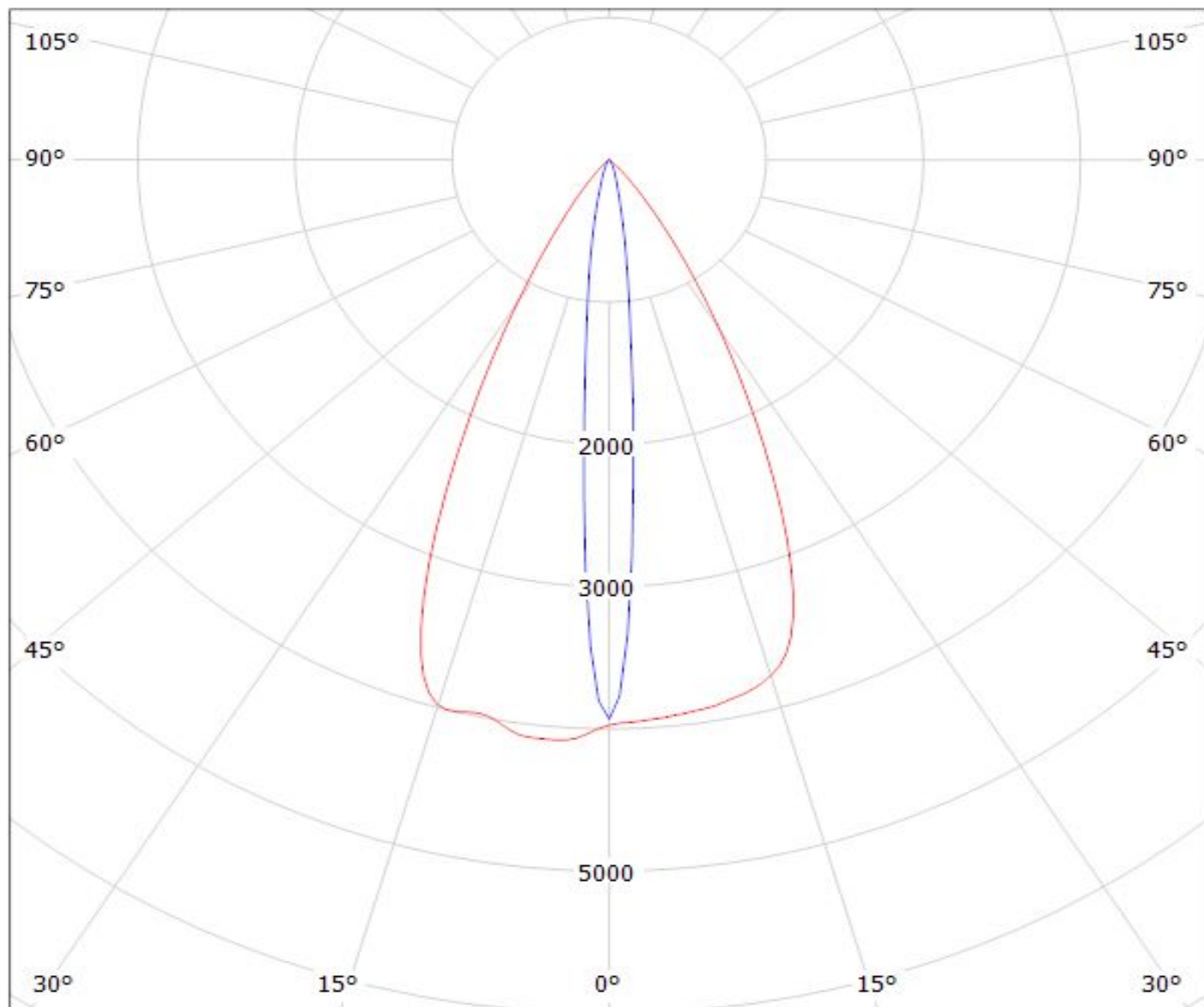
$\eta = 87\%$

— C0 - C180

— C90 - C270

Luminaire: LEDiL Oy CA11266_HEIDI-O_(Luxeon_C_WHITE)

Lamps: 1 x Luxeon_C_WHITE_84.6969lm@250mA_P=0.7410W_I=0.250A



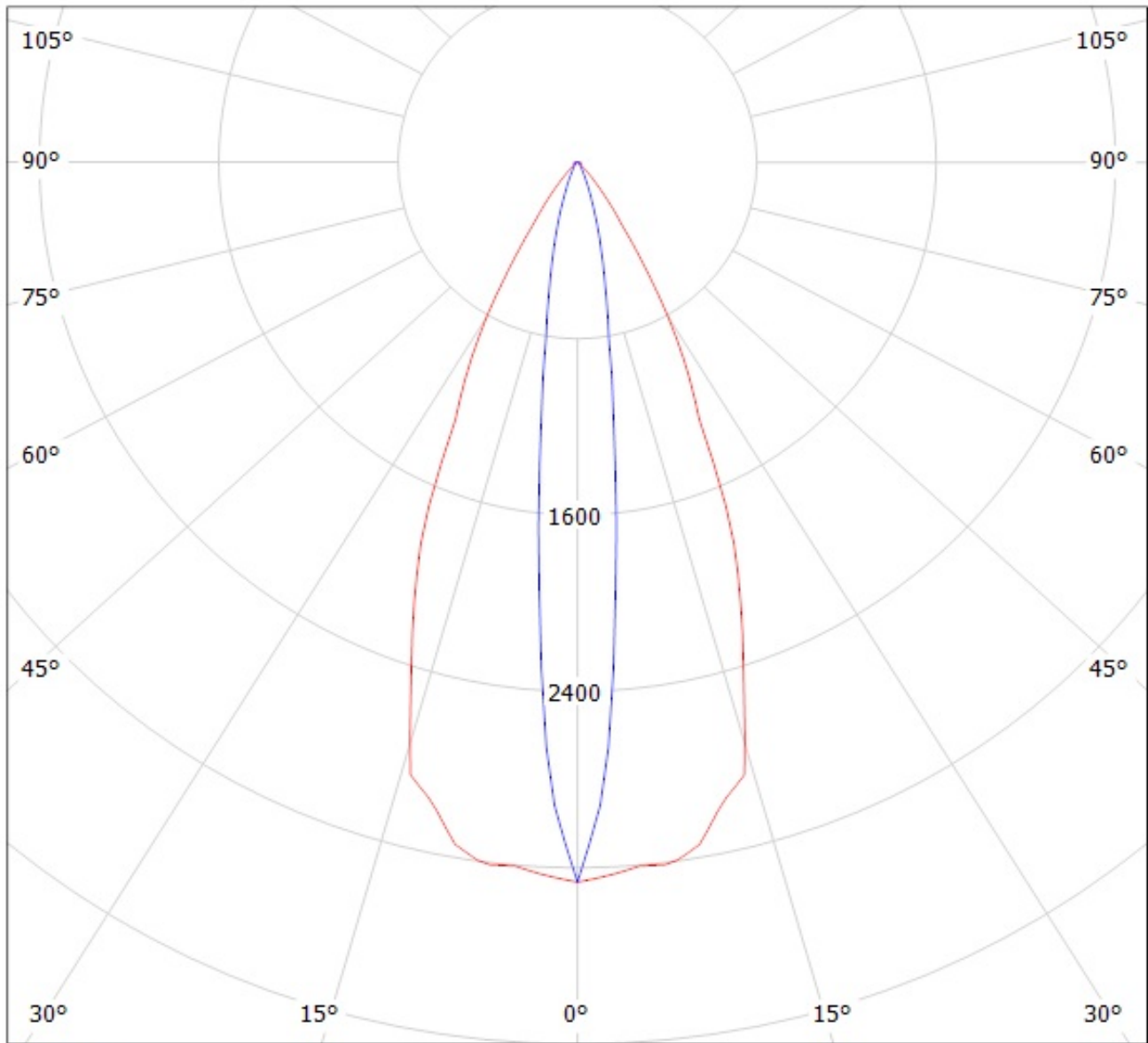
cd/klm

— C0 - C180

— C90 - C270

$\eta = 81\%$

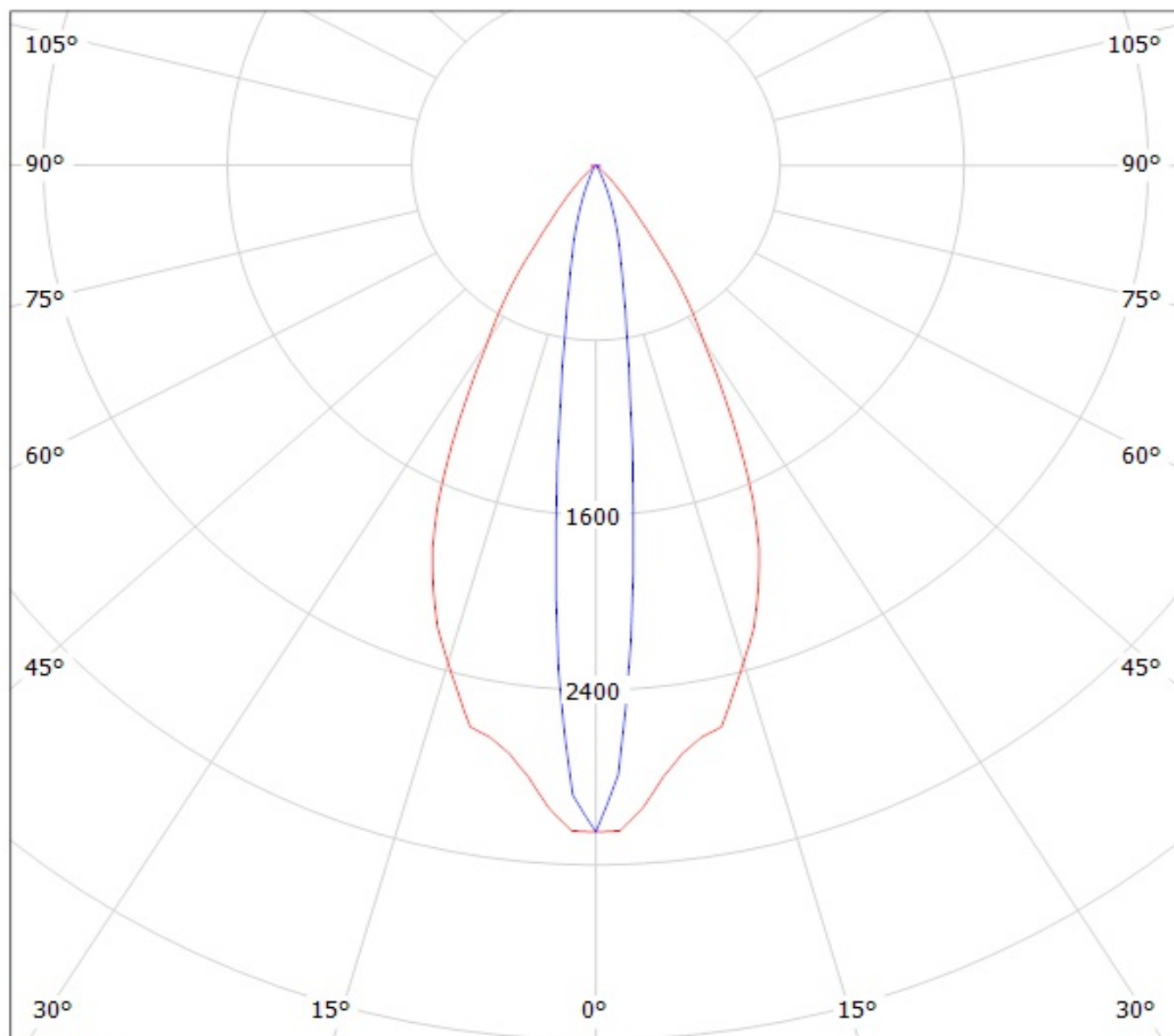
Luminaire: Ledil Oy CA11266_HEIDI-O_ & CA11267_HEIDI-O (Nichia NCS19 89lm @ 250mA) Efficiency=82%
Lamps: 1 x Nichia NCS19 89lm @ 250mA



cd/klm

— C0 - C180 — C90 - C270

Luminaire: Ledil Oy CA11266_HEIDI-O (Nichia NVS19 98lm @ 250mA) Efficiency=82%
Lamps: 1 x Nichia NVS19 98lm @ 250mA

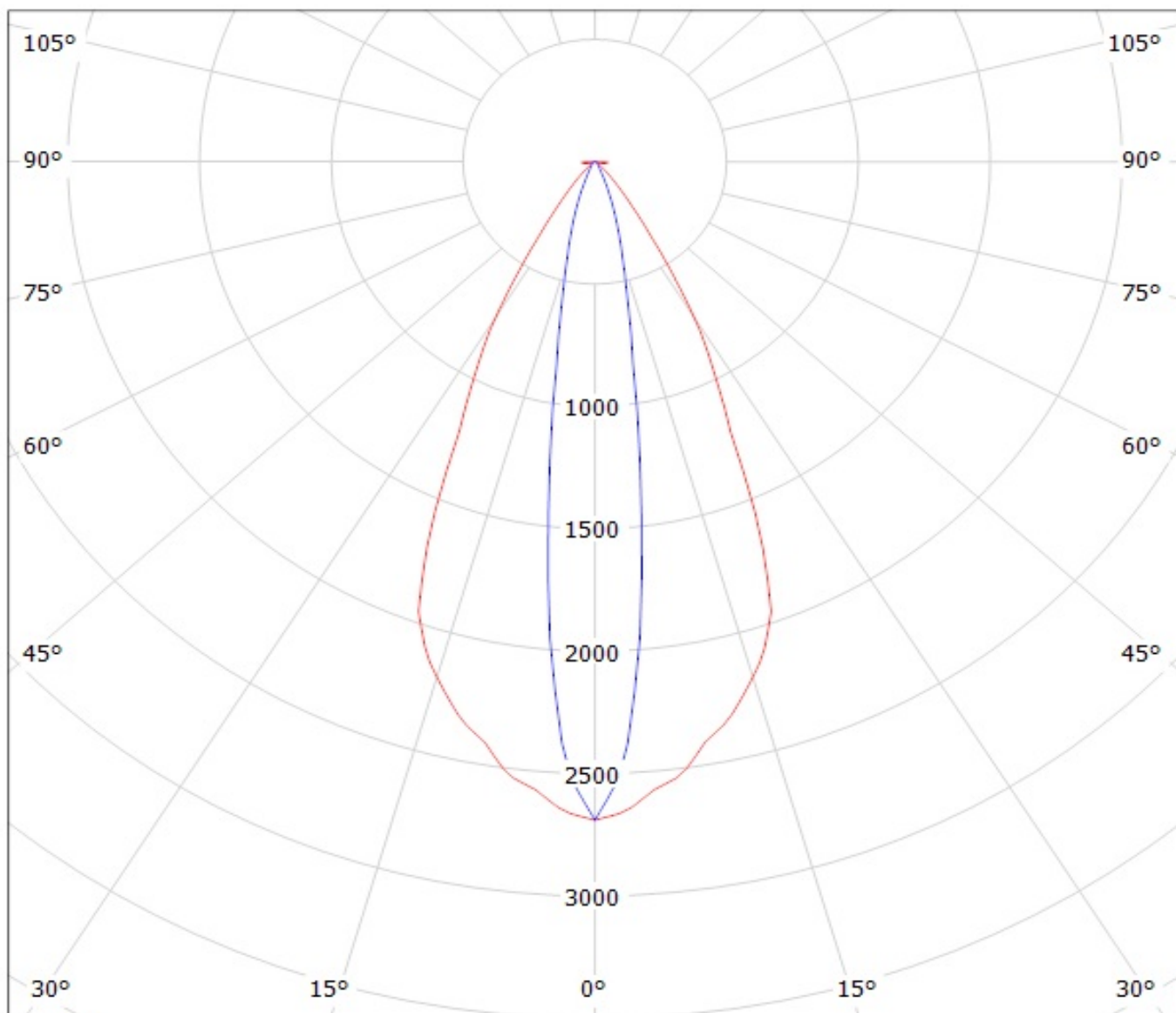


cd/klm

— C0 - C180

— C90 - C270

Luminaire: Ledil Oy CA11266_HEIDI-O (Nichia 219B 109lm @ 250mA) Efficiency=82%
Lamps: 1 x Nichia 219B 109lm @ 250mA



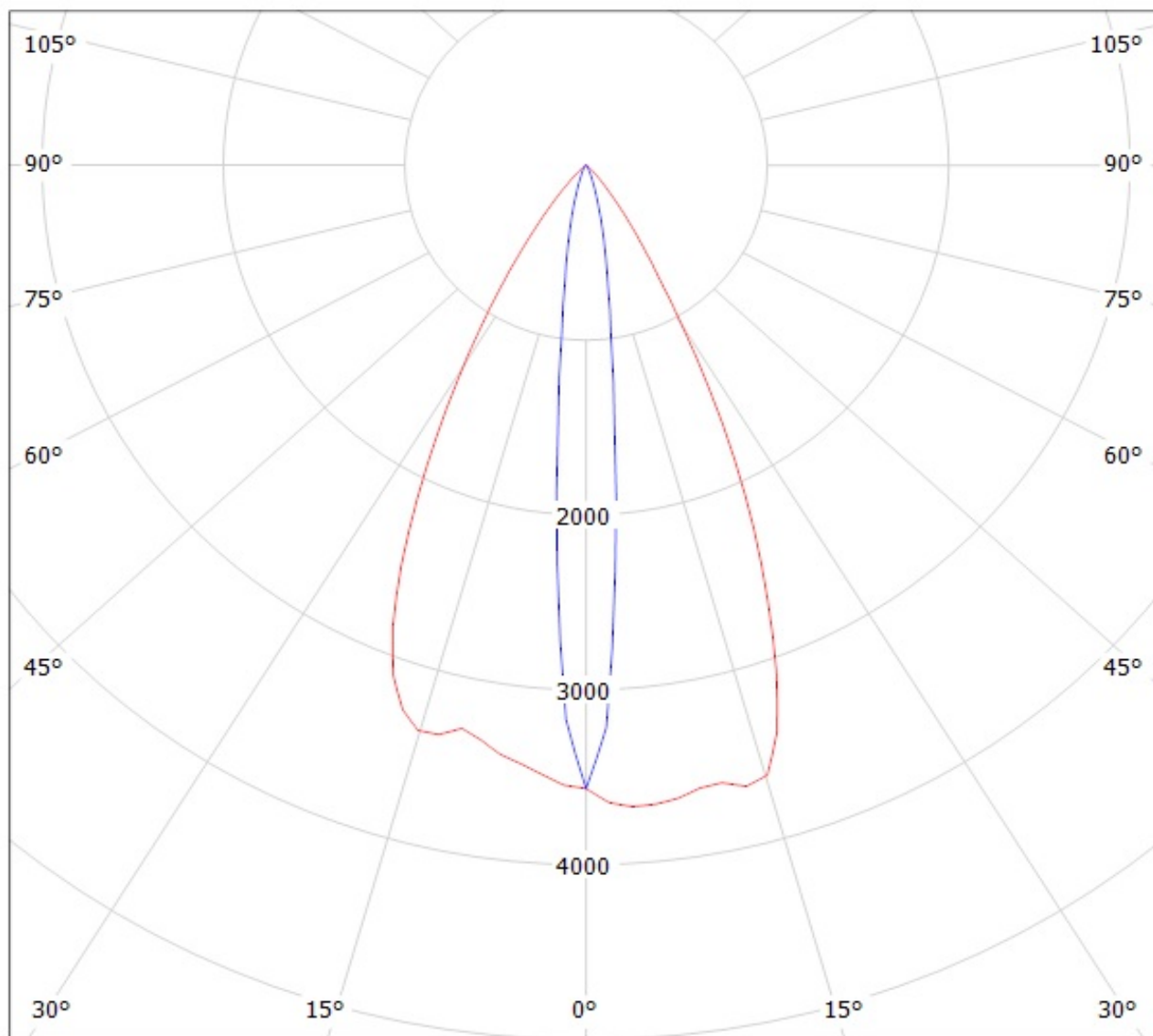
cd/klm

— C0 - C180

— C90 - C270

Luminaire: Ledil Oy CA11266_HEIDI-O_(NCSxx19B) Efficiency=83%

Lamps: 1 x Nichia NCSxx19B (NCSL119BE) 88lm @ 250mA CCT=3000K P=0.8W I=250mA

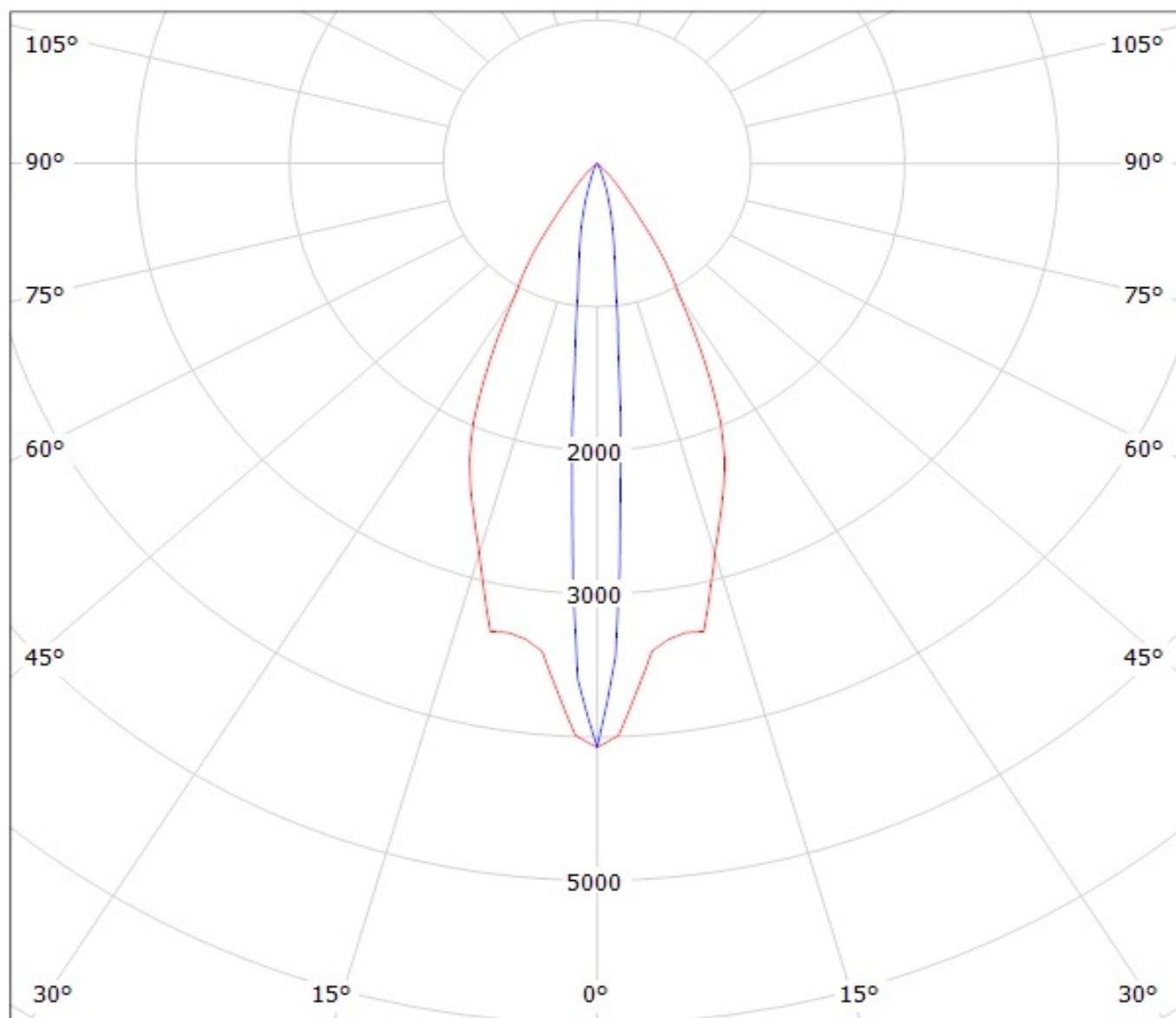


cd/klm

— C0 - C180

— C90 - C270

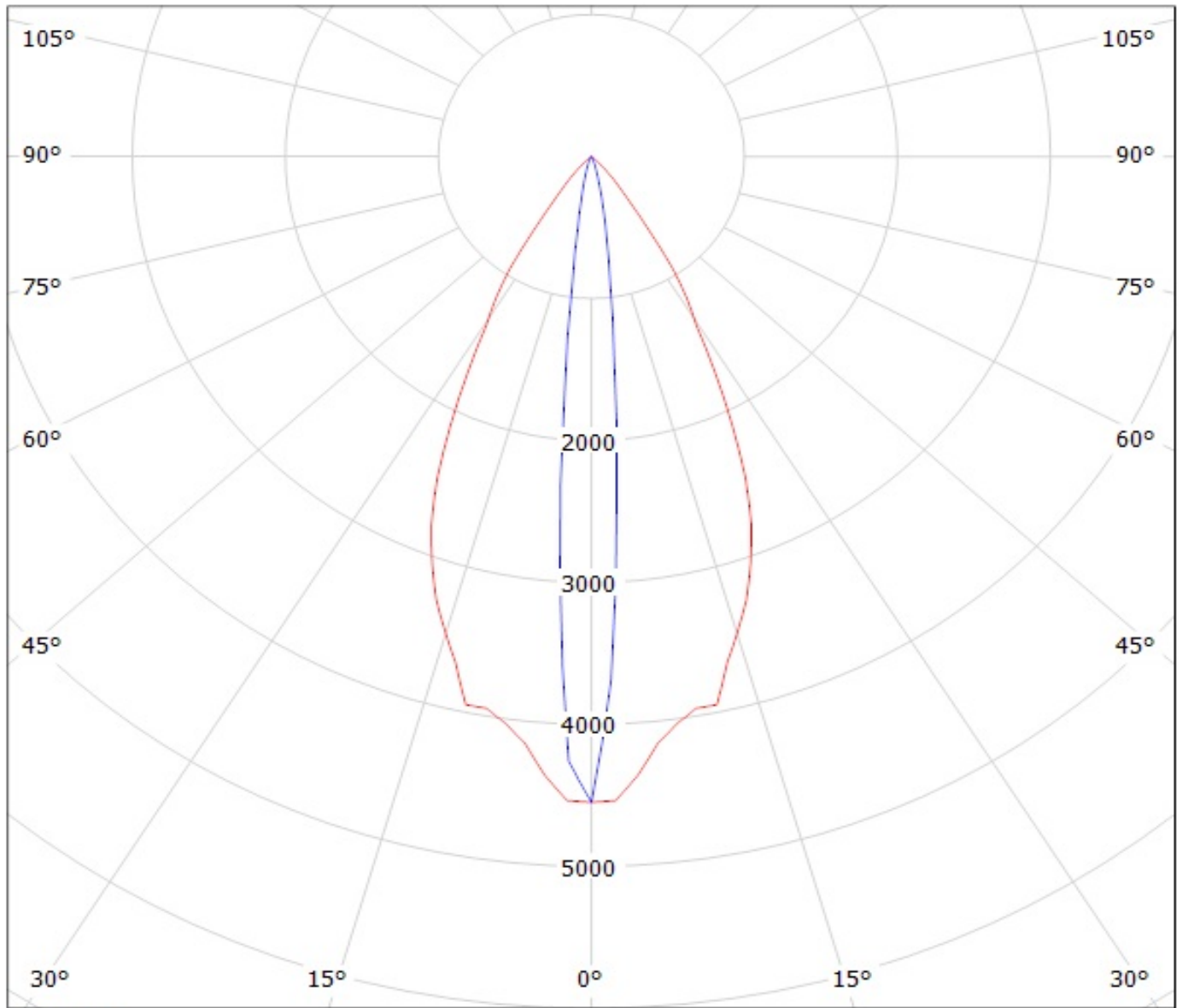
Luminaire: Ledil Oy CA11266_HEIDI-O (Osram Oslon 80dg 85lm @ 250mA) Efficiency=83%
Lamps: 1 x Osram Oslon 80dg 85lm @ 250mA



cd/klm

— C0 - C180 — C90 - C270

Luminaire: Ledil Oy CA11266_HEIDI-O (Osram Oslon 150dg 72lm @ 250mA) Efficiency=85%
Lamps: 1 x Osram Oslon 150dg 72lm @ 250mA

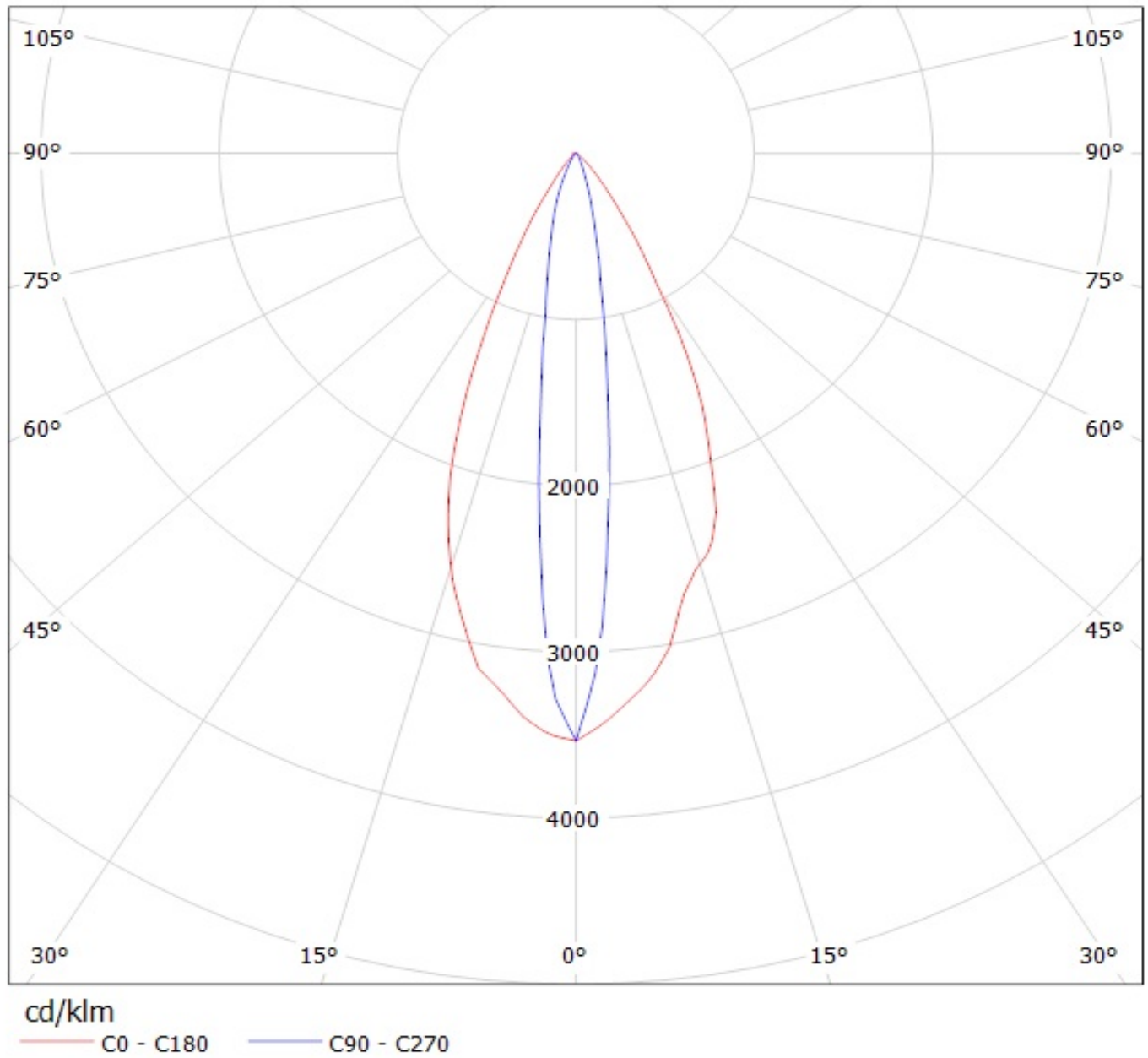


cd/klm

— C0 - C180

— C90 - C270

Luminaire: Ledil Oy Heidi-O-SQ-ec (Osram Square EC 78lm @ 250mA) Efficiency=84%
Lamps: 1 x Osram Square EC 78lm @ 250mA

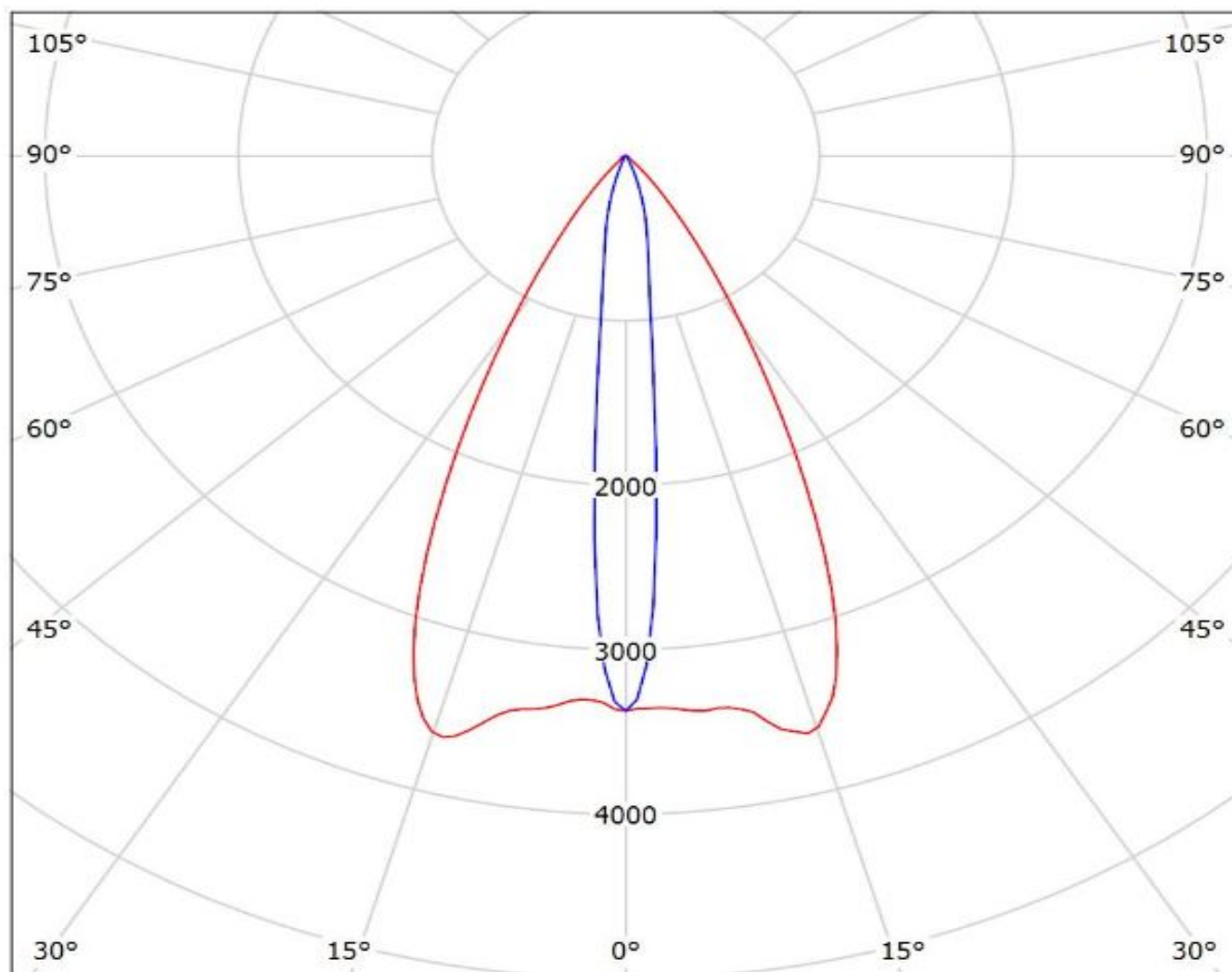


Ledil CA11266_HEIDI-O_(Fortimo_FastFlex_LED_board 2x8-757_DS_G3) / LDC (Polar)

Luminaire: Ledil CA11266_HEIDI-O_(Fortimo_FastFlex_LED_board 2x8-757_DS_G3)

Lamps: 1 x Philips_Fortimo_FastFlex_LED_board 2x8/757_DS_G3_(XP-G2)

_3428.78lm@500mA_P=23.7W_I=0.5A

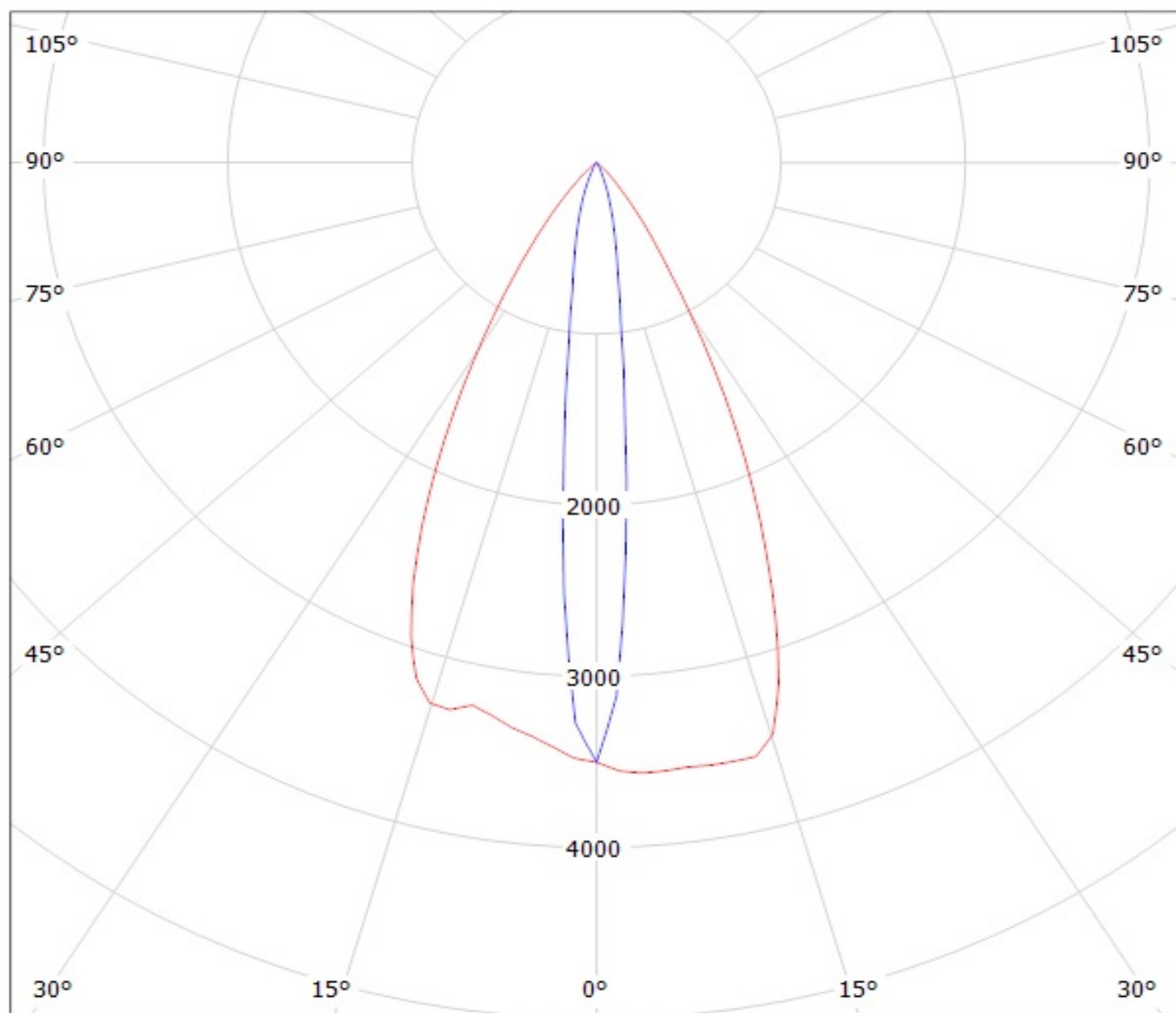


cd/klm

— C0 - C180 — C90 - C270

$\eta = 86\%$

Luminaire: Ledil Oy CA11266_HEIDI-O_(LH351Z) Efficiency=83%
Lamps: 1 x Samsung LH351Z (90.14lm @ 250mA) CCT=6500K P=0.7W I=250mA

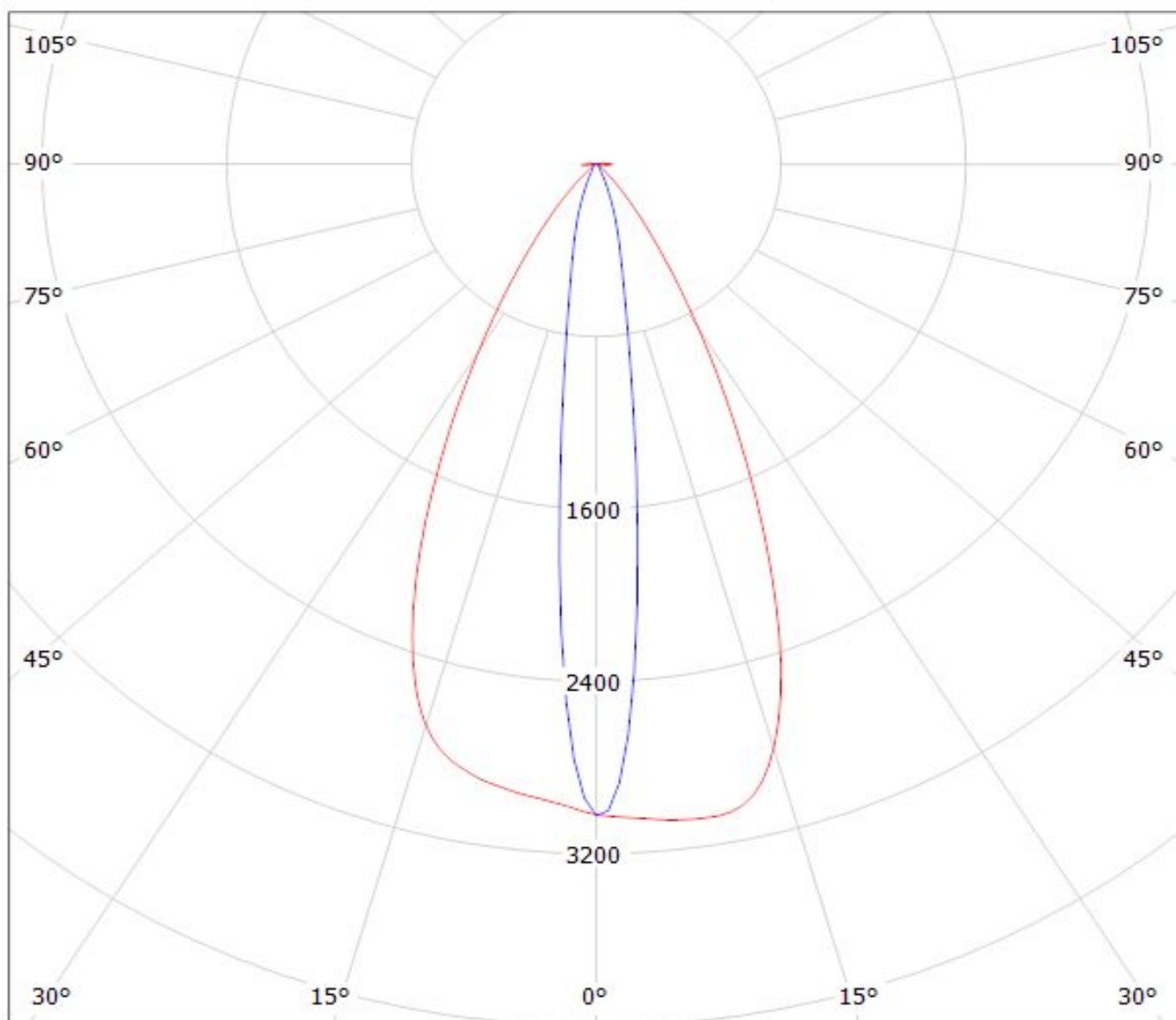


cd/klm

— C0 - C180 — C90 - C270

Luminaire: LEDiL Oy CA11266_HEIDI-O_(LH351B)

Lamps: 1 x SAMSUNG_LH351B_107.366lm@250mA_P=2.9308W_I=249.9mA



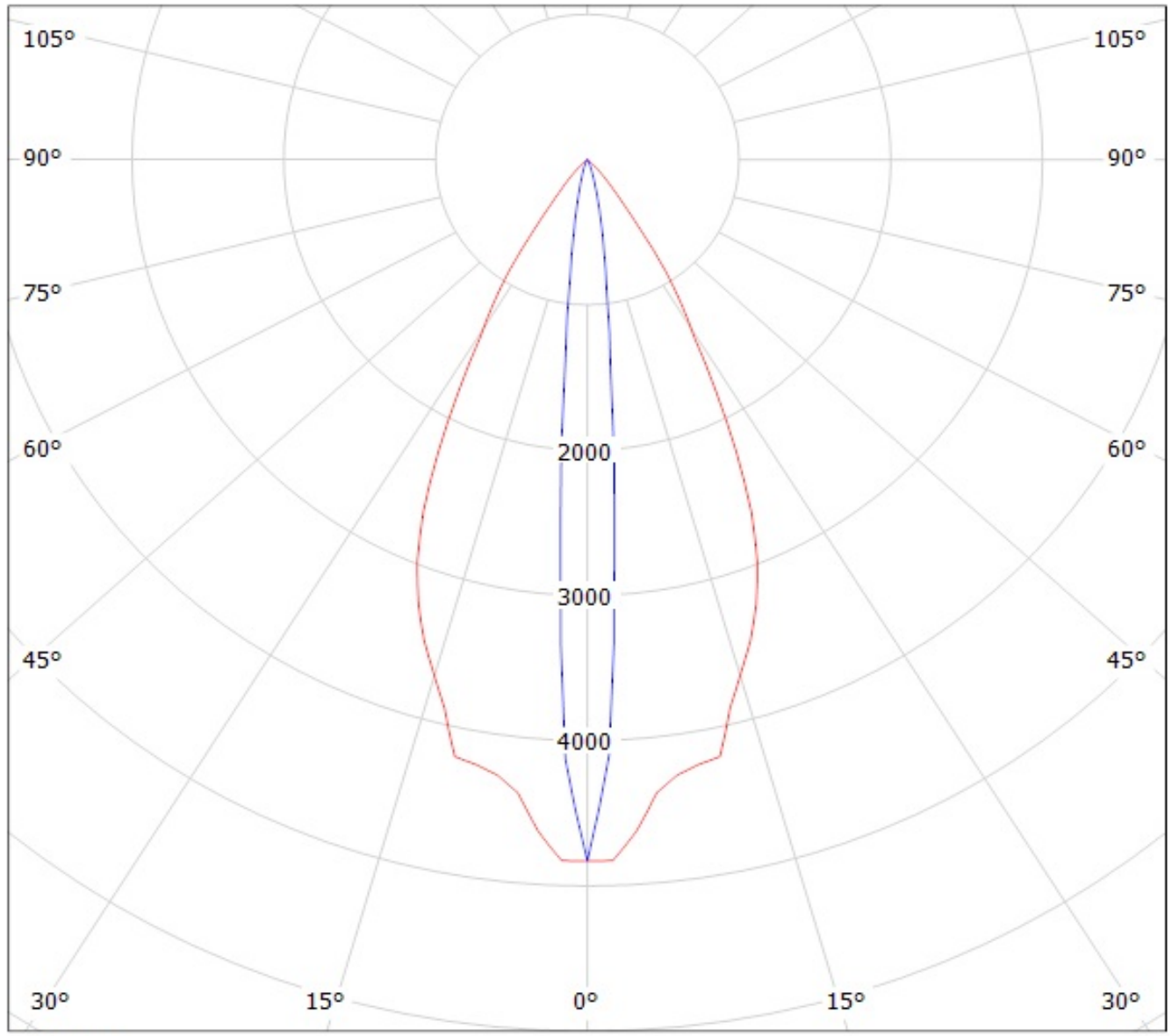
cd/klm

— C0 - C180

— C90 - C270

$\eta = 84\%$

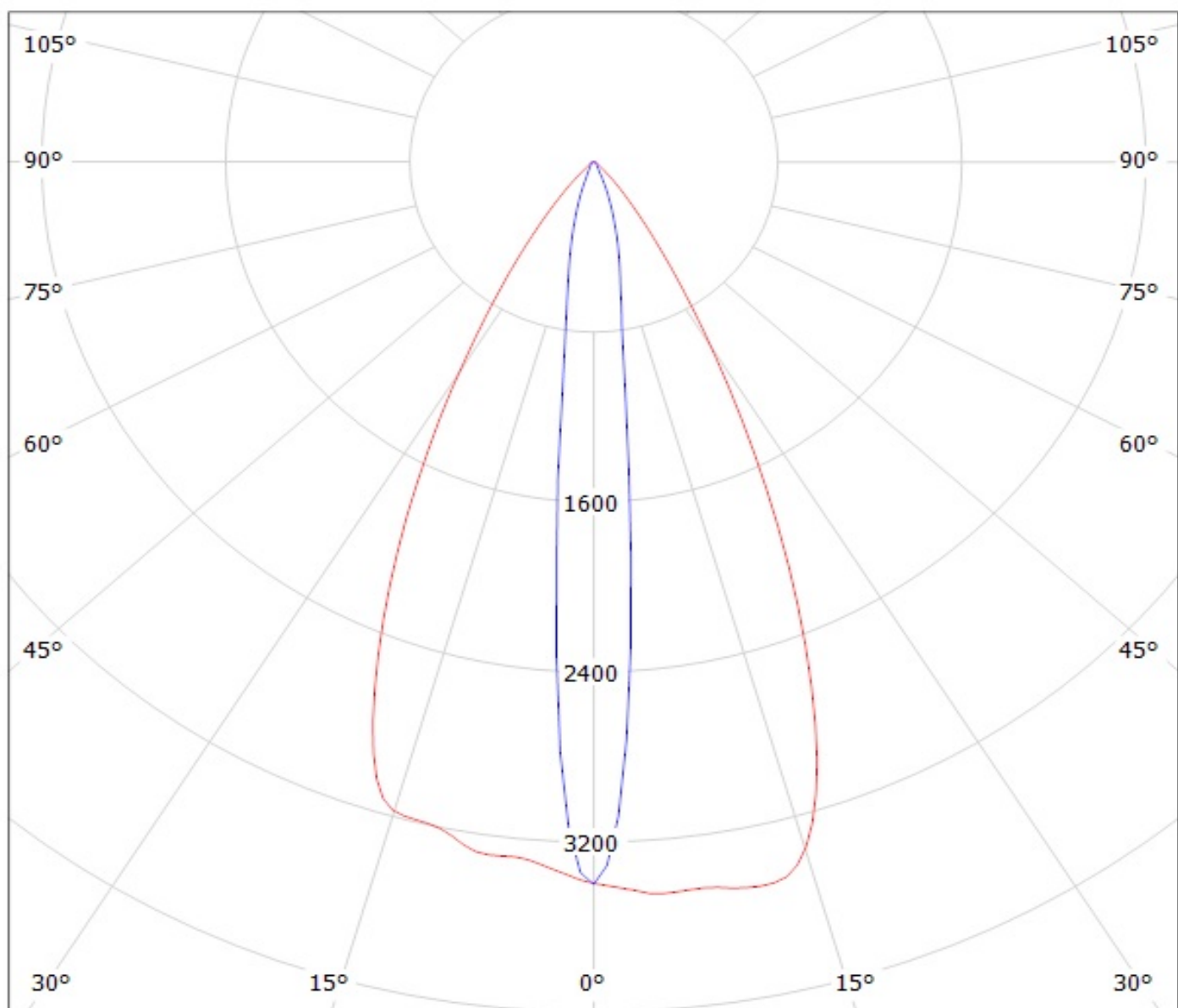
Luminaire: Ledil Oy CA11266_HEIDI-O (Seoul Z5 68lm @ 250mA) Efficiency=86%
Lamps: 1 x Seoul Z5 68lm @ 250mA



cd/klm
— C0 - C180 — C90 - C270

Luminaire: LEDiL Oy CA11266_HEIDI-O_(Z5M1) Eff. 85%

Lamps: 1 x Seoul_Z5M1_107.648lm@250mA_CCT=9074K_P=0.739754W_I=249.9mA

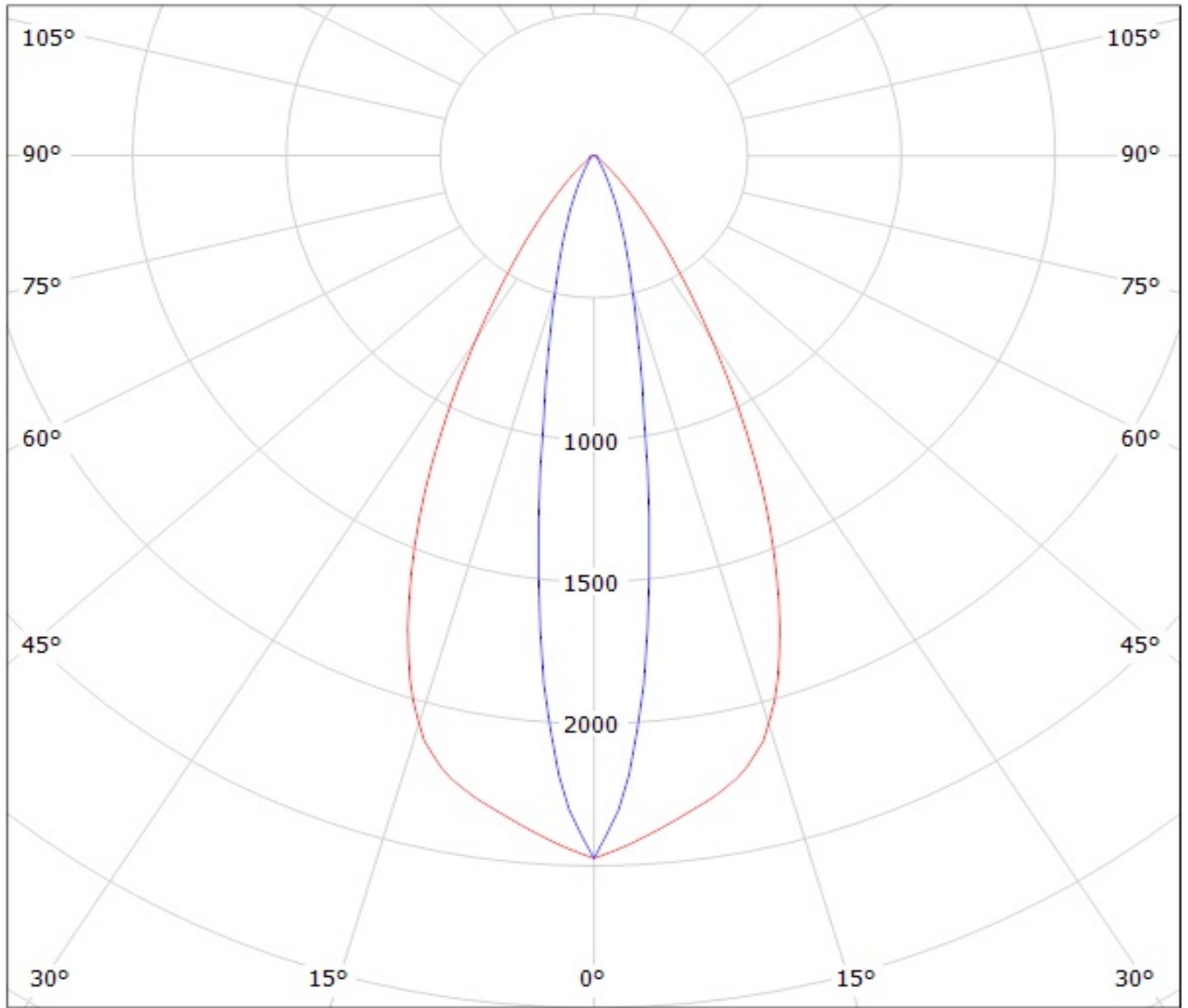


cd/klm

— C0 - C180

— C90 - C270

Luminaire: Ledil Oy CA11266_HEIDI-O (Sharp Double Dome 76lm @ 250mA) Efficiency=85%
Lamps: 1 x Sharp Double Dome 76lm @ 250mA



cd/klm

— C0 - C180 — C90 - C270

NOTE: The typical divergence will be changed by different color, chip size and chip position tolerance. The typical total divergence is the full angle measured where the luminous intensity is half of the peak value.