

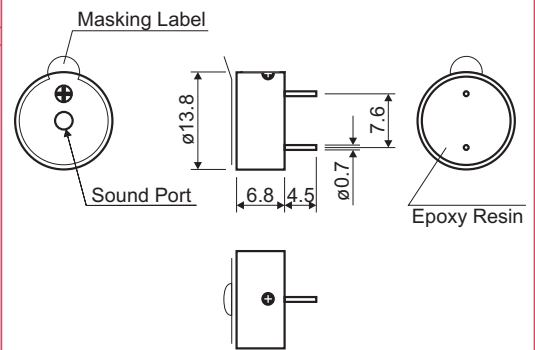
SoniCrest PIEZO SOUND GENERATORS



HPM14A

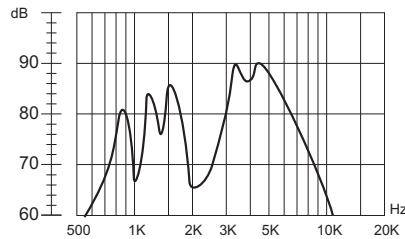
Dimension

Unit : mm
Tolerance : ± 0.3 mm



Frequency Response

Applied Voltage : 5Vp-p, 50% Duty Square Wave
Measuring Distance : 10cm



Specification (all data taken at 25°C unless otherwise specified)

HPM14A	Rated Voltage (Vp-p)	Operating Voltage (Vp-p)	★Rated Current (mA)	★Sound Output at 10cm (dB)	★Rated Frequency (Hz)	Capacitance (nF)	Operating Temperature (°C)	Storage Temperature (°C)	Weight (g)
	5	1 ~ 20	≤ 3	≥ 80	4000 ± 500	15 ± 30%	-20 ~ +85	-20 ~ +85	1

★Value Applying Rated Voltage, Rated Frequency, 50% Duty Square Wave