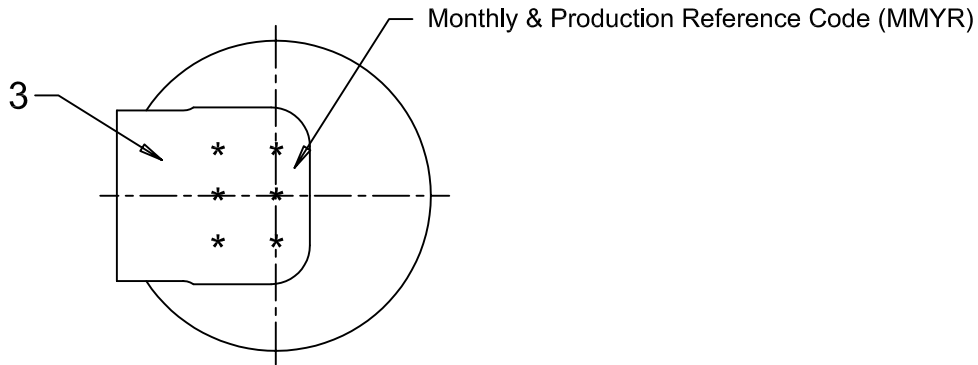
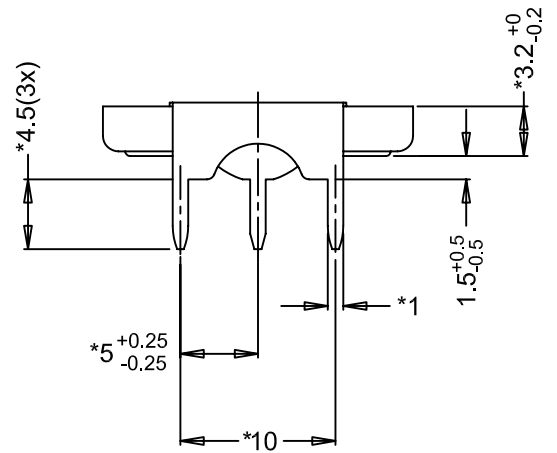
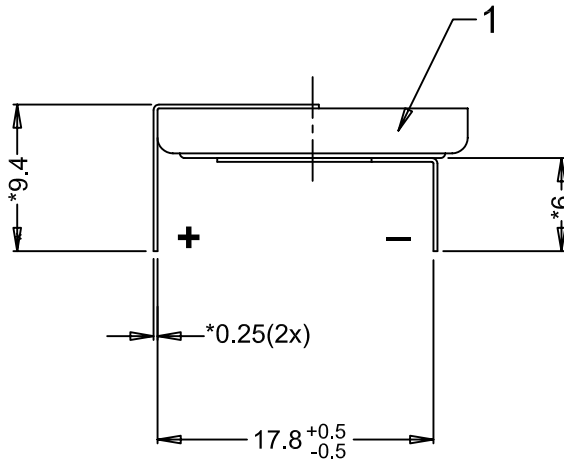
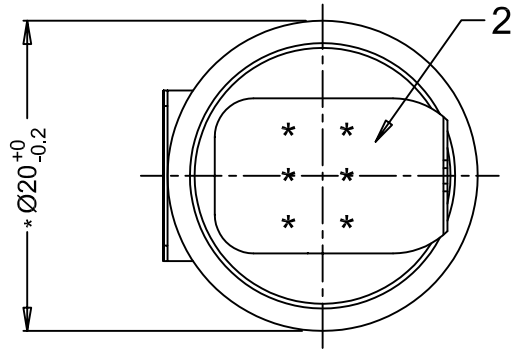


VARTA Microbattery

mobility for you

This is a controlled document.
 Hardcopy to be endorsed by authorized person.
 Check with Issuing Office or SAP system for latest update.



Note: * Dimensions for reference only

Approx. wt : 3 g

1	R113/04	Change date code to MMYR was MMY Y to identification the laser machine	2004-12-22	Ratna
0		Refer to faxed from Ophella	2001-10-25	Ratna
No	AO No	Revisions	1	Date
				Name

Projection:		Material: Refer to part list no: 073229		Description: CR2032 battery with solder tags	
Dimensions in mm	Prepared & Checked	Verified & Approved	Dwg. No:	073229	401
Tolerance: As specified	2001-10-25	Ratna	VKB Order No:	06032 401 013	
Scale: 2 : 1					

Rights reserved to make technical changes, as a result of further development, without notice. This drawing is the property of VARTA Microbattery and must not be copied or disclosed to a third party without the written consent of VARTA Microbattery.

