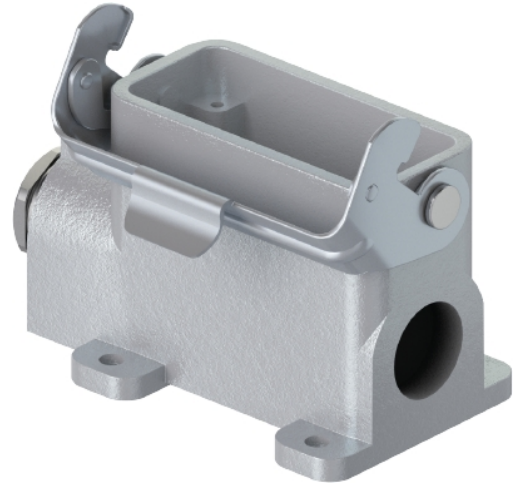


Data sheet

Commercial Art.No.: 76.331.2535.0

Bottom HD GUT GM 25 M20 50 A0

Bottom-base revos HD made of aluminum, with single locking lever and cable gland M20 on the left side (IP54), low version, 25-poles



Commercial Art.No.	76.331.2535.0
EAN	4015573619470
Order Unit	1

Technical data

General

Housing material	aluminum
Color	Grey
Surface	With powder coating
Degree of protection (IP)	IP54
UV resistant	yes
Inflammability class of insulation material acc. with UL94	Other
Operating temperature range min.	-40 °C
Operating temperature range max.	120 °C

Model

Construction	16/25
Locking mechanism	Single locking lever
Cable entry	Sideways
Type of cable	Gland nut
With cable screw gland	yes
Thread size M	20
Thread size PG	
Hinged lid	No
EMC-version	No
Length	96 mm
Width	50 mm
Height	57.5 mm

Classification

ECLASS 11	
-----------	--

ECLASS 8.1	27440202
ETIM 7.0	EC000437
ETIM 6.0	EC000437
ETIM 5.0	EC000437
ETIM 4.0	EC000437
ETIM 3.0	EC000437

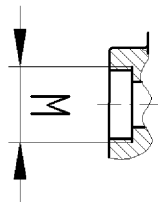
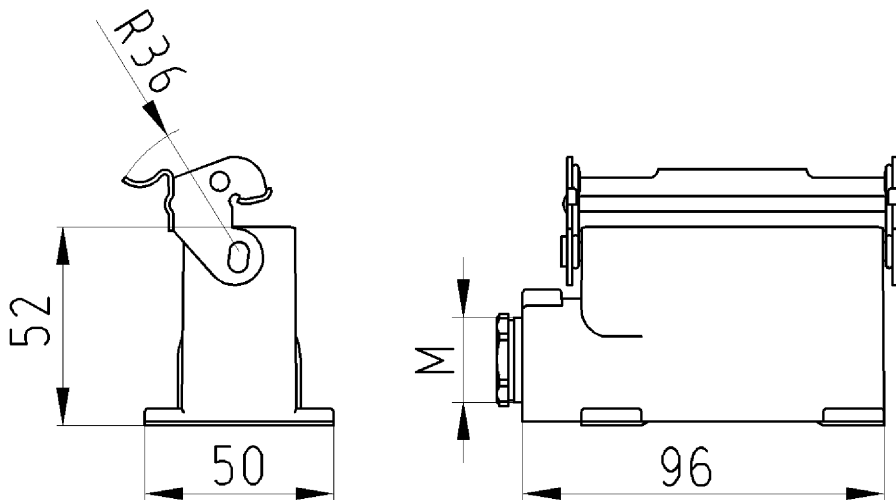
Product compliance

ROHS conformity status	Compliant/Exempted
ROHS exceptions	III-6(c)
REACH-SVHC conformity status	Duty-To-Declare
REACH-SVHC substances	Lead
REACH-SVHC CAS numbers	7439-92-1

Fits with

Commercial Art.No.:	Article-type description:	Description:
73.300.1653.0	Female insert HD BUS 16 2,5 25 AG	revos BASIC HD 16 pole + ground, female insert 250V/16A, screw connection
73.300.1653.3	Female insert HD BUS SB 16 2,5 25 AG	revos BASIC HD 16 pole + ground, female insert, marked 17-32, 250V/16A, screw connection
73.310.1653.0	Male insert HD STS 16 2,5 25 AG	revos BASIC HD 16 pole + ground, male insert 250V/16A, screw connection
73.310.1653.3	Male insert HD STS SB 16 2,5 25 AG	revos BASIC HD 16 pole + ground, male insert, marked 17-32, 250V/16A, screw connection
73.700.2553.0	Female insert HD BUC 25 25	revos HD 25 pole + ground, female insert 250V/10A, crimp connection
73.710.2553.0	Male insert HD STC 25 25	revos HD 25 pole + ground, male insert 250V/10A, crimp connection

version .0



version .1

Gehäuseunterteil
76.331.2528.0

Zeichnungsnummer
76.331.2528.010W
Gehäuseunterteil

09.01.2008
Hoffmann Angelika
M 1:2