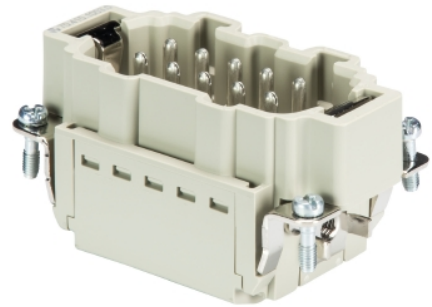


## Data sheet

Commercial Art.No.: 70.415.1053.0

Male insert BAS STP 10 2,5 50 AG

Male insert revos basic, 10-poles, rated current: 16A, rated voltage: 500V, with silver-plated contacts



Commercial Art.No.	70.415.1053.0
EAN	4049088257957
Order Unit	1

Certificates / Approvals



## Technical data

### General

Model	Pin insert
Inflammability class of insulation material acc. with UL94	V0
Color	Grey
Mating cycles	500
Pollution degree	3
Modular version	No
Operating temperature range min.	-40 °C
Operating temperature range max.	120 °C

### Connection Data

Connection type	Plug-in connection
Number of poles	10
Total number of poles (without ground contact)	10
With wire protection	No
Min. conductor diameter rigid (solid/stranded)	0.5 mm <sup>2</sup>
Max. conductor diameter rigid (solid/stranded)	2.5 mm <sup>2</sup>

### Technical Data UL/CSA

Rated voltage according to UL/CSA	600 V
Rated current according UL	13 A
Rated current according CSA	13 A
Min. conductor cross section flexible wire	26 AWG
Max. conductor cross section flexible wire	14 AWG

### Model

With housing	No
--------------	----

#### Contacts

Contact material	Copper alloy
Surface	Silver-plated
Contact resistance	≤ 5 mOhm
Wire strip length	9 mm

#### Technical Data DIN EN 61984

Nominal voltage	500 V
Nominal current	16 A
Rated impulse voltage	6 kV

#### Classification

ECLASS 11	
ECLASS 8.1	27440205
ETIM 7.0	EC000438
ETIM 6.0	EC000438
ETIM 5.0	EC000438

#### Product compliance

ROHS conformity status	Compliant
REACH-SVHC conformity status	Compliant

#### Accessories

Commercial Art.No.:	Article-type description:	Description:
Z5.553.2921.0	Test plug ST 2 / 2.3 ROT	Test plug 2.3 mm, color: red

#### Fits with

Commercial Art.No.:	Article-type description:	Description:
70.940.1053.3	Multipole adapter set BAS GAZSHLB10 4,0 50	Multipole adapter revos BASIC 500V/16A with base, screw connection 10 pole + ground, long design, female insert, ground left, double locking lever
70.940.1053.4	Multipole adapter set BAS GAZSNLB10 4,0 50	Multipole adapter revos BASIC 500V/16A with base, screw connection 10 pole + ground, short design, female insert, ground left, double locking lever
70.945.1053.4	Multipole adapter set BAS GAZSNRB10 4,0 50	Multipole adapter revos BASIC 500V/16A with base, screw connection 10 pole + ground, short design, female insert, ground right, double locking lever
70.500.1053.0	Female insert BAS BUF 10 2,5 50	Female insert revos basic, 10-poles, rated current: 16A, rated voltage:500V, with silver-plated contacts
70.502.1053.0	Female insert BAS BUM 10 2,5 50 AG	Female insert revos basic, 10-poles, rated current: 16A, rated voltage:500V, with silver-plated contacts
70.700.1058.0	Female insert BAS BUC 10 50	Female insert revos basic, 10-poles, rated current: 16A, rated voltage:500V, with tin-plated contacts
71.350.1035.0	Hood BAS GOT GG 10 M20 A0	Hood revos basic made of aluminum, for single locking lever with cable gland M20 on the right side (IP54), low version, 10-poles

71.350.1035.1	Hood BAS GOT GG 10 M20 A1	Hood revos basic made of aluminum, for single locking lever with threaded hole M20 on the right side, low version, 10-poles
71.350.1035.2	Hood BAS GOT GG 10 M20 A2	Hood revos basic made of aluminum, for single locking lever with nozzleM20 on the right side, low version, 10-poles
71.350.1035.3	Hood BAS GOT GG 10 M20 A3	Hood revos basic made of aluminum, for single locking lever with trumpet gland M20 on the right side (IP54), low version, 10-poles
71.352.1035.0	Hood BAS GOT GI 10 M20 A0	Hood revos basic made of aluminum, for single locking lever with cable gland M20 on the top (IP54), low version, 10-poles
71.352.1035.1	Hood BAS GOT GI 10 M20 A1	Hood revos basic made of aluminum, for single locking lever with threaded hole M20 on the top, low version, 10-poles
71.352.1035.2	Hood BAS GOT GI 10 M20 A2	Hood revos basic made of aluminum, for single locking lever with nozzleM20 on the top, low version, 10-poles
71.352.1035.3	Hood BAS GOT GI 10 M20 A3	Hood revos basic made of aluminum, for single locking lever with trumpet gland M20 on the top (IP54), low version, 10-poles
71.353.1035.0	Hood BAS GOT GG 10 M25 A0	Hood revos basic made of aluminum, for single locking lever with cable gland M25 on the right side (IP54), low version, 10-poles
71.353.1035.1	Hood BAS GOT GG 10 M25 A1	Hood revos basic made of aluminum, for single locking lever with threaded hole M25 on the right side, low version, 10-poles
71.353.1035.3	Hood BAS GOT GG 10 M25 A3	Hood revos basic made of aluminum, for single locking lever with trumpet gland M25 on the right side (IP54), low version, 10-poles
71.354.1035.0	Hood BAS GOT GI 10 M25 A1	Hood revos basic made of aluminum, for single locking lever with threaded hole M25 on the top, low version, 10-poles
71.354.1035.1	Hood BAS GOT GI 10 M25 A2	Hood revos basic made of aluminum, for single locking lever with nozzleM25 on the top, low version, 10-poles
71.354.1035.3	Hood BAS GOT GI 10 M25 A5	Hood revos basic made of aluminum, for single locking lever with cable gland M25 on the top (IP65), low version, 10-poles
71.372.1035.0	Hood BAS GOT GL 10 M20 A0	Hood revos basic made of aluminum, with single locking lever and cable gland M20 on the top - free cable connection (IP54), low version, 10-poles
71.372.1035.1	Hood BAS GOT GL 10 M20 A1	Hood revos basic made of aluminum, with single locking lever and threaded hole M20 on the top - free cable connection, low version, 10-poles
71.372.1035.3	Hood BAS GOT GL 10 M20 A3	Hood revos basic made of aluminum, with single locking lever and trumpet gland M20 on the top - free cable connection (IP54), low version, 10-poles
71.450.1037.1	Hood BAS GOM GG10 M20 B1	Hood revos basic metal-series without coating, for single locking lever with threaded hole M20 on the right side, low version, 10-poles
71.452.1037.1	Hood BAS GOM GI10 M20 B1	Hood revos basic metal-series without coating, for single locking lever with threaded hole M20 on the top, low version, 10-poles
76.350.1035.0	Hood BAS GOT GG 10HM25 50 A0	Hood revos basic made of aluminum, for single locking lever with cable gland M25 on the right side (IP54), low version, 10-poles
76.350.1035.1	Hood BAS GOT GG 10HM25 50 A1	Hood revos basic made of aluminum, for single locking lever with threaded hole M25 on the right side, low version, 10-poles
76.351.1035.0	Hood BAS GOT GH 10H M20 A0	Hood revos basic made of aluminum, for single locking lever with cable gland M20 on the front (IP54), low version, 10-poles
76.351.1035.1	Hood BAS GOT GH 10H M20 A1	Hood revos basic made of aluminum, for single locking lever with threaded hole M20 on the front, low version, 10-poles
76.351.1035.3	Hood BAS GOT GH 10H M20 A3	Hood revos basic made of aluminum, for single locking lever with trumpet gland M20 on the front (IP54), low version, 10-poles
76.352.1035.0	Hood BAS GOT GI 10HM25 50 A0	Hood revos basic made of aluminum, for single locking lever with cable gland M25 on the top (IP54), low version, 10-poles
76.352.1035.1	Hood BAS GOT GI 10HM25 50 A1	Hood revos basic made of aluminum, for single locking lever with threaded hole M25 on the top, low version, 10-poles
76.353.1035.0	Hood BAS GOT GG 10HM32 50 A0	Hood revos basic made of aluminum, for single locking lever with cable gland M32 on the right side (IP54), low version, 10-poles

76.353.1035.1	Hood BAS GOT GG 10HM32 50 A1	Hood revos basic made of aluminum, for single locking lever with threaded hole M32 on the right side, low version, 10-poles
76.353.1035.2	Hood BAS GOT GG 10HM32 50 A2	Hood revos basic made of aluminum, for single locking lever with nozzleM32 on the right side, low version, 10-poles
76.354.1035.0	Hood BAS GOT GI 10HM32 50 A0	Hood revos basic made of aluminum, for single locking lever with cable gland M32 on the top (IP54), low version, 10-poles
76.354.1035.1	Hood BAS GOT GI 10HM32 50 A1	Hood revos basic made of aluminum, for single locking lever with threaded hole M32 on the top, low version, 10-poles
76.354.1035.2	Hood BAS GOT GI 10HM32 50 A2	Hood revos basic made of aluminum, for single locking lever with nozzleM32 on the top, low version, 10-poles
71.320.1028.0	Bottom BAS GUT GK 10 A	Bottom-base revos basic made of aluminum, with single locking lever, open, low version, 10-poles
71.325.1028.0	Bottom BAS GUT GP 10 A	Bottom-base revos basic made of aluminum, with single locking lever, open, low version, 10-poles
71.330.1035.0	Bottom BAS GUT GL 10 M20 A0	Bottom-base revos basic made of aluminum, with single locking lever andcable gland M20 on the right and left side (IP54), low version, 10-polig
71.330.1035.1	Bottom BAS GUT GL 10 M20 A1	Bottom-base revos basic made of aluminum, with single locking lever andthreaded hole M20 on the right and left side, low version, 10-polig
71.331.1035.0	Bottom BAS GUT GM 10 M20 A0	Bottom-base revos basic made of aluminum, with single locking lever andcable gland M20 on the left side (IP54), low version, 10-polig
71.331.1035.1	Bottom BAS GUT GM 10 M20 A1	Bottom-base revos basic made of aluminum, with single locking lever andthreaded hole M20 on the left side, low version, 10-polig
71.333.1035.0	Bottom BAS GUT GO 10 M20 A0	Bottom-base revos basic made of aluminum, with single locking lever andcable gland M20 on the bottom (IP54), low version, 10-polig
71.333.1035.1	Bottom BAS GUT GO 10 M20 A1	Bottom-base revos basic made of aluminum, with single locking lever andthreaded hole M20 on the bottom, low version, 10-polig
71.335.1035.0	Bottom BAS GUT GM 10 M25 A0	Bottom-base revos basic made of aluminum, with single locking lever andcable gland M25 on the left side (IP54), low version, 10-polig
71.335.1035.1	Bottom BAS GUT GM 10 M25 A1	Bottom-base revos basic made of aluminum, with single locking lever andthreaded hole M25 on the left side, low version, 10-polig
71.340.1035.0	Bottom BAS GUT GR 10 M20 A0	Bottom-base revos basic made of aluminum, with single locking lever andcable gland M20 on the right and the left side, with protective cover (IP54), low version, 10-polig
71.340.1035.1	Bottom BAS GUT GR 10 M20 A1	Bottom-base revos basic made of aluminum, with single locking lever andthreaded hole M20 on the right and the left side, with protective cover, low version, 10-polig
71.341.1035.0	Bottom BAS GUT GS 10 M20 A0	Bottom-base revos basic made of aluminum, with single locking lever andcable gland M20 on the left side, with protective cover (IP54), low version, 10-polig
71.341.1035.1	Bottom BAS GUT GS 10 M20 A1	Bottom-base revos basic made of aluminum, with single locking lever andthreaded hole M20 on the left side, with protective cover, low version,10-polig
71.342.1035.0	Bottom BAS GUT GT 10 M20 A0	Bottom-base revos basic made of aluminum, with single locking lever andcable gland M20 on the right side, with protective cover (IP54), low version, 10-polig
71.342.1035.1	Bottom BAS GUT GT 10 M20 A1	Bottom-base revos basic made of aluminum, with single locking lever andthreaded hole M20 on the right side, with protective cover, low version, 10-polig
71.343.1035.0	Bottom BAS GUT GU 10 M20 A0	Bottom-base revos basic made of aluminum, with single locking lever andcable gland M20 on the bottom, with protective cover (IP54), low version, 10-polig
71.343.1035.1	Bottom BAS GUT GU 10 M20 A1	Bottom-base revos basic made of aluminum, with single locking lever andthreaded hole M20 on the bottom, with protective cover, low version, 10-polig

71.420.1037.0	Bottom BAS GUM GK 10 B	Bottom-base revos basic metal-series without coating, open, low version, 10-poles
71.425.1037.0	Bottom BAS GUM GP 10 B	Bottom-base revos basic metal-series without coating, with single locking lever and protective cover, low version, 10-poles
71.430.1037.1	Bottom BAS GUM GL 10 M20 B1	Bottom-base revos basic metal-series without coating, with single locking lever and threaded hole M20 on the right and left side, low version, 10-polig
71.431.1037.1	Bottom BAS GUM GM 10 M20 B1	Bottom-base revos basic metal-series without coating, with single locking lever and threaded hole M20 on the left side, low version, 10-polig
71.440.1037.1	Bottom BAS GUM GR 10 M20 B1	Bottom-base revos basic metal-series without coating, with single locking lever and threaded hole M20 on the right and the left side, with protective cover, low version, 10-polig
71.441.1037.1	Bottom BAS GUM GS 10 M20 B1	Bottom-base revos basic metal-series without coating, with single locking lever and threaded hole M20 on the left side, with protective cover, low version, 10-polig
76.330.1035.0	Bottom BAS GUT GL 10HM25 50 A0	Bottom-base revos basic made of aluminum, with single locking lever and cable gland M25 on the right and left side (IP54), low version, 10-polig
76.330.1035.1	Bottom BAS GUT GL 10HM25 50 A1	Bottom-base revos basic made of aluminum, with single locking lever and threaded hole M25 on the right and left side, low version, 10-polig
76.331.1035.0	Bottom BAS GUT GM 10HM25 50 A0	Bottom-base revos basic made of aluminum, with single locking lever and cable gland M25 on the left side (IP54), low version, 10-polig
76.331.1035.1	Bottom BAS GUT GM 10HM25 50 A1	Bottom-base revos basic made of aluminum, with single locking lever and threaded hole M25 on the left side, low version, 10-polig
76.334.1035.0	Bottom BAS GUT GL 10HM32 50 A0	Bottom-base revos basic made of aluminum, with single locking lever and cable gland M32 on the right and left side (IP54), low version, 10-polig
76.334.1035.1	Bottom BAS GUT GL 10HM32 50 A1	Bottom-base revos basic made of aluminum, with single locking lever and threaded hole M32 on the right and left side, low version, 10-polig
76.335.1035.1	Bottom BAS GUT GM 10HM32 50 A1	Bottom-base revos basic made of aluminum, with single locking lever and threaded hole M32 on the left side, low version, 10-polig
76.340.1035.0	Bottom BAS GUT GR 10HM25 50 A0	Bottom-base revos basic made of aluminum, with single locking lever and cable gland M25 on the right and the left side, with protective cover (IP54), low version, 10-polig
76.340.1035.1	Bottom BAS GUT GR 10HM25 50 A1	Bottom-base revos basic made of aluminum, with single locking lever and threaded hole M25 on the right and the left side, with protective cover, low version, 10-polig
76.341.1035.0	Bottom BAS GUT GS 10HM25 50 A0	Bottom-base revos basic made of aluminum, with single locking lever and cable gland M25 on the left side, with protective cover (IP54), low version, 10-polig
76.341.1035.1	Bottom BAS GUT GS 10HM25 50 A1	Bottom-base revos basic made of aluminum, with single locking lever and threaded hole M25 on the left side, with protective cover, low version, 10-polig
76.342.1035.0	Bottom BAS GUT GT 10HM25 50 A0	Bottom-base revos basic made of aluminum, with single locking lever and cable gland M25 on the right side, with protective cover (IP54), low version, 10-polig
76.342.1035.1	Bottom BAS GUT GM 10HM25 50 A1	Bottom-base revos basic made of aluminum, with single locking lever and threaded hole M25 on the left side, low version, 10-polig
76.344.1035.0	Bottom BAS GUT GR 10HM32 50 A0	Bottom-base revos basic made of aluminum, with single locking lever and cable gland M32 on the right and the left side, with protective cover (IP54), low version, 10-polig
76.344.1035.1	Bottom BAS GUT GR 10HM32 50 A1	Bottom-base revos basic made of aluminum, with single locking lever and threaded hole M32 on the right and the left side, with protective cover, low version, 10-polig

76.345.1035.1	Bottom BAS GUT GS 10HM32 50 A1	Bottom-base revos basic made of aluminum, with single locking lever and threaded hole M32 on the left side, with protective cover, low version, 10-pole
76.346.1035.1	Bottom BAS GUT GT 10HM32 50 A1	Bottom-base revos basic made of aluminum, with single locking lever and threaded hole M32 on the right side, with protective cover, low version, 10-pole
70.350.1035.0	Hood BAS GOT GA 10 M20 A0	Hood revos basic made of aluminum, for double locking lever or. screw cap with cable gland M20 on the right side (IP54), low version, 10-poles
70.350.1035.1	Hood BAS GOT GA 10 M20 A1	Hood revos basic made of aluminum, for double locking lever or. screw cap with threaded hole M20 on the right side, low version, 10-poles
70.350.1035.2	Hood BAS GOT GA 10 M20 A2	Hood revos basic made of aluminum, for double locking lever or. screw cap with nozzle M20 on the right side, low version, 10-poles
70.350.1035.3	Hood BAS GOT GA 10 M20 A3	Hood revos basic made of aluminum, for double locking lever or. screw cap with trumpet gland M20 on the right side (IP54), low version, 10-poles
70.352.1035.0	Hood BAS GOT GC 10 M20 A0	Hood revos basic made of aluminum, for double locking lever or. screw cap with cable gland M20 on the top (IP54), low version, 10-poles
70.352.1035.1	Hood BAS GOT GC 10 M20 A1	Hood revos basic made of aluminum, for double locking lever or. screw cap with threaded hole M20 on the top, low version, 10-poles
70.352.1035.2	Hood BAS GOT GC 10 M20 A2	Hood revos basic made of aluminum, for double locking lever or. screw cap with nozzle M20 on the top, low version, 10-poles
70.352.1035.3	Hood BAS GOT GC 10 M20 A3	Hood revos basic made of aluminum, for double locking lever or. screw cap with trumpet gland M20 on the top (IP54), low version, 10-poles
70.353.1035.0	Hood BAS GOT GA 10 M25 A0	Hood revos basic made of aluminum, for double locking lever or. screw cap with cable gland M25 on the right side (IP54), low version, 10-poles
70.353.1035.1	Hood BAS GOT GA 10 M25 A1	Hood revos basic made of aluminum, for double locking lever or. screw cap with threaded hole M25 on the right side, low version, 10-poles
70.353.1035.2	Hood BAS GOT GA 10 M25 A2	Hood revos basic made of aluminum, for double locking lever or. screw cap with nozzle M25 on the right side, low version, 10-poles
70.353.1035.3	Hood BAS GOT GA 10 M25 A3	Hood revos basic made of aluminum, for double locking lever or. screw cap with trumpet gland M25 on the right side (IP54), low version, 10-poles
70.354.1035.0	Hood BAS GOT GC 10 M25 A0	Hood revos basic made of aluminum, for double locking lever or. screw cap with cable gland M25 on the top (IP54), low version, 10-poles
70.354.1035.1	Hood BAS GOT GC 10 M25 A1	Hood revos basic made of aluminum, for double locking lever or. screw cap with threaded hole M25 on the top, low version, 10-poles
70.354.1035.2	Hood BAS GOT GC 10 M25 A2	Hood revos basic made of aluminum, for double locking lever or. screw cap with nozzle M25 on the top, low version, 10-poles
70.354.1035.3	Hood BAS GOT GC 10 M25 A3	Hood revos basic made of aluminum, for double locking lever or. screw cap with trumpet gland M25 on the top (IP54), low version, 10-poles
70.355.1035.0	Hood BAS GOT GD 10 M20 A0	Hood revos basic made of aluminum, with double locking lever and cable gland M20 on the right side (IP54), low version, 10-poles
70.355.1035.1	Hood BAS GOT GD 10 M20 A1	Hood revos basic made of aluminum, with double locking lever and threaded hole M20 on the right side, low version, 10-poles
70.355.1035.2	Hood BAS GOT GD 10 M20 A2	Hood revos basic made of aluminum, with double locking lever and nozzle M20 on the right side, low version, 10-poles
70.355.1035.3	Hood BAS GOT GD 10 M20 A3	Hood revos basic made of aluminum, with double locking lever and trumpet gland M20 on the right side (IP54), low version, 10-poles



70.357.1035.0	Hood BAS GOT GF 10 M20 A0	Hood revos basic made of aluminum, with double locking lever and cable gland M20 on the top (IP54), low version, 10-poles
70.357.1035.1	Hood BAS GOT GF 10 M20 A1	Hood revos basic made of aluminum, with double locking lever and threaded hole M20 on the top, low version, 10-poles
70.357.1035.3	Hood BAS GOT GF 10 M20 A3	Hood revos basic made of aluminum, with double locking lever and trumpet gland M20 on the top (IP54), low version, 10-poles
70.358.1035.0	Hood BAS GOT GD 10 M25 A0	Hood revos basic made of aluminum, with double locking lever and cable gland M25 on the right side (IP54), low version, 10-poles
70.358.1035.1	Hood BAS GOT GD 10 M25 A1	Hood revos basic made of aluminum, with double locking lever and threaded hole M25 on the right side, low version, 10-poles
70.358.1035.3	Hood BAS GOT GD 10 M25 A3	Hood revos basic made of aluminum, with double locking lever and trumpet gland M25 on the right side (IP54), low version, 10-poles
70.359.1035.0	Hood BAS GOT GF 10 M25 A0	Hood revos basic made of aluminum, with double locking lever and cable gland M25 on the top (IP54), low version, 10-poles
70.359.1035.1	Hood BAS GOT GF 10 M25 A1	Hood revos basic made of aluminum, with double locking lever and threaded hole M25 on the top, low version, 10-poles
70.359.1035.3	Hood BAS GOT GF 10 M25 A3	Hood revos basic made of aluminum, with double locking lever and trumpet gland M25 on the top (IP54), low version, 10-poles
70.372.1035.0	Hood BAS GOT GK 10 M20 A0	Hood revos basic made of aluminum, with double locking lever and cable gland M20 on the top - free cable connection (IP54), low version, 10-poles
70.372.1035.1	Hood BAS GOT GK 10 M20 A1	Hood revos basic made of aluminum, with double locking lever and threaded hole M20 on the top - free cable connection, low version, 10-poles
70.372.1035.3	Hood BAS GOT GK 10 M20 A3	Hood revos basic made of aluminum, with double locking lever and trumpet gland M20 on the top - free cable connection (IP54), low version, 10-poles
73.350.1035.0	Hood BAS GOT GA 10HM25 50 A0	Hood revos basic made of aluminum, for double locking lever or screw cap with cable gland M25 on the right side (IP54), low version, 10-poles
73.350.1035.1	Hood BAS GOT GA 10HM25 50 A1	Hood revos basic made of aluminum, for double locking lever or screw cap with threaded hole M25 on the right side, low version, 10-poles
73.350.1035.3	Hood BAS GOT GA 10 M20 A3	Hood revos basic made of aluminum, for double locking lever or screw cap with trumpet gland M20 on the right side (IP54), low version, 10-poles
73.351.1035.0	Hood BAS GOT GB 10H M20 A0	Hood revos basic made of aluminum, for double locking lever and cable gland M20 on the front (IP54), low version, 10-poles
73.351.1035.1	Hood BAS GOT GB 10H M20 A1	Hood revos basic made of aluminum, for double locking lever and threaded hole M20 on the front, low version, 10-poles
73.352.1035.0	Hood BAS GOT GC 10HM25 50 A0	Hood revos basic made of aluminum, for double locking lever or screw cap with cable gland M25 on the top (IP54), low version, 10-poles
73.352.1035.1	Hood BAS GOT GC 10HM25 50 A1	Hood revos basic made of aluminum, for double locking lever or screw cap with threaded hole M25 on the top, low version, 10-poles
73.353.1035.0	Hood BAS GOT GA 10HM32 50 A0	Hood revos basic made of aluminum, for double locking lever or screw cap with cable gland M32 on the right side (IP54), low version, 10-poles
73.353.1035.1	Hood BAS GOT GA 10HM32 50 A1	Hood revos basic made of aluminum, for double locking lever or screw cap with threaded hole M32 on the right side, low version, 10-poles
73.353.1035.3	Hood BAS GOT GA 10HM32 50 A3	Hood revos basic made of aluminum, for double locking lever or screw cap with trumpet gland M32 on the right side (IP54), low version, 10-poles

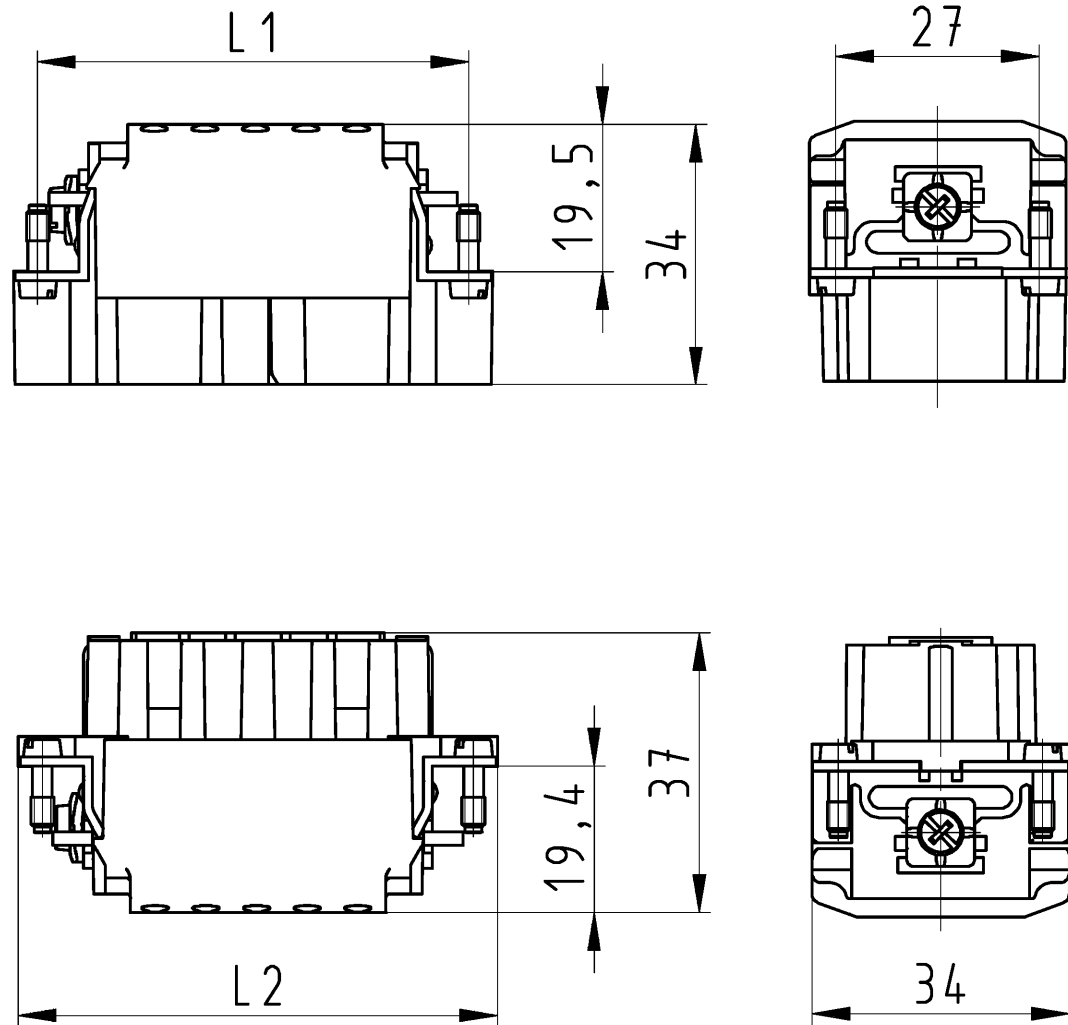
73.354.1035.0	Hood BAS GOT GC 10HM32 50 A0	Hood revos basic made of aluminum, for double locking lever or screw cap with cable gland M32 on the top (IP54), low version, 10-poles
73.354.1035.1	Hood BAS GOT GC 10HM32 50 A1	Hood revos basic made of aluminum, for double locking lever or screw cap with threaded hole M32 on the top, low version, 10-poles
70.320.1028.0	Bottom BAS GUT GA 10 A	Bottom-base revos basic made of aluminum, with double locking lever or screw cap, low version, 10-poles
70.325.1028.0	Bottom BAS GUT GE 10 A	Bottom-base revos basic made of aluminum, for double locking lever and protective cover, open, low version, 10-poles
70.330.1035.0	Bottom BAS GUT GB 10 M20 A0	Bottom-base revos basic made of aluminum, with double locking lever or screw cap with cable gland M20 on the right and left side (IP54), low version, 10-polig
70.330.1035.1	Bottom BAS GUT GB 10 M20 A1	Bottom-base revos basic made of aluminum, with double locking lever or screw cap with threaded hole M20 on the right and left side, low version, 10-polig
70.331.1035.0	Bottom BAS GUT GC 10 M20 A0	Bottom-base revos basic made of aluminum, with double locking lever or screw cap with cable gland M20 on the left side (IP54), low version, 10-polig
70.331.1035.1	Bottom BAS GUT GC 10 M20 A1	Bottom-base revos basic made of aluminum, with double locking lever or screw cap with threaded hole M20 on the left side, low version, 10-polig
70.333.1035.0	Bottom BAS GUT GD 10 M20 A0	Bottom-base revos basic made of aluminum, with double locking lever or screw cap with cable gland M20 on the right side (IP54), low version, 10-polig
70.333.1035.1	Bottom BAS GUT GD 10 M20 A1	Bottom-base revos basic made of aluminum, with double locking lever or screw cap with threaded hole M20 on the right side, low version, 10-polig
70.334.1035.0	Bottom BAS GUT GB 10 M25 A0	Bottom-base revos basic made of aluminum, with double locking lever or screw cap with cable gland M25 on the right and left side (IP54), low version, 10-polig
70.334.1035.1	Bottom BAS GUT GB 10 M25 A1	Bottom-base revos basic made of aluminum, with double locking lever or screw cap with threaded hole M25 on the right and left side, low version, 10-polig
70.335.1035.0	Bottom BAS GUT GC 10 M25 50 A0	Bottom-base revos basic made of aluminum, with double locking lever or screw cap with cable gland M25 on the left side (IP54), low version, 10-polig
70.335.1035.1	Bottom BAS GUT GC 10 M25 A1	Bottom-base revos basic made of aluminum, with double locking lever or screw cap with threaded hole M25 on the left side, low version, 10-polig
70.337.1035.1	Bottom BAS GUT GD 10 M25 A1	Bottom-base revos basic made of aluminum, with double locking lever or screw cap with threaded hole M25 on the right side, low version, 10-polig
70.340.1035.0	Bottom BAS GUT GF 10 M20 A0	Bottom-base revos basic made of aluminum, for double locking lever with cable gland M20 on the left and right side, with protective cover (IP54), low version, 10-polig
70.340.1035.1	Bottom BAS GUT GF 10 M20 A1	Bottom-base revos basic made of aluminum, for double locking lever with threaded hole M20 on the left and right side, with protective cover, low version, 10-polig
70.341.1035.0	Bottom BAS GUT GG 10 M20 A0	Bottom-base revos basic made of aluminum, with double locking lever and cable gland M20 on the left side, with protective cover (IP54), low version, 10-polig
70.341.1035.1	Bottom BAS GUT GG 10 M20 A1	Bottom-base revos basic made of aluminum, with double locking lever and threaded hole M20 on the left side, with protective cover, low version, 10-polig
70.342.1035.0	Bottom BAS GUT GH 10 M20 A0	Bottom-base revos basic made of aluminum, with double locking lever and cable gland M20 on the right side, with protective cover (IP54), low version, 10-polig



70.342.1035.1	Bottom BAS GUT GH 10 M20 A1	Bottom-base revos basic made of aluminum, with double locking lever and threaded hole M20 on the right side, with protective cover, low version, 10-polig
70.343.1035.0	Bottom BAS GUT GI 10 M20 A0	Bottom-base revos basic made of aluminum, with double locking lever and cable gland M20 on the bottom, with protective cover (IP54), low version, 10-polig
70.343.1035.1	Bottom BAS GUT GI 10 M20 A1	Bottom-base revos basic made of aluminum, with double locking lever and threaded hole M20 on the bottom, with protective cover, low version, 10-polig
70.344.1035.1	Bottom BAS GUT GB 10 M25 A	Bottom-base revos basic made of aluminum, with protective cover and cable glands on the right and left side (IP54), low version, 10-poles
73.330.1035.0	Bottom BAS GUT GB 10HM25 50 A0	Bottom-base revos basic made of aluminum, with double locking lever or screw cap with cable gland M25 on the right and left side (IP54), low version, 10-polig
73.330.1035.1	Bottom BAS GUT GB 10HM25 50 A1	Bottom-base revos basic made of aluminum, with double locking lever or screw cap with threaded hole M25 on the right and left side, low version, 10-polig
73.331.1035.0	Bottom BAS GUT GC 10HM25 50 A0	Bottom-base revos basic made of aluminum, with double locking lever or screw cap with cable gland M25 on the left side (IP54), low version, 10-polig
73.331.1035.1	Bottom BAS GUT GC 10HM25 50 A1	Bottom-base revos basic made of aluminum, with double locking lever or screw cap with threaded hole M25 on the left side, low version, 10-polig
73.334.1035.0	Bottom BAS GUT GB 10HM32 50 A0	Bottom-base revos basic made of aluminum, with double locking lever or screw cap with cable gland M32 on the right and left side (IP54), low version, 10-polig
73.334.1035.1	Bottom BAS GUT GB 10HM32 50 A1	Bottom-base revos basic made of aluminum, with double locking lever or screw cap with threaded hole M32 on the right and left side, low version, 10-polig
73.335.1035.0	Bottom BAS GUT GC 10HM32 50 A0	Bottom-base revos basic made of aluminum, with double locking lever or screw cap with cable gland M32 on the left side (IP54), low version, 10-polig
73.335.1035.1	Bottom BAS GUT GC 10HM32 50 A1	Bottom-base revos basic made of aluminum, with double locking lever or screw cap with threaded hole M32 on the left side, low version, 10-polig
73.340.1035.0	Bottom BAS GUT GF 10HM25 50 A0	Bottom-base revos basic made of aluminum, for double locking lever with cable gland M25 on the left and right side, with protective cover (IP54), low version, 10-polig
73.340.1035.1	Bottom BAS GUT GF 10HM25 50 A1	Bottom-base revos basic made of aluminum, for double locking lever with threaded hole M25 on the left and right side, with protective cover, low version, 10-polig
73.341.1035.1	Bottom BAS GUT GG 10HM25 50 A1	Bottom-base revos basic made of aluminum, with double locking lever and threaded hole M25 on the left side, with protective cover, low version, 10-polig
73.342.1035.1	Bottom BAS GUT GH 10HM25 50 A1	Bottom-base revos basic made of aluminum, with double locking lever and threaded hole M25 on the right side, with protective cover, low version, 10-polig
73.344.1035.1	Bottom BAS GUT GF 10HM32 50 A1	Bottom-base revos basic made of aluminum, for double locking lever with threaded hole M32 on the left and right side, with protective cover, low version, 10-polig
73.345.1035.0	Bottom BAS GUT GG 10HM32 50 A0	Bottom-base revos basic made of aluminum, with double locking lever and cable gland M32 on the left side, with protective cover (IP54), low version, 10-polig
73.345.1035.1	Bottom BAS GUT GG 10HM32 50 A1	Bottom-base revos basic made of aluminum, with double locking lever and threaded hole M32 on the left side, with protective cover, low version, 10-polig

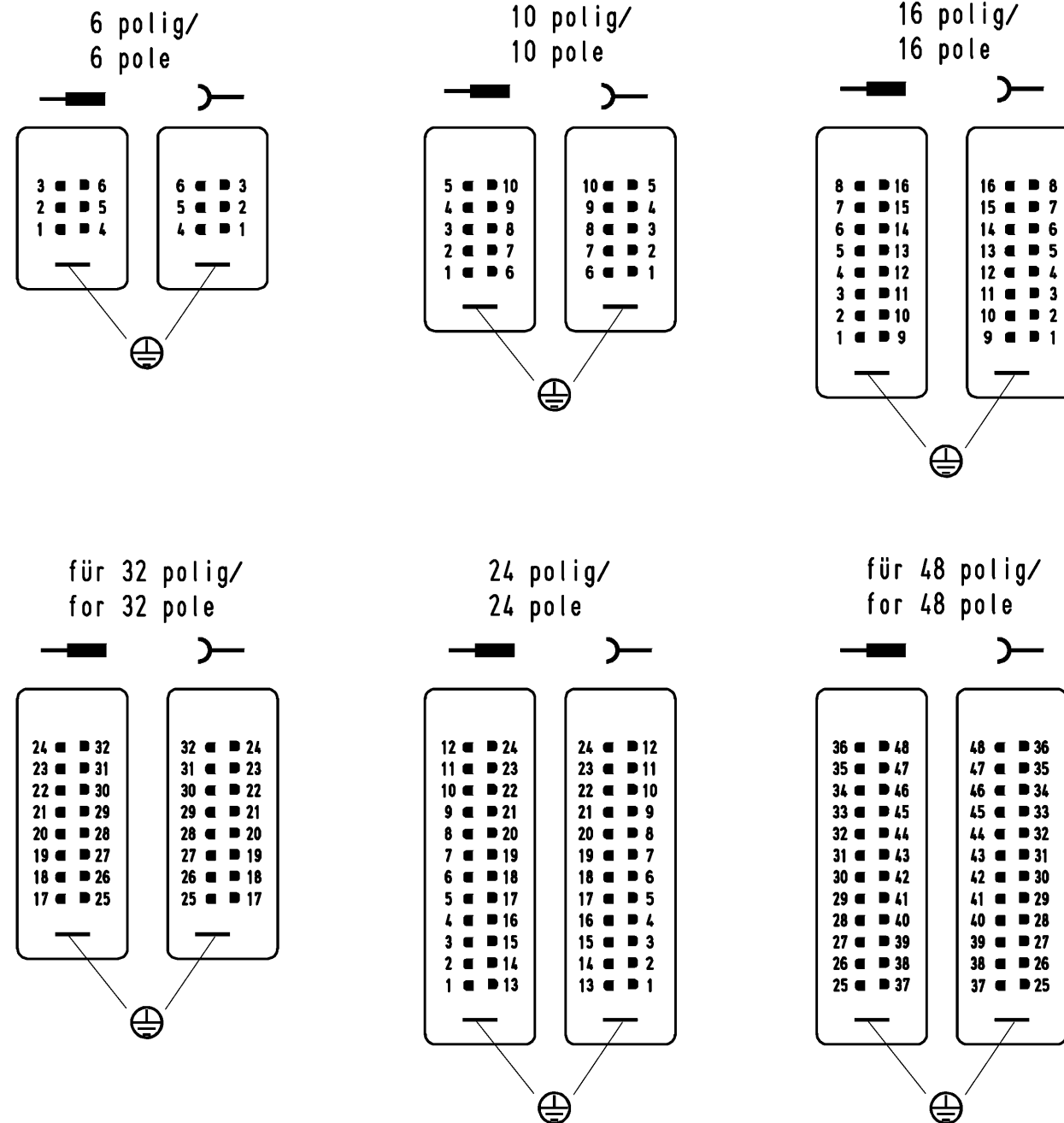
70.100.1053.3	Multipole adapter BAS BAS LL 10 4,0 50	Multipole adapter revos BASIC 500V/16A screw connection 10 pole + ground, long design, female insert, ground right
70.100.1053.4	Multipole adapter BAS BAS KL 10 4,0 50	Multipole adapter revos BASIC 500V/16A screw connection 10 pole + ground, short design, female insert, ground right
70.105.1053.3	Multipole adapter BAS BAS LR 10 4,0 50	Multipole adapter revos BASIC 500V/16A screw connection 10 pole + ground, long design, male insert, ground left
70.105.1053.4	Multipole adapter BAS BAS KR 10 4,0 50	Multipole adapter revos BASIC 500V/16A screw connection 10 pole + ground, short design, male insert, ground left
70.101.1053.0	Multipole adapter BAS BAF KL 10 2,5 50	Multipole adapter revos BASIC 500V/16A spring clamp connection 10 pole + ground, short design, female insert, ground left
70.106.1053.0	Multipole adapter BAS BAF KR 10 2,5 50	Multipole adapter revos BASIC 500V/16A spring clamp connection 10 pole + ground, short design, female insert, ground right
70.300.1040.0	Female insert BAS BUS 10 2,5 50	Female insert revos basic, 10-poles, rated current: 16A, rated voltage:500V, with tin-plated contacts
70.301.1040.0	Female insert BAS BUS 10 2,5 50 AU	Female insert revos basic, 10-poles, rated current: 16A, rated voltage:500V, with gold-plated contacts
70.302.1040.0	Female insert BAS BUS OD 10 2,5 50	Female insert revos basic, 10-poles, rated current: 16A, rated voltage:500V, with tin-plated contacts
70.405.1053.0	Female insert BAS BUP 10 2,5 50 AG	Female insert revos basic, 10-poles, rated current: 16A, rated voltage:500V, with silver-plated contacts

These dimensions will be especially checked at delivery  
 Only inspection dimensions  
 With /E gekennzeichnete Maße sind nur für interne Zwecke gültig  
 Diese Maße werden bei Abnahme besonders geprüft  
 Ausschließlich Prüfmaße  
 Mit /E gekennzeichnete Maße sind nur für interne Zwecke gültig



Polbild Anschlussseite/pole assignment

M 1:2



a	70.415.4853.0	BAS STP 48 50 AG	104	110,3	24	Steckereinsatz male insert		
	70.415.3253.0	BAS STP 32 50 AG	77,1	83,5	16			
	70.415.2453.0	BAS STP 24 50 AG	104	110,3	24			
	70.415.1653.0	BAS STP 16 50 AG	77,1	83,5	16			
	X	70.415.1053.0	BAS STP 10 50 AG	57	63,4		10	
	70.415.0653.0	BAS STP 06 50 AG	44	50	6			
	a	70.405.4853.0	BAS BUP 48 50 AG	104	110,3		24	Buchseinsatz socket insert
		70.405.3253.0	BAS BUP 32 50 AG	77,1	83,5		16	
		70.405.2453.0	BAS BUP 24 50 AG	104	110,3		24	
		70.405.1653.0	BAS BUP 16 50 AG	77,1	83,5		16	
X		70.405.1053.0	BAS BUP 10 50 AG	57	63,4	10		
70.405.0653.0		BAS BUP 06 50 AG	44	50	6			
dar- gestellt /drawn	Bestellnummer /Order number	Typ /Type	L1	L2	Polzahl number of poles			

Weitere Daten siehe KATALOG oder eKatalog.  
 Additional data see CATALOG or eCatalog.

www.wieland-electric.com  
 eshop.wieland-electric.com

Tolerierung Size ISO 14405/Tolerance system Size ISO 14405.  
 (This ISO-standard describes the envelope principle. According to the envelope principle the deviations of form and parallelism are limited by the size tolerances).

ja/yes  Stoffverbots- und Deklarationsliste nach WN 5020.010 ist einzuhalten.  
 Conformity with Wieland document WN 5020.010 e (list of prohibited / declarable hazardous substances) to be declared!

Freitoleranz nach General tolerance CAD - Zeichnung, keine manuellen Änderungen CAD - drawing, no manual modifications allowed 1.Verwendung: First Use: Blatt: 1 von 1 Sheet: of 1

gezeichnet drawn	03.03.	Quetsch T.	T	70.405.0653.0 13K	a
geprüft checked	-	-			
Normgepr. Stand. check	-	-			

Maße in mm/Dimensions are in mm

Ersatz für/Replacement for: -

www.wieland-electric.com

**KONTAKTE INSATZ**  
 Buchseneinsatz/Steckereinsatz Push-in Anschluss  
 socket insert / male insert push-in connection

Weitergabe sowie Vervielfältigung dieses Dokuments, Verwertung und Mitteilung seines Inhalts sind verboten, soweit nicht ausdrücklich gestattet. Die Reproduktion, Distribution und Nutzung dieses Dokuments sowie die Kommunikation der Inhalte ist ohne schriftliche Genehmigung von Wieland-Electric ist untersagt.