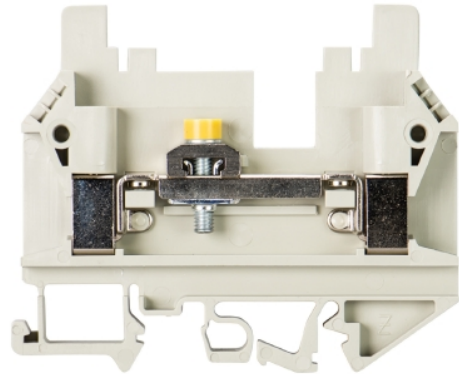


Data sheet

Commercial Art.No.: 57.110.1155.0

Measuring-disconnecting terminal 9760 U / 8 SWK 4 /V0

Current transformer disconnect terminal blocks with screw connection for mounting on TS 35 and TS 32, nominal cross section 10 mm², width 8 mm, color gray



Commercial Art.No.	57.110.1155.0
EAN	4015573590670
Order Unit	50

Certificates / Approvals



Technical data

General

Nominal cross section	10 mm ²
Color	Grey
Number of levels	1
Number of clamp positions per level	2
Width/grid dimension	8 mm
Insulating housing	PA666
Inflammability class of insulation material acc. with UL94	V0
Mounting method	DIN rail (top hat rail)/G-rail
Terminal blocks for electrical installations	No

Technical data

Rated current	24 A
Rated voltage	800 V
Rated impulse voltage	8 kV
Pollution degree	3
Closing plate required	yes
Type of insulation material	Thermoplastic
Length	71 mm

Connection Data

Connection type 1	screw connection
Connection type 2	screw connection
Minimum cross section solid	0.5 mm ²
Maximum cross section solid	10 mm ²
Minimum cross section fine stranded	0.5 mm ²

Maximum cross section fine stranded	10 mm ²
Wire strip length	9 mm
Torque conductor mounting	1.2 Nm

Technical Data UL/CSA

Cross section CSA	18-8 AWG
Voltage CSA	600 V
Current CSA	25 A

Note

Integrated test socket	No
------------------------	----

Classification

ECLASS 11	
ECLASS 8.1	27141126
ETIM 7.0	EC000902
ETIM 6.0	EC000902
ETIM 5.0	EC000902
ETIM 4.0	EC000902
ETIM 3.0	EC000902

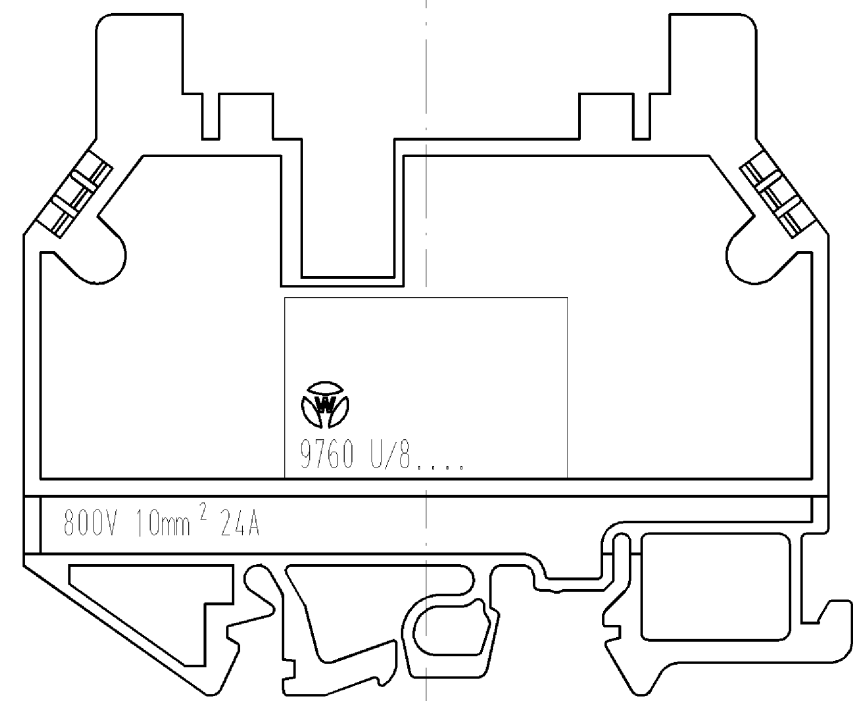
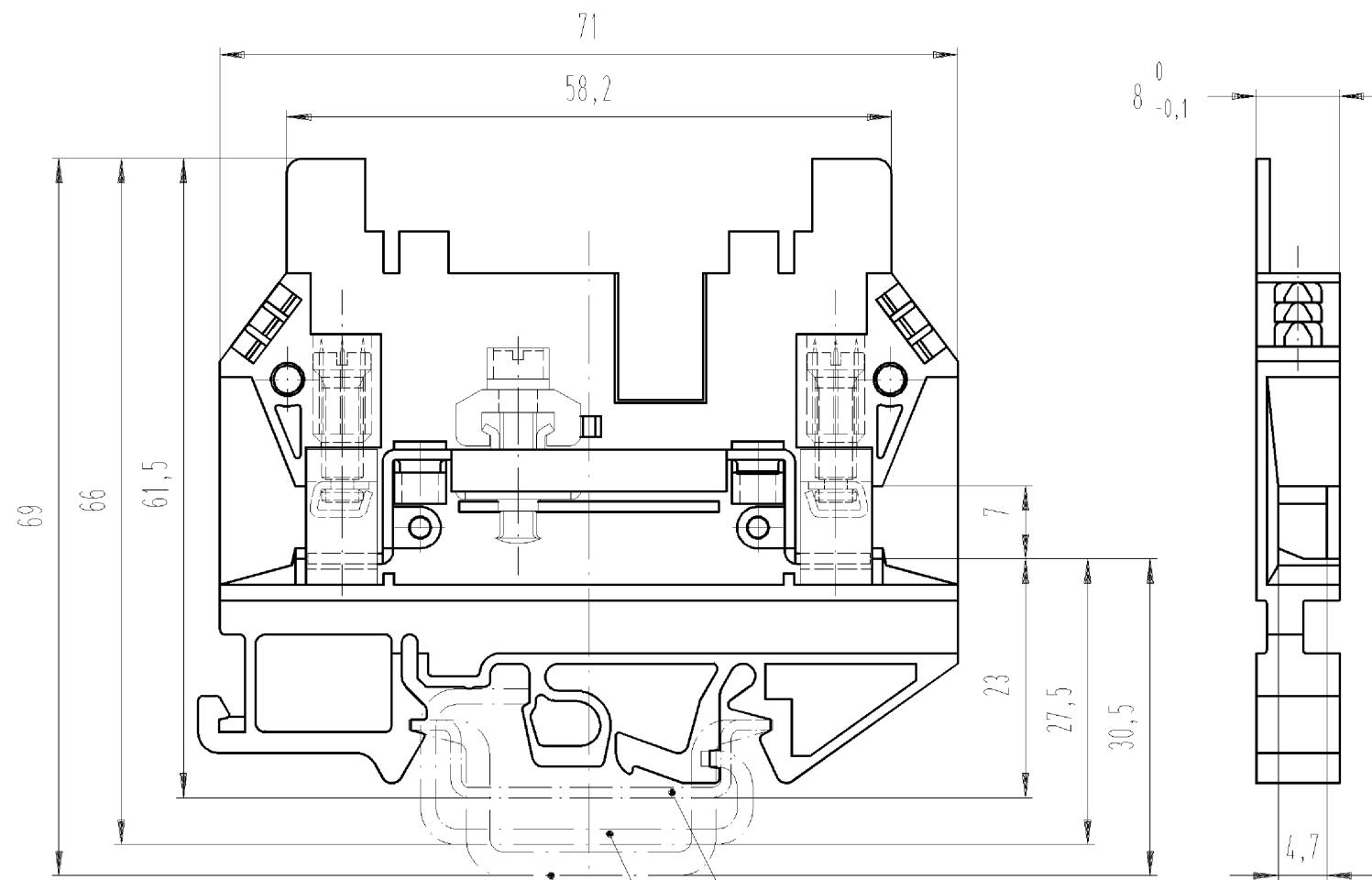
Product compliance

ROHS conformity status	Compliant/Exempted
ROHS exceptions	III-6(c)
REACH-SVHC conformity status	Duty-To-Declare
REACH-SVHC substances	Lead
REACH-SVHC CAS numbers	7439-92-1

Accessories

Commercial Art.No.:	Article-type description:	Description:
Z7.212.0227.0	Jumper bar 9703 / 8- 2	Cross connector for DIN rail terminal blocks type 9700 A ..., 2 -pole
Z7.212.0327.0	Jumper bar 9703 / 8- 3	Cross connector for DIN rail terminal blocks type 9700 A ..., 3 -pole
Z7.212.0427.0	Jumper bar 9703 / 8- 4	Cross connector for DIN rail terminal blocks type 9700 A ..., 4 -pole
Z7.212.0527.0	Jumper bar 9703 / 8- 5	Cross connector for DIN rail terminal blocks type 9700 A ..., 5 -pole
98.190.0000.0	Mounting rail TS 32 UNPERF - l:2000mm	Mounting rail G 32, unslotted, Höhe 5,5 mm, length 2 m, material steel. galv. zinc-plated and dichromated
98.190.1000.0	Mounting rail TS 32 PERF 15mm - l:2000mm	Mounting rail G 32, slotted, Höhe 15 mm, length 2 m, material steel. galv. zinc-plated and dichromated
98.210.0000.0	Mounting rail TS 32 UNPERF AL - l:2000mm	Mounting rail G 32, unslotted, Höhe 15 mm, length 2 m, material Aluminium
98.220.0000.0	Mounting rail TS 32 UNPERF CU - l:2000mm	Mounting rail G 32, unslotted, Höhe 15 mm, length 2 m, material E copper
98.300.0000.0	Mounting rail TS 35x7,5 UNPERF - l:2000mm	Mounting rail TS 35, unslotted, size 7,5 mm, length 2 m, material steel. galv. zinc-plated and dichromated
98.300.1000.0	Mounting rail TS 35x7,5 PERF 15mm - l:2000mm	Mounting rail TS 35, slotted, size 7,5 mm, length 2 m, material steel. galv. zinc-plated and dichromated
98.300.1900.0	Mounting rail TS 35x7,5 PERF 25mm - l:2000mm	Mounting rail TS 35, slotted, size 7,5 mm, length 2 m, material steel. galv. zinc-plated and dichromated

98.360.0000.0	Mounting rail TS 35x15-2,3 UNPERF - l:2000mm	Mounting rail TS 35, unslotted, size 15 mm, length 2 m, material steel. galv. zinc-plated and dichromated
98.370.0000.0	Mounting rail TS 35x15 UNPERF - l:2000mm	Mounting rail TS 35, unslotted, size 15 mm, length 2 m, material steel. galv. zinc-plated and dichromated
98.370.1000.0	Mounting rail TS 35x15 PERF 15mm - l:2000mm	Mounting rail TS 35, slotted, size 15 mm, length 2 m, material steel. galv. zinc-plated and dichromated
98.380.0000.0	Mounting rail TS 35x15-2,3 UNPERF CU - l:2000mm	Mounting rail TS 35, unslotted, size 15 mm, length 2 m, material E copper
07.310.6055.0	End plate 9761 U / 8 /V0	End plate for DIN rail terminal blocks type 9760 U / 6..., color: grey
07.251.6223.0	Cross connector 9863 / 2	Jumper comp for DIN rail terminal blocks type , 2 -pole
07.251.6323.0	Cross connector 9863 / 3	Jumper comp for DIN rail terminal blocks type , 3 -pole
07.251.6423.0	Cross connector 9863 / 4	Jumper comp for DIN rail terminal blocks type , 4 -pole
07.251.6523.0	Cross connector 9863 / 5	Jumper comp for DIN rail terminal blocks type , 5 -pole
07.251.6623.0	Cross connector 9863 / 6	Jumper comp for DIN rail terminal blocks type , 6 -pole
98.300.1800.0	Mounting rail TS 35x7,5 PERF 18mm - l:2000mm	Mounting rail TS 35, slotted, size 7,5 mm, length 2 m, material steel. galv. zinc-plated and dichromated



- Hutschiene EN 60715-35x7,5
mounting rail EN 60715-35x7,5
- G-Schiene EN 60715-G 32
g-rail EN 60715-G 32
- Hutschiene EN 60715-35x15
mounting rail EN 60715-35x15

Weitere Daten siehe Katalog
further data see catalog

Tolerierung nach DIN 7167/Tolerance system acc. to DIN 7167. (This DIN-standard describes the envelope principle. According to the envelope principle the deviations of form and parallelism are limited by the size tolerances).		ja/yes <input checked="" type="checkbox"/> Stoffverbots- und Deklarationsliste nach UU-TQM-05/03 ist einzuhalten. Conformity with Wieland document UU-TQM-05/03 (list of prohibited / declarable hazardous substances) to be declared!	
Freitoleranz nach General tolerance		CAD - Zeichnung, keine manuellen Änderungen CAD - drawing, no manual modifications allowed	1. Verwendung: - First Use:
		Blatt: 1 von 1 Sheet: 1 of 1	
		Zeichnung Nr./Drawing No.	
		57.110.1155.0 01K	
		Index	
		Maße in mm/Dimensions are in mm	
		Ersatz für/Replacement for: -	
		Benennung/Title	
		SCHIEBEKONTAKTKLEMME	
		offen/ open sliding contact clamp	
Index Datum / Blatt Date / Sheet		Type 9760 U/8 SNK 4/VO	
Änderung/Revision		Benennung/Title	
		SCHIEBEKONTAKTKLEMME	
		offen/ open sliding contact clamp	

Weitergabe sowie Vervielfältigung dieses Dokuments, Verwertung und Mitteilung seines Inhalts sind verboten, soweit nicht ausdrücklich gestattet. Die Reproduktion, Distribution und Utilization of this document as well as the communication of its contents to others without express authorization is prohibited.

571101155001K_4_CADW1042_Schnitt 2006-11-10T13:38:03 1.000