

DBL 1016

□ ELECTRICAL CHARACTERISTICS

(Unless otherwise specified, $T_a = 25^\circ\text{C}$, $V_{CC} = 6\text{V}$, $f = 1\text{KHz}$)

[DBL 1016]

Characteristic	Symbol	Test Condition	Min.	Typ.	Max.	Unit
Supply Current	I_{CCQ}	—	—	5	8	mA
Sensitivity	V_{IN}	V_{C3} on-level	74	85	96	mVrms
Comparator Level 1	V_{c1}	—	-11.5	-10	-8.5	dB
Comparator Level 2	V_{c2}	—	-6	-5	-4	dB
Comparator Level 3	V_{c3}	Point of adjustment	—	0	—	dB
Comparator Level 4	V_{c4}	—	2.5	3	3.5	dB
Comparator Level 5	V_{c5}	—	5	6	7	dB
LED Constant Current	I_{LED}	—	11	15	18.5	mA
Input Bias Current	I_{IB}	—	-1.0	-0.3	—	μA

[DBL 1116]

Characteristic	Symbol	Test Condition	Min.	Typ.	Max.	Unit
Supply Current	I_{CCQ}	—	—	5	8	mA
Sensitivity	V_{IN}	V_{C3} on-level	91	105	119	mVrms
Comparator Level 1	V_{c1}	—	$0.28V_{C3}$	$0.33V_{C3}$	$0.40V_{C3}$	mVrms
Comparator Level 2	V_{c2}	—	$0.59V_{C3}$	$0.67V_{C3}$	$0.75V_{C3}$	mVrms
Comparator Level 3	V_{c3}	Point of adjustment	—	V_{IN}	—	mVrms
Comparator Level 4	V_{c4}	—	$1.25V_{C3}$	$1.33V_{C3}$	$1.42V_{C3}$	mVrms
Comparator Level 5	V_{c5}	—	$1.48V_{C3}$	$1.67V_{C3}$	$1.85V_{C3}$	mVrms
LED Constant Current	I_{LED}	—	11	15	18.5	mA
Input Bias Current	I_{IB}	—	-1	-0.3	—	μA

[DBL 1216]

Characteristic	Symbol	Test Condition	Min.	Typ.	Max.	Unit
Supply Current	I_{CCQ}	—	—	5	8	mA
Sensitivity	V_{IN}	V_{C3} on-level	74	85	96	mVrms
Comparator Level 1	V_{c1}	—	-11.5	-10	-8.5	dB
Comparator Level 2	V_{c2}	—	-6	-5	-4	dB
Comparator Level 3	V_{c3}	Point of adjustment	—	0	—	dB
Comparator Level 4	V_{c4}	—	2.5	3	3.5	dB
Comparator Level 5	V_{c5}	—	5	6	7	dB
LED Constant Current	I_{LED}	—	—	7	9.5	mA
Input Bias Current	I_{IB}	—	-1	-0.3	—	μA

DBL 1016

ELECTRICAL CHARACTERISTICS (Continued)

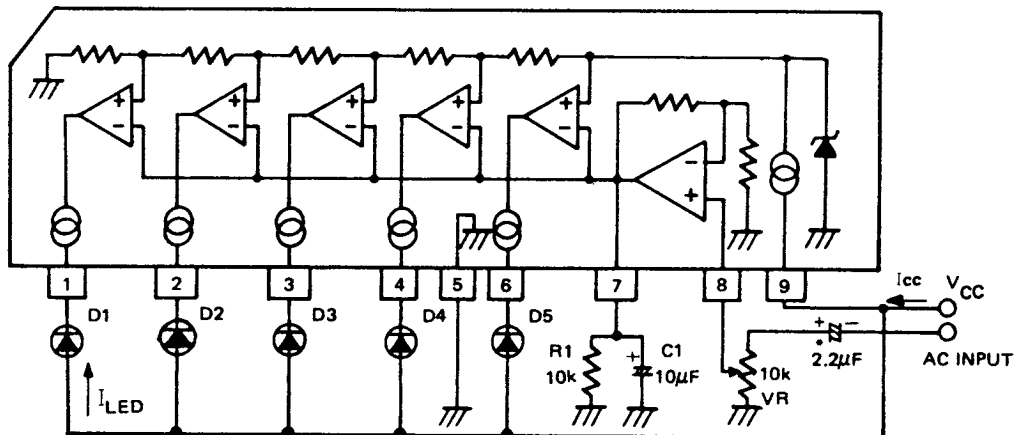
[DBL 1316]

Characteristic	Symbol	Test Condition	Min.	Typ.	Max.	Unit
Supply Current	I_{CCO}	—	—	5	8	mA
Sensitivity	V_{IN}	V_{C3} on-level	91	105	119	mVrms
Comparator Level 1	V_{C1}	—	$0.28V_{C3}$	$0.33V_{C3}$	$0.40V_{C3}$	mVrms
Comparator Level 2	V_{C2}	—	$0.59V_{C3}$	$0.67V_{C3}$	$0.75V_{C3}$	mVrms
Comparator Level 3	V_{C3}	Point of adjustment	—	V_{IN}	—	mVrms
Comparator Level 4	V_{C4}	—	$1.25V_{C3}$	$1.33V_{C3}$	$1.42V_{C3}$	mVrms
Comparator Level 5	V_{C5}	—	$1.48V_{C3}$	$1.67V_{C3}$	$1.87V_{C3}$	mVrms
LED Constant Current	I_{LED}	—	5	7	9.5	mA
Input Bias Current	I_{IB}	—	-1.0	-0.3	—	μA

ALLOWABLE OPERATING CONDITION ($T_a=25^\circ C$)

Characteristic	Symbol	Min.	Typ.	Max.	Unit
Supply Voltage	V_{CC}	3.5	6	16	V

APPLICATION CIRCUIT (AC-input VU-meter)



*Capacitor to be omitted when used as a DC-input signal meter.