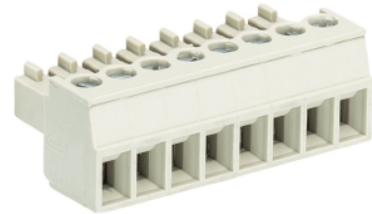


Data sheet

Commercial Art.No.: 25.620.0453.0

PCB connector 8813 B / 4

PCB female connector with screw connection with rising cage clamp system, 4 poles, printed version, max. cross section: 1.5 mm², pitch: 3.81 mm, type of packing: carton, color: grey



Commercial Art.No.	25.620.0453.0
EAN	4015573341951
Order Unit	50

Certificates / Approvals



Technical data

General

Modular spacing	3.81 mm
Connection type	screw connection
Soldering process	None
Packaging	Carton
Number of poles	4
Marking	yes
Fastening	None
Mating direction towards connector	180°

Technical data

Nominal cross section	1.5 mm ²
Rated current	8 A
Overvoltage Category I	690 V
Overvoltage Category II	250 V
Overvoltage Category III	125
Rated impulse voltage	2.5 kV
Wire strip length	6.5 mm

Connection Data

Minimum cross section solid	0.14 mm ²
Maximum cross section solid	1.5 mm ²
Minimum cross section fine stranded	0.14 mm ²
Maximum cross section fine stranded	1.5 mm ²
Wire strip length	6.5 mm

Technical Data UL/CSA

Cross section UL	30-16 AWG
Voltage UL	300 V

Current field wiring	8 A
Current factory wiring	8 A
Cross section CSA	22-14 AWG
Voltage CSA	300 V
Current CSA	5 A

Other

Type of insulation material	Thermoplastic
Color	Grey
Height	11.1 mm
Length	16.03 mm
Depth	15.5 mm
Material attachment screw	Steel
Material contact base	CuSn
Material contact surface	Sn

Classification

ECLASS 11	
ECLASS 8.1	27440402
ETIM 7.0	EC002637
ETIM 6.0	EC002637
ETIM 5.0	EC002637
ETIM 4.0	EC002637

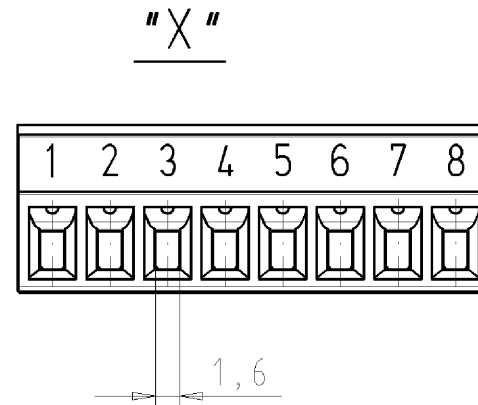
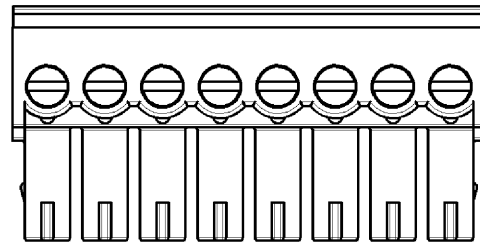
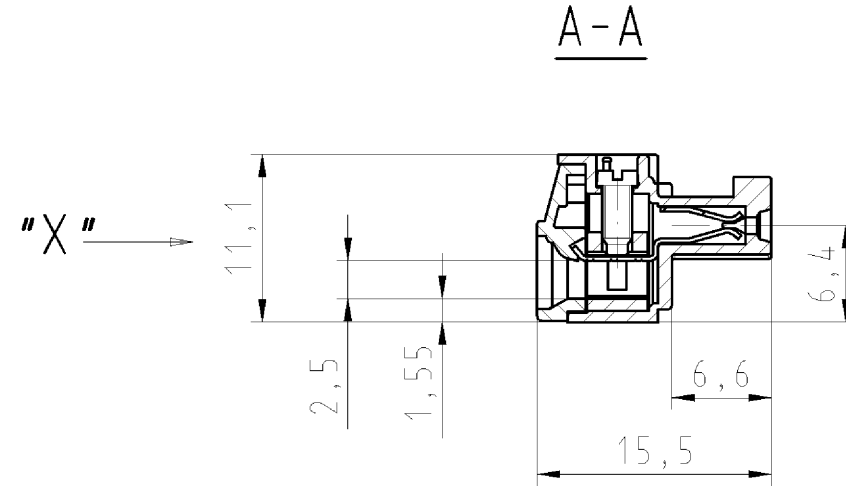
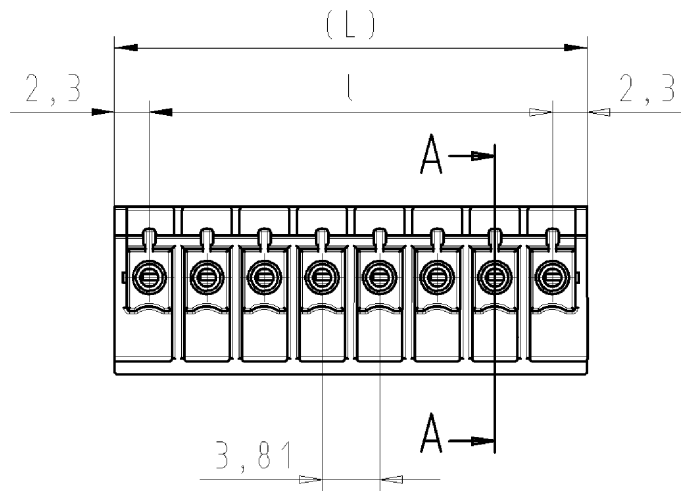
Product compliance

ROHS conformity status	Compliant/Exempted
ROHS exceptions	III-6(c)
REACH-SVHC conformity status	Duty-To-Declare
REACH-SVHC substances	Lead
REACH-SVHC CAS numbers	7439-92-1

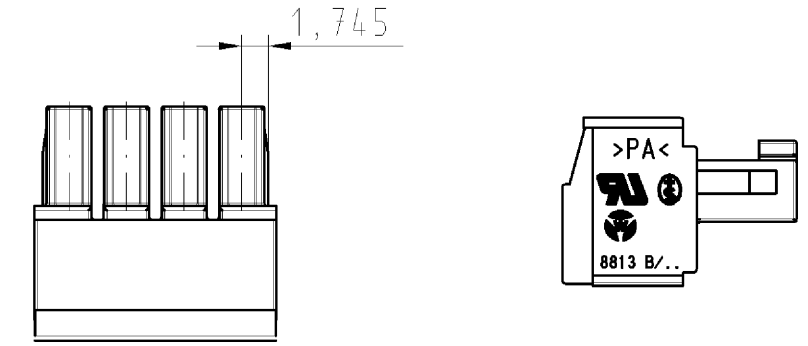
Fits with

Commercial Art.No.:	Article-type description:	Description:
25.626.0453.0	PCB pin header 8813 S / 4 G OB	PCB pin header with pin header, connection method depends on used socket part , 4 poles, pitch: 3.81 mm, type of packing: carton, color: grey
25.627.0453.0	PCB pin header 8813 S / 4 W OB	PCB pin header with pin header, connection method depends on used socket part , 4 poles, pitch: 3.81 mm, type of packing: carton, color: grey
27.627.0408.0	PCB pin header 8813 S/ 4 W OB THR	PCB pin header, 4 poles, with solder pin (1.5mm, tin plated), pitch: 3.81 mm, type of packing: carton, color: black, This product can be soldered by reflow and wave soldering,
27.626.0408.0	PCB pin header 8813 S/ 4 G OB THR	PCB pin header, 4 poles, with solder pin (1.5mm, tin plated), pitch: 3.81 mm, type of packing: carton, color: black, This product can be soldered by reflow and wave soldering,

8-polige Ausführung gezeichnet
 Ab 7-polige Ausführung ohne Bremsflächen
 8 pole version drawn
 No ribs drawn on the outer surface of the first
 and last pole from 7 pole version



4-polige Ausführung gezeichnet
 4 pole version drawn



Bei 2-6polige Ausführung
 (25.620.0253.F, 25.620.0353.F, 25.620.0453.F,
 25.620.0553.F, 25.620.0653.F)
 sind am Isoliergehäuse Bremsflächen an den
 Außenflächen am ersten und letzten Pol

2-6 pole version
 (25.620.0253.F, 25.620.0353.F, 25.620.0453.F,
 25.620.0553.F, 25.620.0653.F)
 with ribs on the outer surface
 of the first and last pole

○ Diese Maße werden bei Abnahme besonders geprüft
 ○ Ausschließlich Prüfmaße
 ○ Mit / E gekennzeichnete Maße sind nur für interne Zwecke gültig

Artikel-Nr. part-no.	Pol- zahl pole	L	l	Typ type
25.620.0253.F	2	8,41	3,81	8813 B/ 2
25.620.0353.F	3	12,22	7,62	8813 B/ 3
25.620.0453.F	4	16,03	11,43	8813 B/ 4
25.620.0553.F	5	19,84	15,24	8813 B/ 5
25.620.0653.F	6	23,65	19,05	8813 B/ 6
25.620.0753.F	7	27,46	22,86	8813 B/ 7
25.620.0853.F	8	31,27	26,67	8813 B/ 8
25.620.0953.F	9	35,08	30,48	8813 B/ 9
25.620.1053.F	10	38,89	34,29	8813 B/ 10
25.620.1153.F	11	42,70	38,10	8813 B/ 11
25.620.1253.F	12	46,51	41,91	8813 B/ 12
25.620.1353.F	13	50,32	45,72	8813 B/ 13
25.620.1453.F	14	54,13	49,53	8813 B/ 14
25.620.1553.F	15	57,94	53,34	8813 B/ 15
25.620.1653.F	16	61,75	57,15	8813 B/ 16
25.620.1753.F	17	65,56	60,96	8813 B/ 17
25.620.1853.F	18	69,37	64,77	8813 B/ 18
25.620.1953.F	19	73,18	68,58	8813 B/ 19
25.620.2053.F	20	76,99	72,39	8813 B/ 20

.F	Farbe/ colour	Bedruckung / Farbe printing / colour	Freitoleranz nach	CAD - Zeichnung, keine manuellen Änderungen			1. Verwendung: -		Bl.: 1 von 1			
	.0	grau/grey	schwarz/black	Maßstab	2005	Tag	Name	T	Zeichnung Nr.	Index		
				2:1	Entworfen	12.04.	Treschan					
					Geprüft	-	-					
.1	schwarz/black	weiß/white	Vol.	mm ³	Dfl.	mm ²	Normgepr.	-	-	Ersatz für:		
			.7	grün/green	schwarz/black	a		07.03.2006/		wieland Elektrische Verbindungen	Typ 8813 B 2-20	Benennung LP_STECKKLEMME mit Steck- u. Schraubanschluss, Rastermaß/Pitch 3,81 Pluggable PCB terminal, rising cage clamp system
						Buchstabe	Datum / Blatt					
						Änderung						

Weitere Daten siehe Katalog
 further data see catalog

Weitergabe sowie Vervielfältigung dieses Dokuments, Verwertung und Mitteilung
 seines Inhalts sind verboten, soweit nicht ausdrücklich gestattet.
 The reproduction, distribution and utilization of this document as well as the
 communication of its contents to others without express authorization is prohibited.

256200253001K_4_CADW1019_Koelz 2006-03-07T09:27:35 1.000