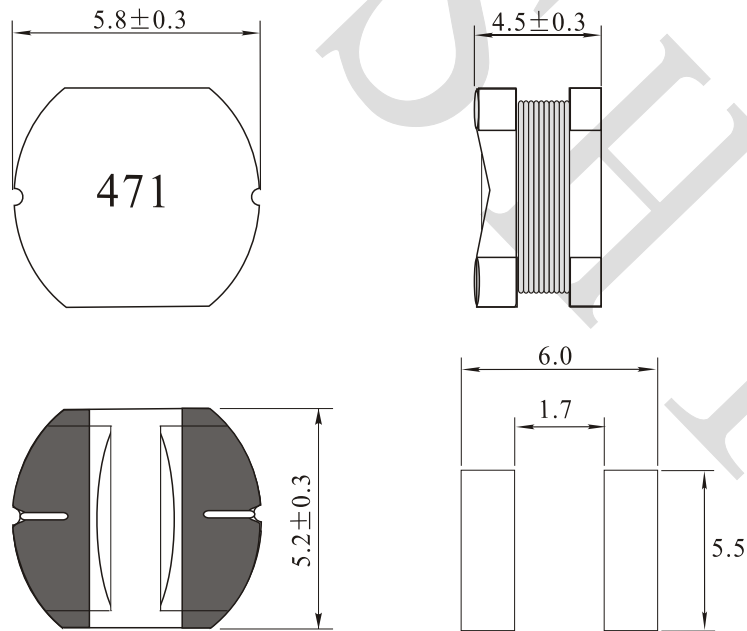
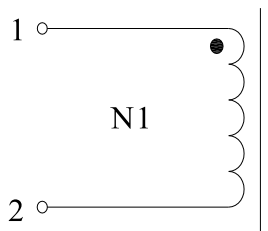


Rev.	Description	Date
A0	New release	2023.10.06

1. PHYSICAL CHARACTERISTICS (mm)



2. ELECTRONICAL SCHEMATIC



3. ELECTRONICAL SPECIFICATIONS

L: 470uH ± 10% @ 100KHz, 0.25V

DCR: 2.52 Ω Max

Rated current: 0.28A Max (Inductance drop 10% Max)

Operating temperature: -40°C to +105°C

(Including temp. rise 40°C)

Storage temperature: -40°C to +125°C

Test Instrument:

L: HP4284A

RDC: HM2540

Note:

1. Solderability: leads shall meet MIL-STD-202, Method 208D for solderability.
2. Flammability: UL94V-0
3. ASTM oxygen index: >28%

NAME:	Power Inductors		
CUSTOMER P/N:	SND54-471K	DATE:	2023-10-06
SHINHOM P/N:	SDR0504-471K-0.28A	REV: A0	PAGE
DRAWN BY	CHECKED BY	APPROVE BY	



SHINHOM
SHAANXISHINHOM ENTERPRISE CO LTD

The Document property belong to SHINHOM & is not allowed to be duplicated without authorization