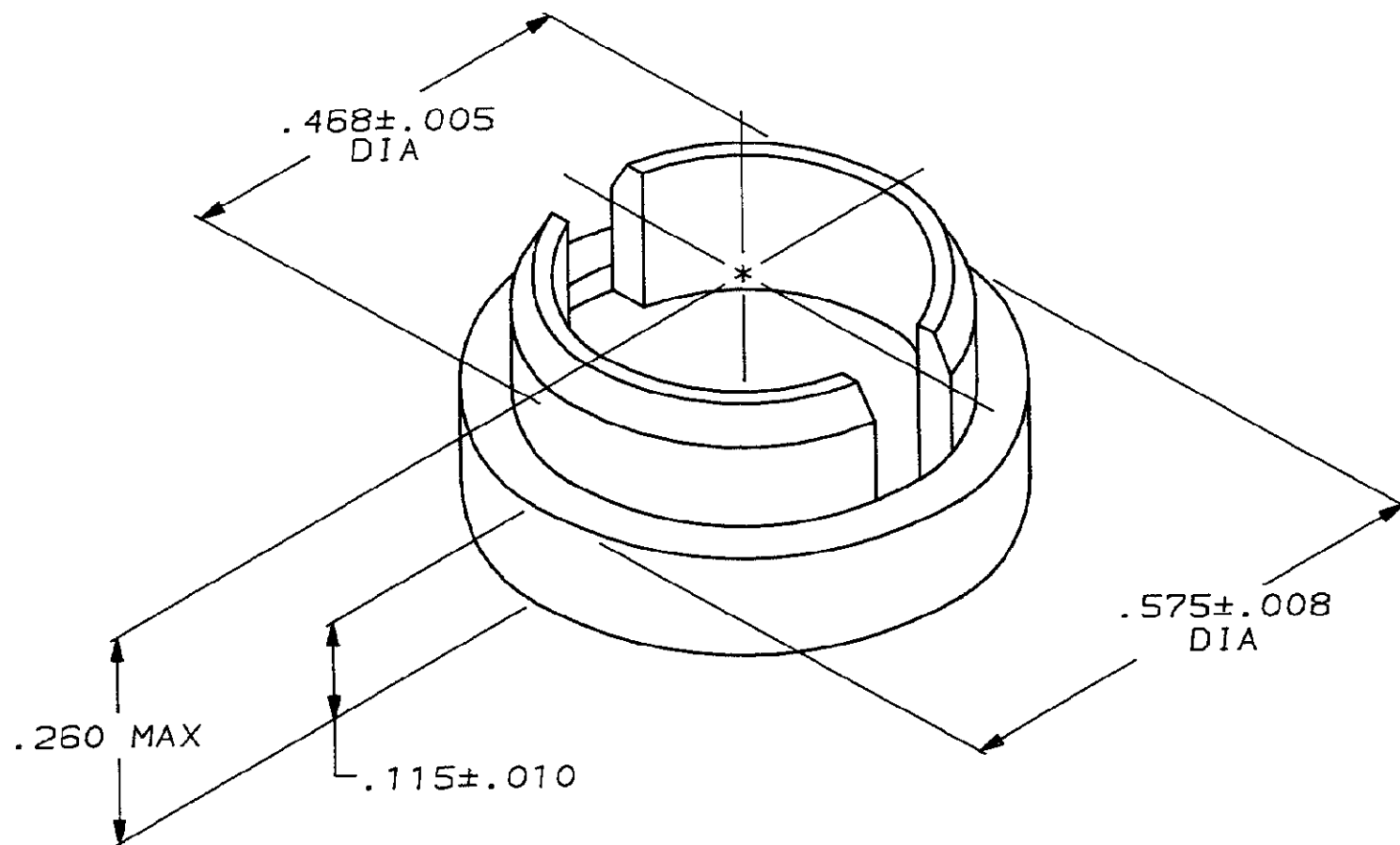


DRAWING MADE IN THIRD ANGLE PROJECTION

THIS DRAWING IS UNPUBLISHED. RELEASED FOR PUBLICATION .19
 © COPYRIGHT 19 BY AMP INCORPORATED, HARRISBURG, PA. ALL INTERNATIONAL RIGHTS RESERVED. AMP PRODUCTS MAY BE COVERED BY U.S. AND FOREIGN PATENTS AND/OR PATENTS PENDING.

MOD	LOC	DIST
3	AJ	16

P		F		REVISIONS		
ZONE	LTR	DESCRIPTION	DATE	APPROVED		
✓	✓	0	PR 86-3347-032	3-2-87	MS/DH	
✓	✓	A	REV PER AJ-2604	3-23-87	TS/REC	
		B	REV PER AJ-2776			



1. RECOMMENDED PANEL CUTOUT - $.485 \pm .003$ DIA.
2. $.125$ MAX PANEL THICKNESS.

222163-1

PART NO

UNLESS OTHERWISE SPECIFIED DIMENSIONS ARE IN INCHES
 TOLERANCES ON:
 2 PL DEC ± _____
 3 PL DEC ± _____
 ANGLES ± _____

MATERIAL
 POLYPROPYLENE
 GENERAL PURPOSE

FINISH

DR M. SNEED 3-2-87

CHK D.S. HEIDE 3-6-87

APPD R.E. CAPP 3-6-87

APPD M. SNEED 3-9-87

PRODUCT SPEC

APPLICATION SPEC

WEIGHT

AMP

AMP INCORPORATED
 Harrisburg, Pa. 17105

NAME
BUSHING, INSULATING

SIZE	FSCM NO	DRAWING NO
B	00779	222163

SCALE	SHEET
5:1	1 OF 1