

## Data sheet

Commercial Art.No.: 70.331.0636.0

Bottom EX GUT GM 6 M20 09IA Z0

Bottom-base revos Ex made of zinc, with single locking lever or. screw cap with cable gland M20 on the left side (IP54), low version, 6-polig, explosion-tested version



Commercial Art.No.	70.331.0636.0
EAN	4015573739932
Order Unit	1

Certificates / Approvals



## Technical data

### General

Housing material	Die-cast zinc
Color	Blue
Surface	With powder coating
Operating temperature range min.	-20 °C
Operating temperature range max.	60 °C

### Model

Construction	6
Model of the housing	female
Locking mechanism	Single locking lever
Cable entry	Sideways
Type of cable	Gland nut
With cable screw gland	yes
Thread size M	20
Thread size PG	
EMC-version	No
Length	84 mm
Width	52 mm
Height	55 mm

### Classification

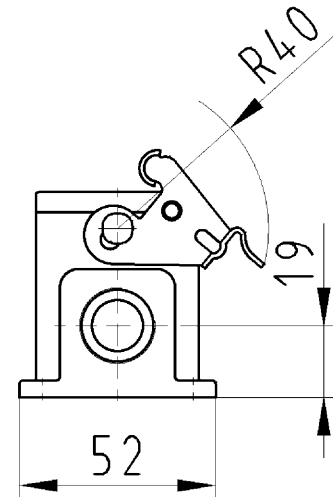
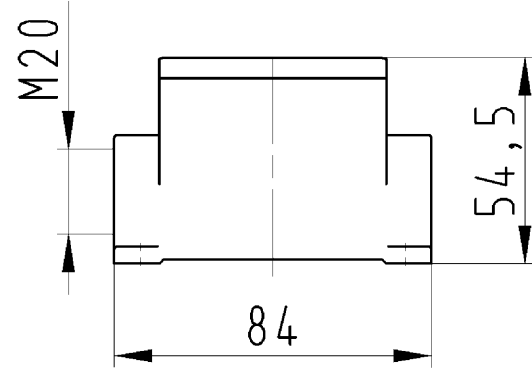
ECLASS 11	
ECLASS 8.1	27440202
ETIM 7.0	EC000437

ETIM 6.0	EC000437
----------	----------

**Product compliance**

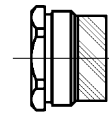
ROHS conformity status	Compliant/Exempted
ROHS exceptions	III-6(c)
REACH-SVHC conformity status	Duty-To-Declare
REACH-SVHC substances	Lead
REACH-SVHC CAS numbers	7439-92-1

ohne Verriegelungsbügel  
gezeichnet  
/drawn without locking lever

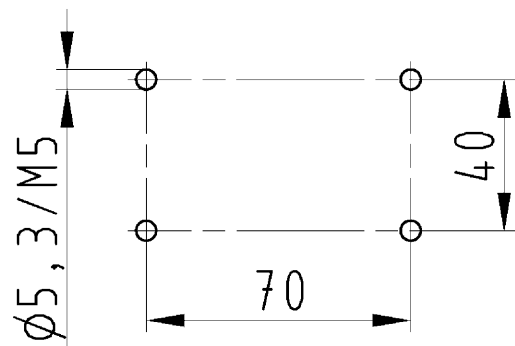


Varianten/Variants

.0



Bohrbild  
/Cut out



70.331.0636.1	EX GUT GM 6 M20 091A Z1	Gewindebohrung /Thread hole	X
70.331.0636.0	EX GUT GM 6 M20 091A Z0	Kabelverschraubung(KV), IP54 montiert /Cable gland(CG), IP54 assembled	
Bestellnummer /Order number	Typ /Type	Varianten /Variants	dar- gestellt /drawn
Weitere Daten siehe KATALOG oder eKatalog. Additional data see CATALOG or eCatalog.		www.wieland-electric.com eshop.wieland-electric.com	

Tolerierung Size ISO 14405 (T) / Tolerance system Size ISO 14405 (T). (This ISO-standard describes the envelope principle. According to the envelope principle the deviations of form and parallelism are limited by the size tolerances).				ja/yes <input checked="" type="checkbox"/> Stoffverbots- und Deklarationsliste nach UU-TQM-05/03 ist einzuhalten. Conformity with Wieland document UU-TQM-05/03 (list of prohibited / declarable hazardous substances) to be declared!			
Freitoleranz nach General tolerance		CAD - Zeichnung, keine manuellen Änderungen CAD - drawing, no manual modifications allowed		1. Verwendung: - First Use:		Blatt: 1 von 1 Sheet: of	
		Werkstoff/Material Zinkdruckguß/zinc beschichtet/coated blau/blue		2013 Tag/Date gezeichnet/drawn 06.12. geprüft/checked - Normgepr. Stand. check -		Name Schmitt J.	
		Maßstab/Scale 1:1		Ersatz für/Replacement for: -		Zeichnung Nr./Drawing No. 70.331.0636.0 13K	
		Vol. mm <sup>3</sup> / Ofl./Surf. mm <sup>2</sup>		Type EX GUT GM 6 M20 091A		Benennung/Titel GEHAEUSEUNTERTEIL Baugröße 6-Kabelabgang 1x M20 links Housing size 6 cable outlet 1xM20 left	
Index Datum / Blatt Date / Sheet		Änderung/Revision		wieland Elektrische Verbindungen			

Weitergabe sowie Vervielfältigung dieses Dokuments, Verwertung und Mitteilung seines Inhalts sind verboten, soweit nicht ausdrücklich gestattet.  
The reproduction, distribution and utilization of this document as well as the communication of its contents to others without express authorization is prohibited.

703310636013K\_2 CADW5029 Schmitt 2013-12-09 11:34:24 1.000