

## Data sheet

Commercial Art.No.: 96.071.4153.1

Connector RST20i7S B1 ZR2 SW

RST20i7 connector, 7 pole, female, screw connection, application 250/400V with PE, 20A, for cable diameters 10-14mm, coding color black, color of housing black



|                    |               |
|--------------------|---------------|
| Commercial Art.No. | 96.071.4153.1 |
| EAN                | 4049088423871 |
| Order Unit         | 1             |

Certificates / Approvals



## Technical data

### General

|  |                                  |
|--|----------------------------------|
| Rated current                            | 16 A                             |
| Rated voltage                            | 250 V / 400 V                    |
| Rated impulse voltage                    | 4 kV                             |
| strain relief                            | yes                              |
| Pollution degree                         | 3                                |
| Lockable                                 | self-locking (unlocking by tool) |
| Color of coding/ contact carrier         | black                            |
| Marking of poles                         | 1, 2, 3, 4/N, 5, 6, PE           |
| Color of housing inclusive strain relief | black                            |

### Connection Data

|   |                     |
|---|---------------------|
| Cable diameter max.   | 14 mm               |
| Cable diameter min.   | 10 mm               |
| Connection cross section solid mm <sup>2</sup> max.         | 1.5 mm <sup>2</sup> |
| Connection cross section solid mm <sup>2</sup> min.         | 0.2 mm <sup>2</sup> |
| Connection cross section fine stranded mm <sup>2</sup> max. | 1.5 mm <sup>2</sup> |
| Connection cross section fine stranded mm <sup>2</sup> min. | 0.2 mm <sup>2</sup> |
| Terminations per pole                                       | 1                   |
| Connection cross section stranded AWG min.                  | 20 AWG              |
| Connection cross section stranded AWG max.                  | 14 AWG              |
| sheath strip length   | 25 mm               |
| Wire strip length   | 8 mm                |

### Model

|                 |                  |
|-----------------|------------------|
| Model           | female           |
| Connection type | screw connection |

|                           |                       |
|---------------------------|-----------------------|
| Degree of protection (IP) | IP66/68 (3m;2h) /IP69 |
|---------------------------|-----------------------|

#### Material

|  |               |
|--|---------------|
| Housing material                             | Polyamide     |
| halogen free                                 | yes           |
| Contact material                             | CuZn          |
| Fire load                                    | 0.323 kWh     |
| Insulation components continuous temperature | 100 °C        |
| Surface finish                               | Silver-plated |
| UL classification housing                    | UL-V2         |
| UL classification strain relief              | UL-V2         |

#### Dimensions

|        |         |
|--------|---------|
| Length | 84 mm   |
| Width  | 34.6 mm |
| Height | 34.6 mm |

#### Note

|      |                                   |
|------|-----------------------------------|
| Note | 3 poles max. 20A, 4 poles max. 5A |
|------|-----------------------------------|

#### Classification

|            |          |
|------------|----------|
| ECLASS 11  |          |
| ECLASS 8.1 | 27440605 |
| ETIM 7.0   | EC002560 |
| ETIM 6.0   | EC002560 |
| ETIM 5.0   | EC002560 |
| ETIM 4.0   | EC002560 |

#### Product compliance

|                              |                    |
|------------------------------|--------------------|
| ROHS conformity status       | Compliant/Exempted |
| ROHS exceptions              | III-6(c)           |
| REACH-SVHC conformity status | Duty-To-Declare    |
| REACH-SVHC substances        | Lead               |
| REACH-SVHC CAS numbers       | 7439-92-1          |

#### Accessories

| Commercial Art.No.: | Article-type description:     | Description:   |
|---------------------|-------------------------------|--|
| 06.562.8753.0       | Opener RST20i7 BG             | Manual disconnect for later installation of RST connectors, color black                        |
| 99.589.0000.7       | Cover for female connector SW | RST20i7/6 cover piece, for covering unused female connectors, with fastening belt, color black |
| Z5.569.5253.1       | Cover for female connector SW | RST20i7/6 cover piece, for covering unused female connectors, color black                      |

#### Fits with

| Commercial Art.No.: | Article-type description: | Description: |
|---------------------|---------------------------|--------------|
|                     |                           |              |

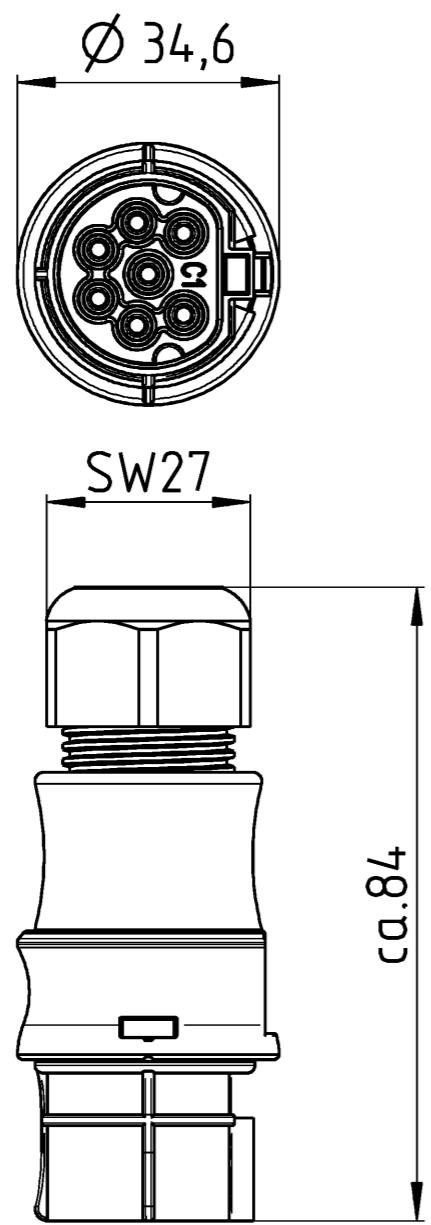
|               |                                      |  |
|---------------|--------------------------------------|--|
| 96.072.4153.1 | Connector RST20I7S S1 ZR2 SW         | RST20i7 connector, 7 pole, male, screw connection, application 250/400V with PE, 20A, for cable diameters 10-14mm, coding color black, color of housing black                            |
| 96.074.4153.1 | Connector RST20I7S S1 YR2 SW         | RST20i7 connector (90° angled), 7 pole, male, screw connection, application 250/400V with PE, 20A, for cable diameters 10-14mm, coding color black, color of housing black               |
| 96.072.6053.1 | Device connector RST20I7S S1 M00V SW | RST20i7 device connector M20, 7 pole, male, screw connection, modular, application 250/400V with PE, 20A, coding color black, color of housing black                                     |
| 9L.072.6053.1 | Device connector RST20I7S 21 M00V SW | RST20i7 device connector M20, with longitudinal sealing, 7 pole, male, screw connection, modular, application 250/400V with PE, 20A, coding color black, color of housing black          |
| 96.072.6153.1 | Device connector RST20I7S S1 M03V SW | RST20i7 device connector M16, 7 pole, male, screw connection, modular, application 250/400V with PE, 20A, coding color black, color of housing black                                     |
| 9L.072.6153.1 | Device connector RST20I7S 21 M03V SW | RST20i7 device connector M16, with longitudinal sealing, 7 pole, male, screw connection, modular, application 250/400V with PE, 20A, coding color black, color of housing black          |
| 96.074.6053.1 | Device connector RST20I7S S1 M90V SW | RST20i7 device connector (90° angled) M20, 7 pole, male, screw connection, modular, application 250/400V with PE, 20A, coding color black, color of housing black                        |
| 96.074.6253.1 | Device connector RST20I7S S1 M91V SW | RST20i7 device connector (90° angled) M25, 7 pole, male, screw connection, modular, application 250/400V with PE, 20A, coding color black, color of housing black                        |
| 96.076.6153.1 | Device connector RST20I7S S1 M13V SW | RST20i7 device connector (7° angled) M16, 7 pole, male, screw connection, modular, application 250/400V with PE, 20A, coding color black, color of housing black                         |
| 96.072.6253.1 | Device connector RST20I7S S1 M01V SW | RST20i7 device connector M25, 7 pole, male, screw connection, modular, application 250/400V with PE, 20A, coding color black, color of housing black                                     |
| 9L.072.6253.1 | Device connector RST20I7S 21 M01V SW | RST20i7 device connector M25, with longitudinal sealing, 7 pole, male, screw connection, modular, application 250/400V with PE, 20A, coding color black, color of housing black          |
| 9L.072.4153.1 | Connector RST20I7S 21 ZR2 SW         | RST20i7 connector, with longitudinal sealing, 7 pole, male, screw connection, application 250/400V with PE, 20A, for cable diameters 10-14mm, coding color black, color of housing black |

A  
Weitergabe sowie Vervielfältigung dieses Dokuments, Verwertung und Mitteilung seines Inhalts sind verboten, soweit nicht ausdrücklich gestattet. The reproduction, distribution and utilization of this document as well as the communication of its contents to others without express authorization is prohibited.

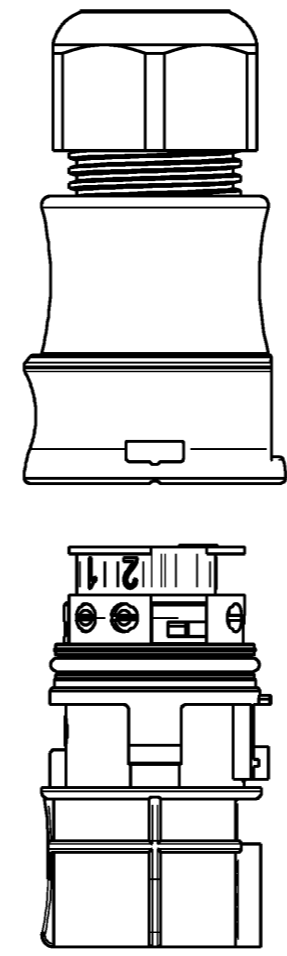
B  
These dimensions will be especially checked at delivery  
Only inspection dimensions  
With /E marked dimensions are only valid for internal use

C  
Diese Maße werden bei Abnahme besonders geprüft  
Ausschließlich Prüfmaße  
Mit /E gekennzeichnete Maße sind nur für interne Zwecke gültig

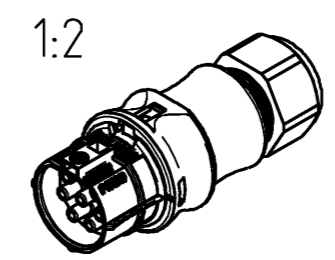
F



Auslieferungszustand / delivery status



| Teile-Nr./ Part no. | Typ/ Type            | Kodierung/ coding |
|---------------------|----------------------|-------------------|
| 96.071.4153.0       | RST2017S B1 ZR2 GL   |                   |
| 96.071.4153.1       | RST2017S B1 ZR2 SW   |                   |
| 9L.071.4153.0       | RST2017S 11 ZR2 GL   |                   |
| 9L.071.4153.1       | RST2017S 11 ZR2 SW   |                   |
| 96.071.4153.9       | RST2017S B1 ZR2 BL07 |                   |
| 9L.071.4153.9       | RST2017S 11 ZR2 BL07 |                   |
| 96.061.4153.6       | RST2016S B1 ZR2 TB04 |                   |
| 9L.061.4153.6       | RST2016S 11 ZR2 TB04 |                   |
| 96.071.4153.6       | RST2017S B1 ZR2 TB04 |                   |
| 9L.071.4153.6       | RST2017S 11 ZR2 TB04 |                   |



● = Pol verschlossen / pole closed

|   |   |   |                                  |
|---|---|---|----------------------------------|
| Tolerierung Size ISO 14405 (E) / Tolerance system Size ISO 14405 (E).<br>(This ISO-standard describes the envelope principle. According to the envelope principle the deviations of form and parallelism are limited by the size tolerances). |   | ja/yes <input checked="" type="checkbox"/> Stoffverbots- und Deklarationsliste nach WN 5020.010 ist einzuhalten.<br>Conformity with Wieland document WN 5020.010 e (list of prohibited / declarable hazardous substances) to be declared! |                                  |
| Freitoleranz nach<br>General tolerance  | CAD - Zeichnung, keine manuellen Änderungen<br>CAD - drawing, no manual modifications allowed | 1. Verwendung:<br>First Use:  | Blatt:<br>Sheet: 1 von 1<br>of 1 |
|   | Werkstoff / Material  | Tag/Date  | Name                             |
|   | Maßstab / Scale   | gezeichnet<br>drawn   | 16.11.2017 Hollet                |
|   | 1:1   | geprüft<br>checked  |                                  |
|   | Vol. mm <sup>3</sup> Dfl./Srf. mm <sup>2</sup>  | Normgepr.<br>Stand. check   |                                  |
| Ersatz für / Replacement for:   |   | Zeichnung Nr. / Drawing No.   |                                  |
|   |   | 96.071.4153.0 13K a   |                                  |
|   |   | Maße in mm / Dimensions are in mm   |                                  |
| a 14.05.2018 /<br>Index Datum / Blatt<br>Date / Sheet   |   | Type<br>Benennung/Title   |                                  |
| www.wieland-electric.com  |   | RST201<br>BU_SCHRAUB  |                                  |
| Änderung / Revision   |   | ohne Drahtschutz<br>female, screw connection without wire protection  |                                  |