

# Connector

## AC INLET Series

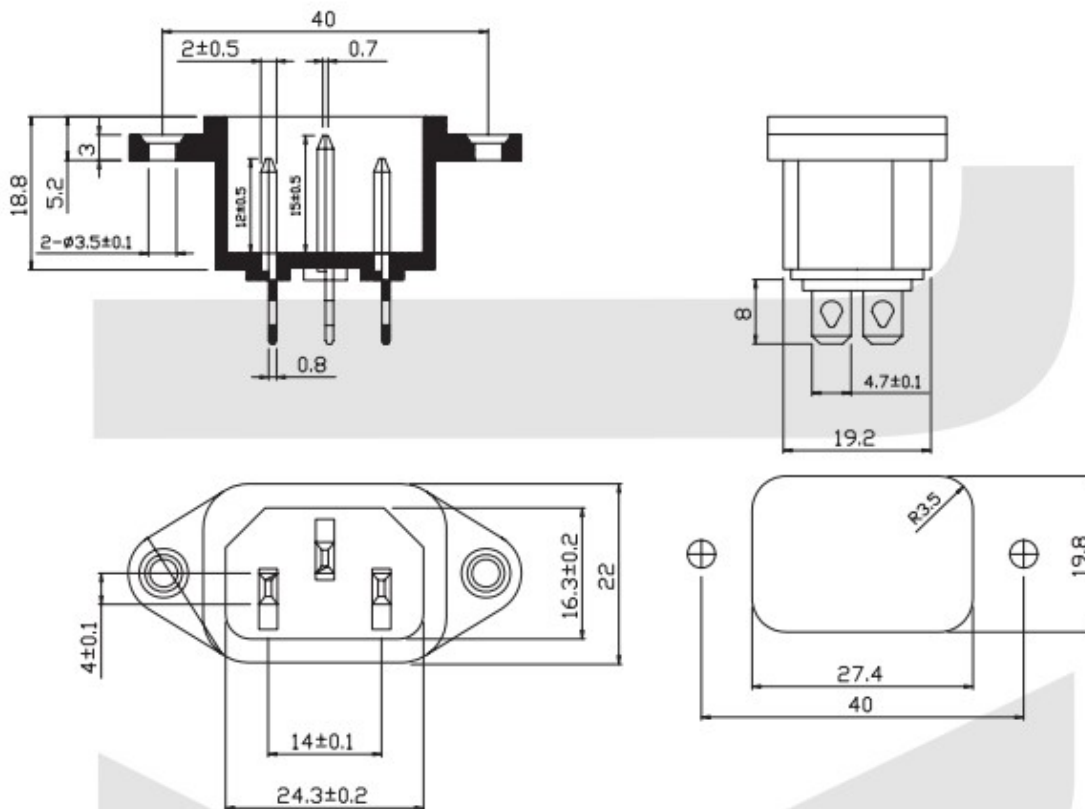
### KLS1-AS-301 IEC AC INLET Series

#### SPECIFICATION:

Standard: IEC 60320 C8  
Voltage rating: 250V AC  
Rating: 250VAC 10A (2.5A)  
Insulation Resistance: 100MΩ 500V DC / 1 minute  
Dielectric Strength: 2000VAC / 1 minute  
Temperature range: -45°C ~ +105°C

#### Material:

Housing Material: PBT UL 94V-0 or PA66/PC UL94V-0  
Terminal: Brass ,plating Ni.



## ORDER INFORMATION

Product NO.: KLS1-AS-301

Pos. NO. \_\_\_\_\_  
AC Inlet Type \_\_\_\_\_