



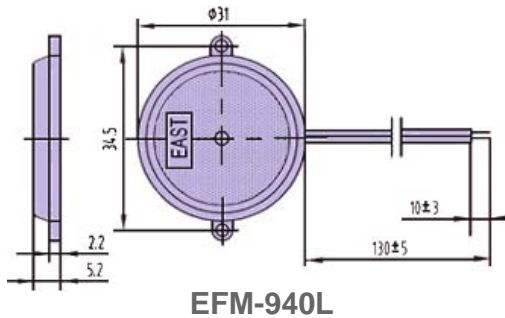
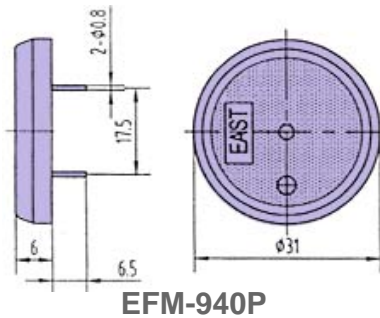
• EFM-940P/940L



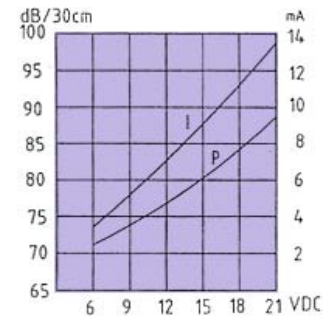
**FEATURES:**

- Low frequency
- Low consumption
- With circuit inside
- Super-thin height

**DIMENSIONS:** (Unit: mm)



**CHARACTERISTICS:**



**ELECTRICAL SPECIFICATIONS :**

Model Number.	EFM-940P	EFM-940L
Min. Sound Pressure Level (dB)	70 /12V <sub>DC</sub> /30cm	
Rated Voltage (V <sub>DC</sub> )	12	
Operating Voltage (V <sub>DC</sub> )	3 ~ 20	
Max. Consumption (mA)	8 /12V <sub>DC</sub>	
Operating Frequency (kHz)	3.1 ± 0.5	
Operating Temperature (°C)	-20 ~ +70	
Weight (g)	3	
Case Material/Colour	PC/ Black	

**PACKING INFORMATION:**

Packing:	2000 pcs per export carton	4000 pcs per export carton
Carton Size:	47 X 30.5 X 25cm	47 X 30.5 X 19cm
G. Weight:	7.5 kgs	13.5 kgs
N. Weight:	6.0 kgs	12.0 kgs