

## Data sheet

Commercial Art.No.: 57.110.1655.0

Earth disconnect terminal 9760 U/8 TKE 48 V/V0

Ground disconnect 24-48V terminal block with screw connection for mounting on TS 35 and TS 32, nominal cross section 10 mm<sup>2</sup>, width 18 mm, color gray



Commercial Art.No.	57.110.1655.0
EAN	4015573604247
Order Unit	25

## Technical data

### General

Nominal cross section	10 mm <sup>2</sup>
Color	Grey
Width/grid dimension	17.5 mm
Insulating housing	PA666
Inflammability class of insulation material acc. with UL94	V0
Mounting method	DIN rail (top hat rail)/G-rail
Terminal blocks for electrical installations	yes

### Technical data

Rated current	30 A
Rated voltage	48 V
Pollution degree	3
Closing plate required	No
Type of insulation material	Thermoplastic
Length	71 mm

### Connection Data

Connection type 1	screw connection
Connection type 2	screw connection
Minimum cross section solid	1 mm <sup>2</sup>
Maximum cross section solid	10 mm <sup>2</sup>
Minimum cross section fine stranded	1 mm <sup>2</sup>
Maximum cross section fine stranded	10 mm <sup>2</sup>
Wire strip length	9 mm

Torque conductor mounting	1.2 Nm
---------------------------	--------

#### Technical Data UL/CSA

Cross section UL	18-8 AWG
Voltage UL	48 V
Current factory wiring	25 A
Current field wiring	25 A
Cross section CSA	18-8 AWG
Voltage CSA	48 V
Current CSA	25 A

#### Note

Integrated test socket	No
------------------------	----

#### Classification

ECLASS 11	
ECLASS 8.1	27141126
ETIM 7.0	EC000902
ETIM 6.0	EC000902
ETIM 5.0	EC000902
ETIM 4.0	EC000902
ETIM 3.0	EC000902

#### Product compliance

ROHS conformity status	Compliant/Exempted
ROHS exceptions	III-6(c)
REACH-SVHC conformity status	Duty-To-Declare
REACH-SVHC substances	Lead
REACH-SVHC CAS numbers	7439-92-1

#### Accessories

Commercial Art.No.:	Article-type description:	Description:
98.190.0000.0	Mounting rail TS 32 UNPERF - l:2000mm	Mounting rail G 32, unslotted, Höhe 5,5 mm, length 2 m, material steel. galv. zinc-plated and dichromated
98.190.1000.0	Mounting rail TS 32 PERF 15mm - l:2000mm	Mounting rail G 32, slotted, Höhe 15 mm, length 2 m, material steel. galv. zinc-plated and dichromated
98.210.0000.0	Mounting rail TS 32 UNPERF AL - l:2000mm	Mounting rail G 32, unslotted, Höhe 15 mm, length 2 m, material Aluminium
98.220.0000.0	Mounting rail TS 32 UNPERF CU - l:2000mm	Mounting rail G 32, unslotted, Höhe 15 mm, length 2 m, material E copper
98.300.0000.0	Mounting rail TS 35x7,5 UNPERF - l:2000mm	Mounting rail TS 35, unslotted, size 7,5 mm, length 2 m, material steel. galv. zinc-plated and dichromated
98.300.1000.0	Mounting rail TS 35x7,5 PERF 15mm - l:2000mm	Mounting rail TS 35, slotted, size 7,5 mm, length 2 m, material steel. galv. zinc-plated and dichromated
98.300.1900.0	Mounting rail TS 35x7,5 PERF 25mm - l:2000mm	Mounting rail TS 35, slotted, size 7,5 mm, length 2 m, material steel. galv. zinc-plated and dichromated
98.360.0000.0	Mounting rail TS 35x15-2,3 UNPERF - l:2000mm	Mounting rail TS 35, unslotted, size 15 mm, length 2 m, material steel. galv. zinc-plated and dichromated

98.360.0004.0	Mounting rail TS 35x15-2,3 UNPERF FZN - l:2000mm	Mounting rail TS 35, unslotted, size 15 mm, length 2 m, material steel, hot galvanized
98.370.0000.0	Mounting rail TS 35x15 UNPERF - l:2000mm	Mounting rail TS 35, unslotted, size 15 mm, length 2 m, material steel. galv. zinc-plated and dichromated
98.370.1000.0	Mounting rail TS 35x15 PERF 15mm - l:2000mm	Mounting rail TS 35, slotted, size 15 mm, length 2 m, material steel. galv. zinc-plated and dichromated
98.380.0000.0	Mounting rail TS 35x15-2,3 UNPERF CU - l:2000mm	Mounting rail TS 35, unslotted, size 15 mm, length 2 m, material E copper
98.300.1800.0	Mounting rail TS 35x7,5 PERF 18mm - l:2000mm	Mounting rail TS 35, slotted, size 7,5 mm, length 2 m, material steel. galv. zinc-plated and dichromated
04.242.8053.0	Marking tag strips 9705 A / 8 / 10	Marking tag strips for DIN rail terminal blocks type 9700 A / 8..., 10 tags per strip, color: blue, unmarked, markable with Wieplot plotter-system

A

B

C

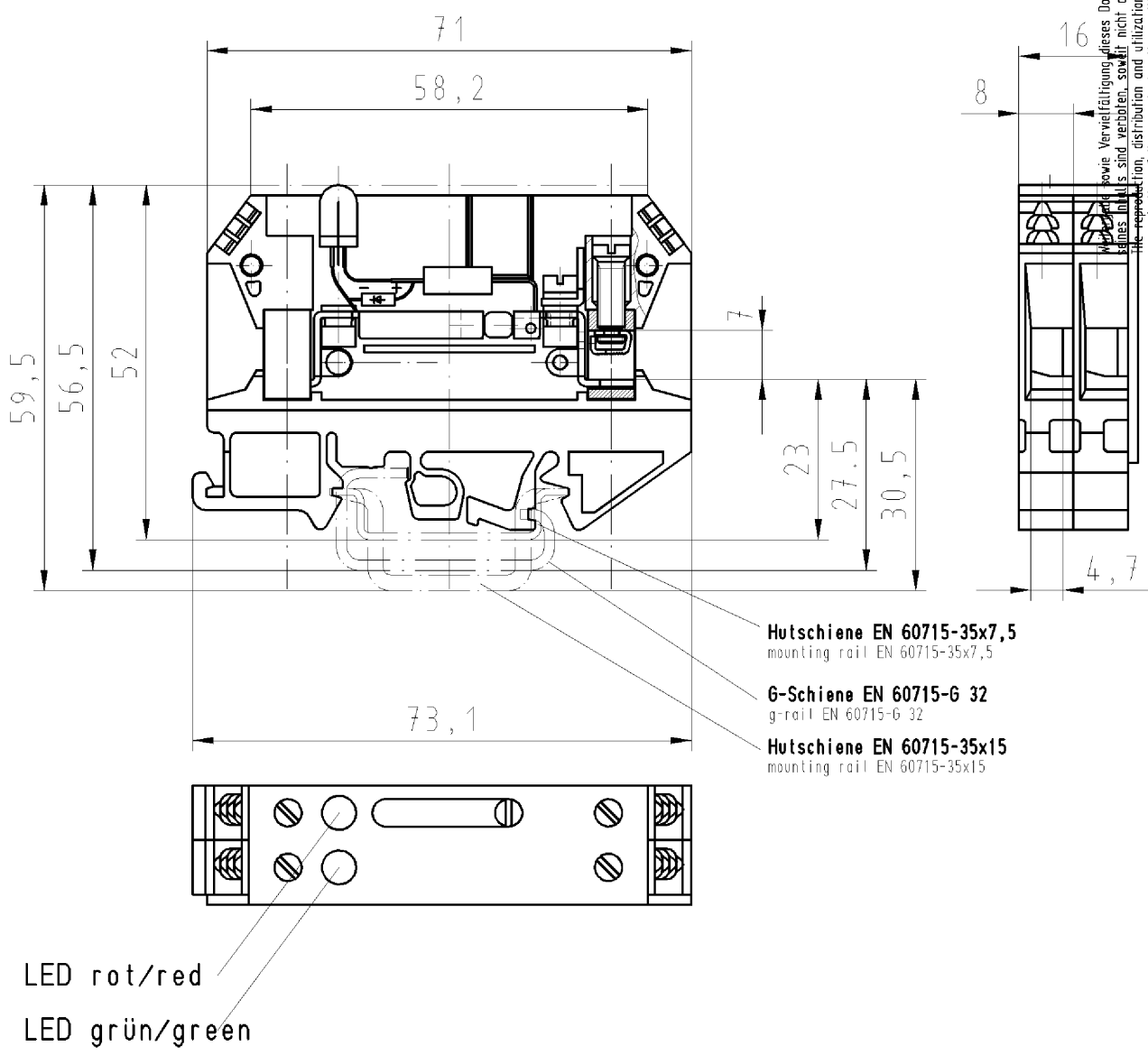
D

E

F

These dimensions will be especially checked at delivery  
 Only inspection dimensions  
 With /E marked dimensions are only valid for internal use

Diese Maße werden bei Abnahme besonders geprüft  
 Ausschließlich Prüfmaße  
 Mit /E gekennzeichnete Maße sind nur für interne Zwecke gültig



Weitere Daten siehe Katalog  
 further data see catalog

Tolerierung nach DIN 7167/Tolerance system acc. to DIN 7167.  
 (This DIN-standard describes the envelope principle. According to the envelope principle the deviations of form and parallelism are limited by the size tolerances).

ja/yes  Stoffverbots- und Deklarationsliste nach UU-TQM-05/03 ist einzuhalten.  
 Conformity with Wieland document UU-TQM-05/03 (list of prohibited / declarable hazardous substances) to be declared!

Freitoleranz nach General tolerance CAD - Zeichnung, keine manuellen Änderungen CAD - drawing, no manual modifications allowed 1.Verwendung: - First Use: Blatt: 1 von 1 Sheet: 1 of 1

	/		Werkstoff/Material	2006	Tag/Date	Name	Zeichnung Nr./Drawing No.	Index
	/			gezeichnet drawn	11.01.	Schmitt J.		
	/			Maßstab/Scale	geprüft checked	-		
	/	%	Normgepr. Stand. check	-	-	Maße in mm/Dimensions are in mm		

	/	Vol.	mm <sup>3</sup>	Offl./Surf.	mm <sup>2</sup>	Ersatz für/Replacement for: -	Type	Benennung/Title	
	/					<b>wieland</b>		9760 U/8	ERDLEITERTR_KL
	/							TKE 48	24V-48V m.LED / with LED earth disconnect terminal
Änderung/Revision	Datum / Blatt Date / Sheet								

Die Weiterverbreitung dieses Dokuments, Verwertung und Mitteilung  
 ohne schriftliche Genehmigung sind ausdrücklich untersagt.  
 The reproduction, distribution and utilization of this document as well as the  
 communication of its contents to others without express authorization is prohibited.