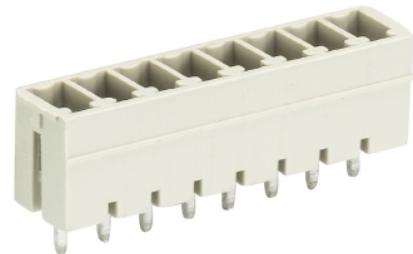


Data sheet

Commercial Art.No.: 25.626.0553.0

PCB pin header 8813 S / 5 G OB

PCB pin header with pin header, connection method depends on used socket part , 5 poles, pitch: 3.81 mm, type of packing: carton, color: grey



Commercial Art.No.	25.626.0553.0
EAN	4015573349636
Order Unit	50

Certificates / Approvals



Technical data

General

Modular spacing	3.81 mm
Soldering process	Wave soldering
Packaging	Carton
Number of poles	5
Number of levels	1
Marking	No
Fastening	Flange
Mating direction towards (circuit) board	90°

Technical data

Rated current	8 A
Overvoltage Category I	690 V
Overvoltage Category II	250 V
Overvoltage Category III	125
Rated impulse voltage	2.5 kV

Technical Data UL/CSA

Voltage UL	300 V
Current field wiring	8 A
Current factory wiring	8 A
Voltage CSA	300 V
Current CSA	5 A

Other

Type of insulation material	Thermoplastic
Color	Grey

Height	9.2 mm
Length	20.44 mm
Depth	7.15 mm
Material contact base	CuZn
Material contact surface	Sn

Classification

ECLASS 11	
ECLASS 8.1	27440402
ETIM 7.0	EC002637
ETIM 6.0	EC002637
ETIM 5.0	EC002637
ETIM 4.0	EC002637

Product compliance

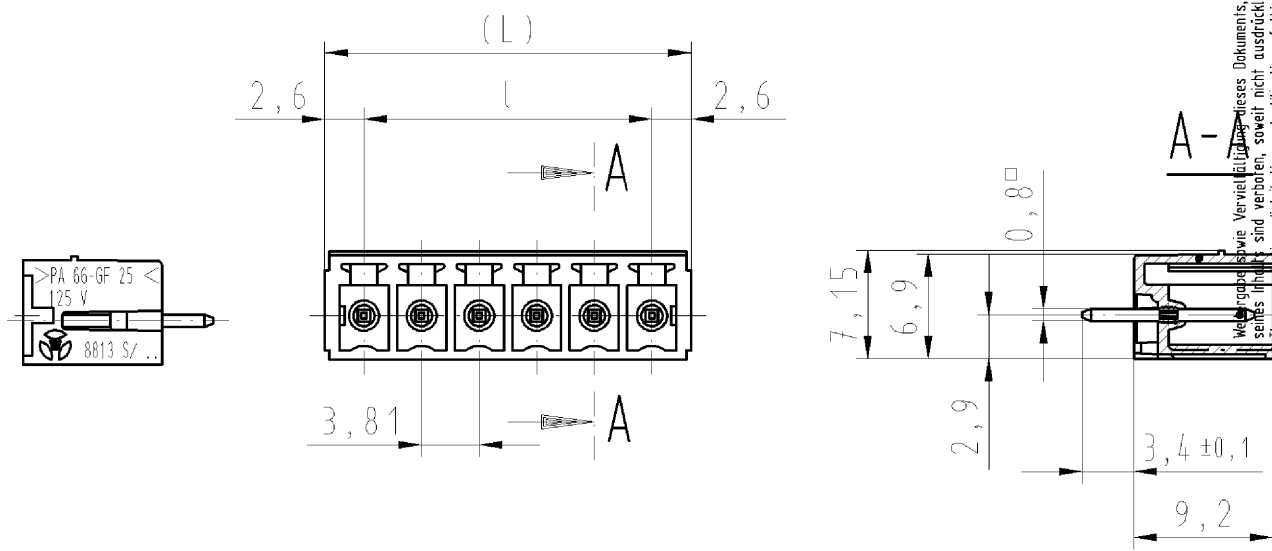
ROHS conformity status	Compliant
REACH-SVHC conformity status	Compliant

Fits with

Commercial Art.No.:	Article-type description:	Description:
25.620.3553.0	PCB connector 8813 B / 5 OB	PCB female connector with screw connection with rising cage clamp system, 5 poles, max. cross section: 1.5 mm ² , pitch: 3.81 mm, type of packing: carton, color: grey
25.620.0553.0	PCB connector 8813 B / 5	PCB female connector with screw connection with rising cage clamp system, 5 poles, printed version, max. cross section: 1.5 mm ² , pitch: 3.81 mm, type of packing: carton, color: grey
25.622.3553.0	PCB connector 8813 B / 5 VR OB	PCB female connector with screw connection with rising cage clamp system, 5 poles, max. cross section: 1.5 mm ² , pitch: 3.81 mm, type of packing: carton, color: grey
25.622.0553.0	PCB connector 8813 B / 5 VR	PCB female connector with screw connection with rising cage clamp system, 5 poles, printed version, max. cross section: 1.5 mm ² , pitch: 3.81 mm, type of packing: carton, color: grey
25.624.3553.0	PCB connector 8813 B / 5 VL OB	PCB female connector with screw connection with rising cage clamp system, 5 poles, max. cross section: 1.5 mm ² , pitch: 3.81 mm, type of packing: carton, color: grey
25.624.0553.0	PCB connector 8813 B / 5 VL	PCB female connector with screw connection with rising cage clamp system, 5 poles, printed version, max. cross section: 1.5 mm ² , pitch: 3.81 mm, type of packing: carton, color: grey

6-polige Ausführung gezeichnet 6-pole version drawn

These dimensions will be especially checked at delivery
Only inspection dimensions
With /E marked dimensions are only valid for internal use



Diese Maße werden bei Abnahme besonders geprüft
Ausschließlich Prüfmaße
Mit /E gekennzeichnete Maße sind nur für interne Zwecke gültig

Weitere Daten siehe Katalog
further data see catalog

.F	Farbe/colour
.0	grau/grey
.1	schwarz/black
.7	grün/green

Teile-Nr. part number	Pol- zahl pole	(L)	l	Typ type
25.626.0253.F	2	9.01	3.81	8813 S / 2 G
25.626.0353.F	3	12.82	7.62	8813 S / 3 G
25.626.0453.F	4	16.63	11.43	8813 S / 4 G
25.626.0553.F	5	20.44	15.24	8813 S / 5 G
25.626.0653.F	6	24.25	19.05	8813 S / 6 G
25.626.0753.F	7	28.06	22.86	8813 S / 7 G
25.626.0853.F	8	31.87	26.67	8813 S / 8 G
25.626.0953.F	9	35.68	30.48	8813 S / 9 G
25.626.1053.F	10	39.49	34.29	8813 S /10 G
25.626.1153.F	11	43.30	38.10	8813 S /11 G
25.626.1253.F	12	47.11	41.91	8813 S /12 G
25.626.1353.F	13	50.92	45.72	8813 S /13 G
25.626.1453.F	14	54.73	49.53	8813 S /14 G
25.626.1553.F	15	58.54	53.34	8813 S /15 G
25.626.1653.F	16	62.35	57.15	8813 S /16 G
25.626.1753.F	17	66.16	60.96	8813 S /17 G
25.626.1853.F	18	69.97	64.77	8813 S /18 G
25.626.1953.F	19	73.78	68.58	8813 S /19 G
25.626.2053.F	20	77.59	72.39	8813 S /20 G

Tolerierung nach DIN 7167/Tolerance system acc. to DIN 7167.
(This DIN-standard describes the envelope principle. According to the envelope principle the deviations of form and parallelism are limited by the size tolerances).

ja/yes Stoffverbots- und Deklarationsliste nach UU-TQM-05/03 ist einzuhalten.
Conformity with Wieland document UU-TQM-05/03 (list of prohibited / declarable hazardous substances) to be declared!

Freitoleranz nach
General tolerance

CAD - Zeichnung, keine manuellen Änderungen
CAD - drawing, no manual modifications allowed

1.Verwendung:
First Use:

Blatt: 1 von 1
Sheet: 1 of 1

Werkstoff/Material		2008	Tag/Date	Name	Zeichnung Nr./Drawing No.		Index
Maßstab/Scale 2:1		gezeichnet drawn	10.03.	Schmitt J.	T 25.626.0253.0 01K		
		geprüft checked	-	-			
		Normgepr. Stand. check	-	-			
Vol. mm ³ OfI./Surf. mm ²		Ersatz für/Replacement for: -					
wieland		Type	Benennung/Tittle				
Elektrische Verbindungen		8813 S / 2-20 G		LP_STIFTLISTE			
Index		Datum / Blatt Date / Sheet		Rastermaß/pitch: 3,81mm PCB PIN HEADER			
Änderung/Revision							

Dieses Dokument ist Eigentum der Wieland-Gruppe. Die Weitergabe dieses Dokuments, Verwertung und Mitteilung
 ohne schriftliche Genehmigung der Wieland-Gruppe ist ausdrücklich untersagt. Die Reproduktion, Verbreitung und
 Nutzung dieses Dokuments ist ohne schriftliche Genehmigung der Wieland-Gruppe ausdrücklich untersagt.

256260253001K_4 CADW1042 Schmitt 2008-03-11T14:08:49 1.000