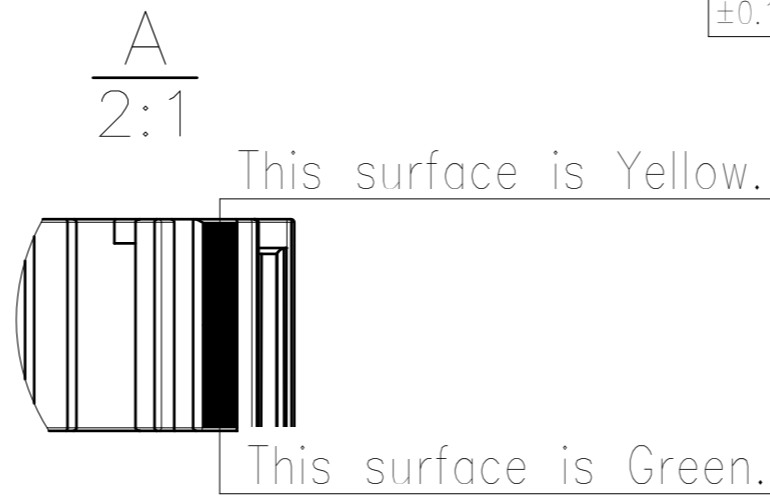
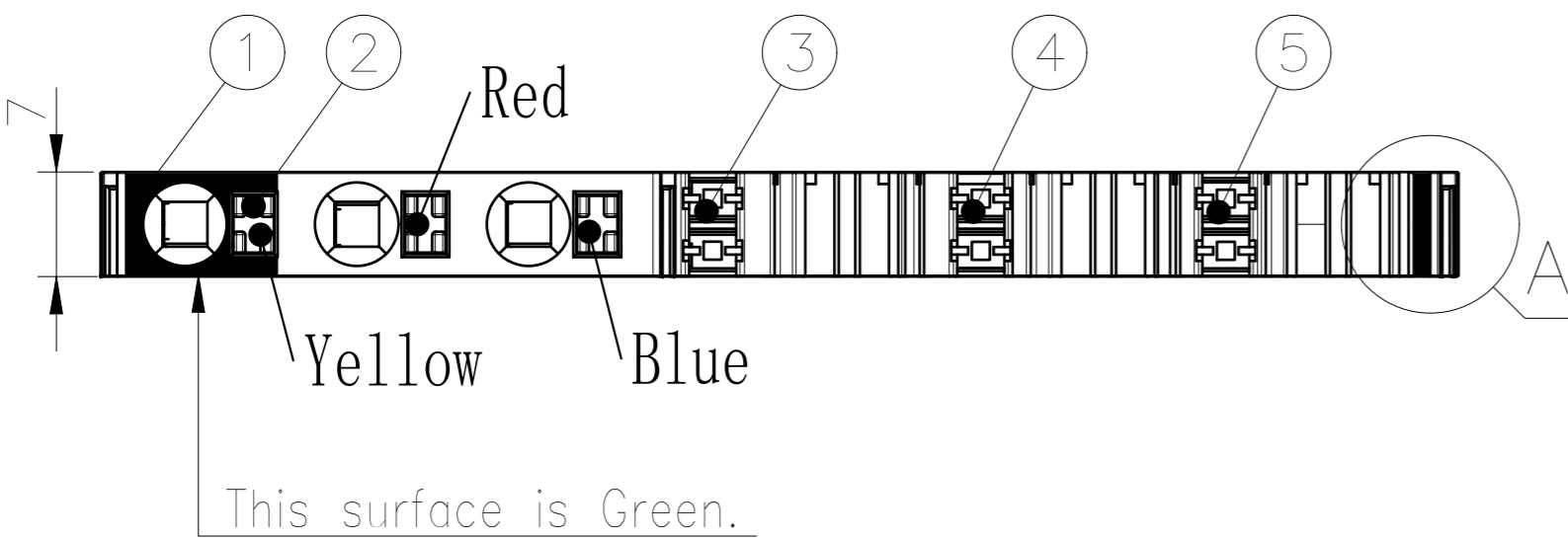
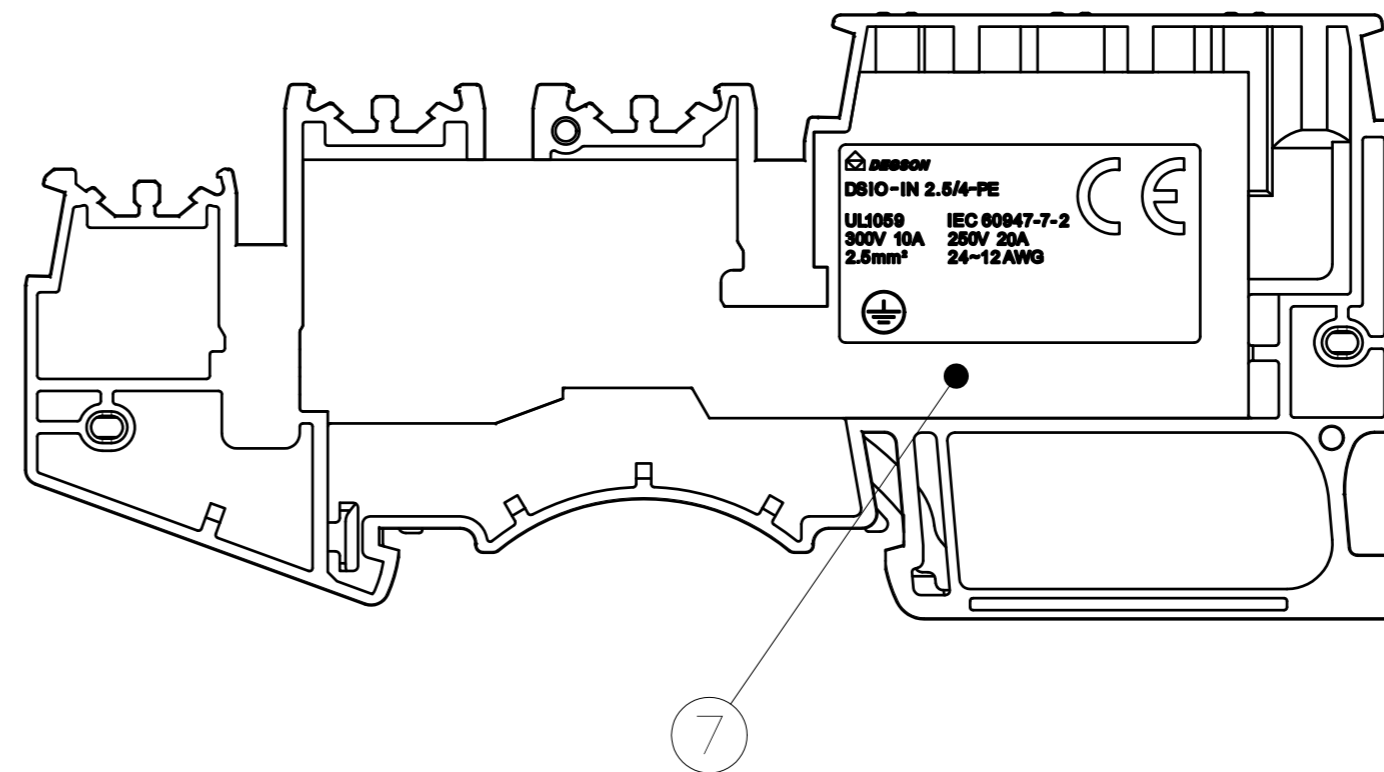
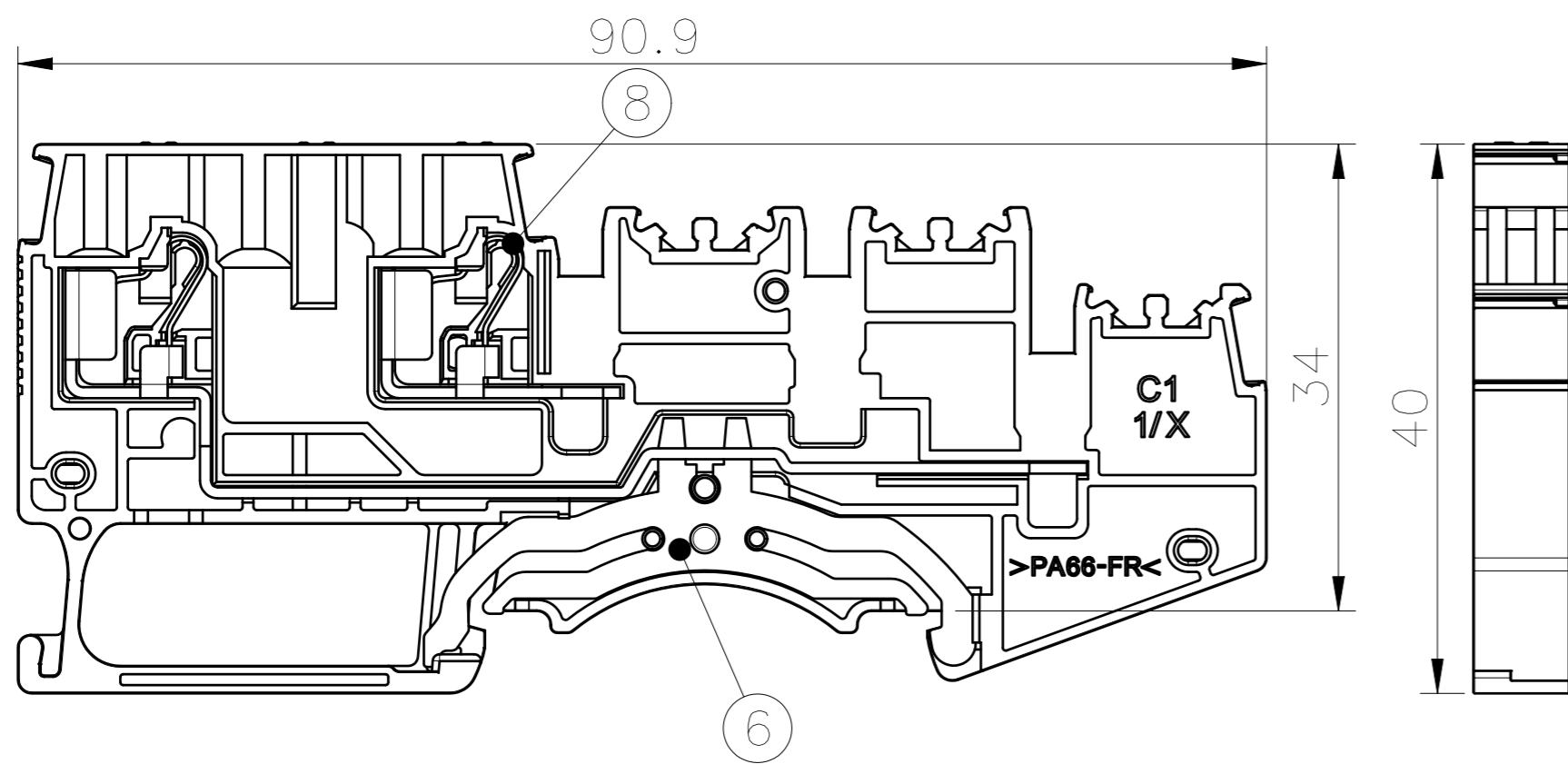


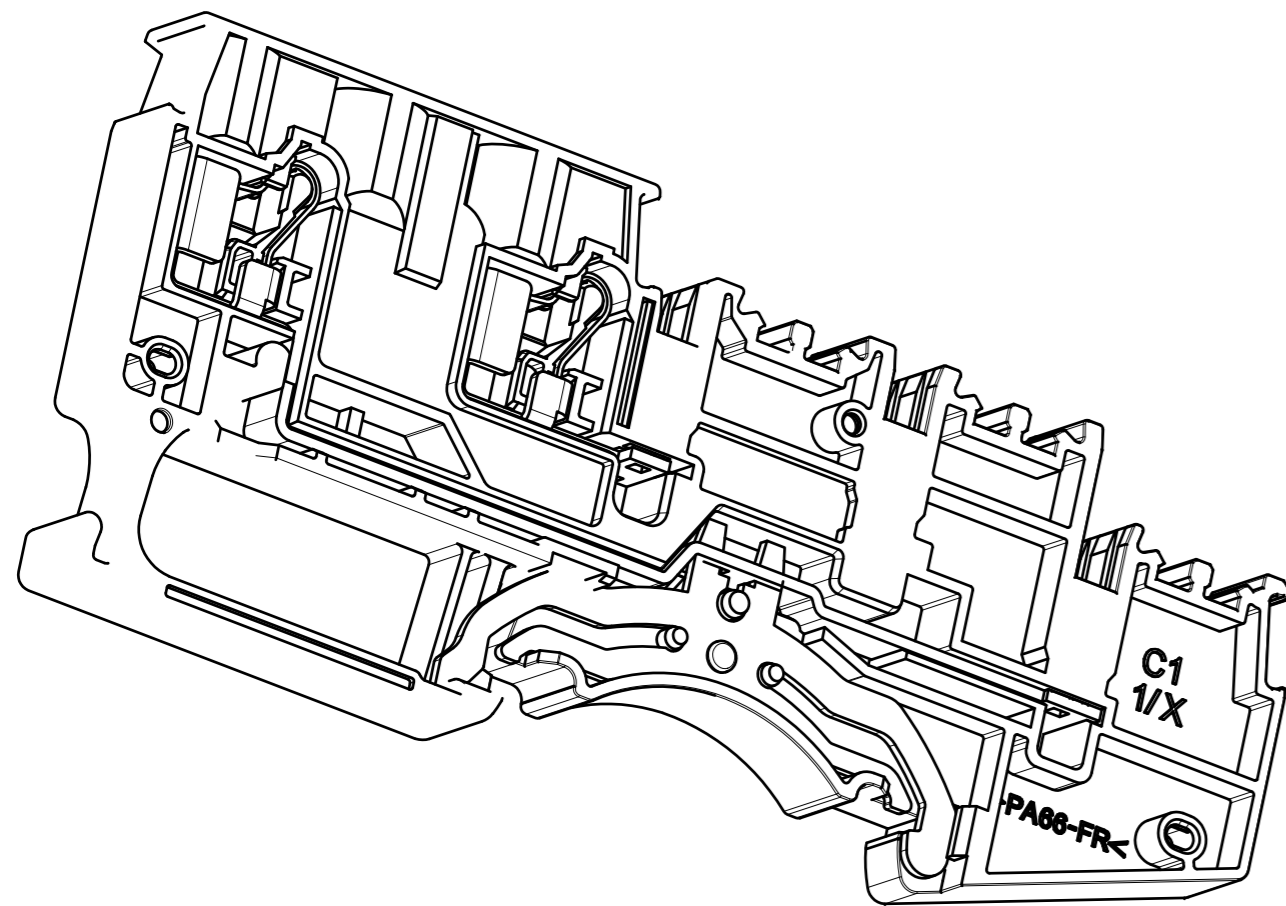
未注公差/General tolerances(mm)													0.1/10	
0	>3	>6	>10	>18	>30	>50	>80	>120	>180	>250	>315	>400		>500
±0.12	±0.18	±0.22	±0.26	±0.31	±0.37	±0.57	±0.80	±0.93	±1.05	±1.15	±1.60	±2.20	±2.50	±2'



UL 标准/UL Standard:	B	C	D
额定电压/电流/Rated Voltage(V)/Current(A)	300V/10	150/16	300/10
IEC 标准/IEC Standard:			
过压类别/Overvoltage Category/污染等级/Pollution Degree	III/3	III/2	II/2
额定电压/电流/Rated Voltage(V)/Current(A)	250/20	/	/
额定脉冲电压(KV)/Rate Impulse Voltage(KV)	4	/	/
线径范围(硬线和软线)/Wire Range(rigid and flexible)(AWG/mm ²)	26~12 / 0.2~2.5mm ² & 4mm ² sol		
间距/Pitch(mm)	7.0		
剥线长度/Stripping length(mm)	11~12		
使用温度范围/Operating temperature(°C)	-40~+105		
符合 RoHS 环保要求/Conform to RoHS	Yes		



Please refer to the 3D model, for these unmarked dimensions.



ITEM	NAME OF PART	MATERIAL	NOTES
8	Spring	Stainless steel	/
7	Cover	PA66	UL94V-0
6	Grounding	Copper alloy	Sn Plated
5	Current carrier 3	Copper	Sn Plated
4	Current carrier 2	Copper	Sn Plated
3	Current carrier 1	Copper	Sn Plated
2	Button 1	PA66+GF%	UL94V-0
1	Housing	PA66	UL94V-0

DEGSON		MATERIAL: /	SURFACE: /		
		MAT NO./REV: /		MAT STATUS: /	
APPD: LiGL	2022.06.13	NAME			
CHKD: MaEK	2022.06.13	DSIO-IN 2.5/4-PE OG			
DRFT: YanH	2022.06.13				
DRAWING NO. /		TYPE	DRAWING STATUS	SCALE	SHEET
/		CUSTOMER DRAWING	/	2:1	1/1

REV	ECN	DESCRIPTION	DRFT	DATE
00	/	/	YanH	2022.06.13

Transfer or duplication of this document as well as the utilization or communication of its contents are prohibited unless explicit authorization is granted. Violations will be liable for compensation. All rights reserved for patent, utility model or designs registrations. 非经许可擅自复制或传播, 否则禁止转让、复制、利用、交流本文件的内容, 侵犯者将负法律责任。实用新型和外观设计的所有权利。