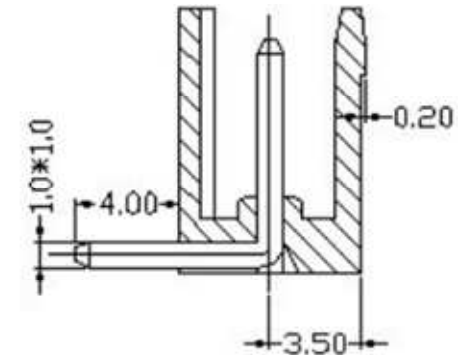
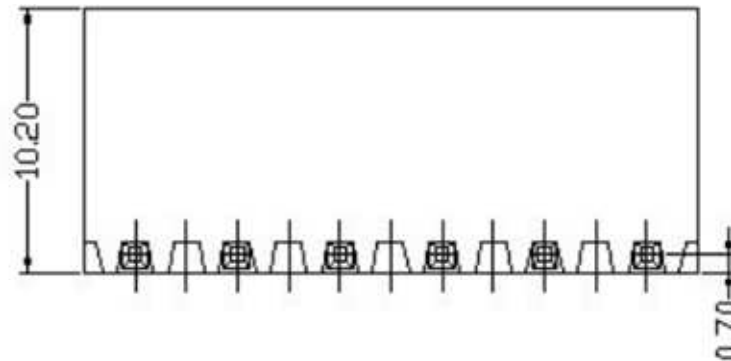
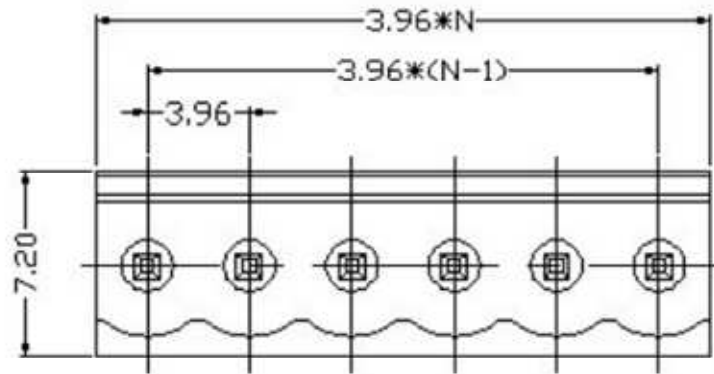


N - number of contacts Pitch: 3.96mm



color: yellow, green
 certification: UL, CE, CQC
 Type: male

1. Material:

- Pin header: BRASS, TIN PLATED
- Housing : PA66, UL94V-0

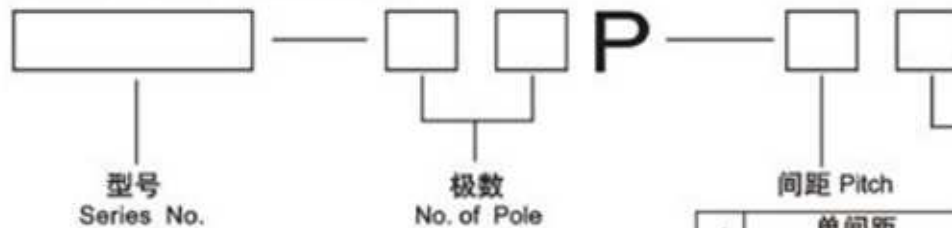
2. Electrical:

- Rated voltage : 150V
- rated current : 8A
- contact resistance : 20mΩ
- insulation resistance: 5000MΩ/1000V
- withstanding voltage: AC1500V/1Min

3. Mechanical:

- temp. range: -40°C...+105°C
- max soldering: +250°C for 5 sec.

HOW TO ORDER



1	单间距
	Single pitch
2	双间距
	Double pitch

1	灰色	Grey
2	蓝色	Blue
3	黑色	Black
4	绿色	Green