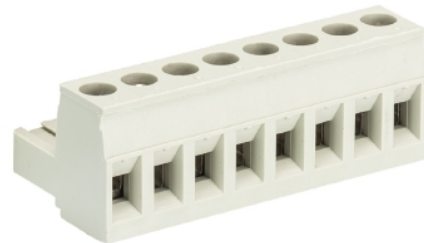


## Data sheet

Commercial Art.No.: 25.340.3853.0

PCB connector 8213 B / 8 OB

PCB female connector with screw connection with rising cage clamp system, 8 poles, max. cross section: 2.5 mm<sup>2</sup>, pitch: 5.08 mm, type of packing: carton, color: grey



|                    |               |
|--------------------|---------------|
| Commercial Art.No. | 25.340.3853.0 |
| EAN                | 4015573189744 |
| Order Unit         | 50            |

Certificates / Approvals



## Technical data

### General

|                                    |                  |
|------------------------------------|------------------|
| Modular spacing                    | 5.08 mm          |
| Connection type                    | screw connection |
| Soldering process                  | None             |
| Packaging                          | Carton           |
| Number of poles                    | 8                |
| Marking                            | No               |
| Fastening                          | None             |
| Mating direction towards connector | 180°             |

### Technical data

|                          |                     |
|--------------------------|---------------------|
| Nominal cross section    | 2.5 mm <sup>2</sup> |
| Rated current            | 12 A                |
| Overvoltage Category I   | 1000 V              |
| Overvoltage Category II  | 400 V               |
| Overvoltage Category III | 250 V               |
| Rated impulse voltage    | 4 kV                |
| Wire strip length        | 6 mm                |

### Connection Data

|                                     |                      |
|-------------------------------------|----------------------|
| Minimum cross section solid         | 0.14 mm <sup>2</sup> |
| Maximum cross section solid         | 2.5 mm <sup>2</sup>  |
| Minimum cross section fine stranded | 0.14 mm <sup>2</sup> |
| Maximum cross section fine stranded | 2.5 mm <sup>2</sup>  |
| Wire strip length                   | 6 mm                 |

### Technical Data UL/CSA

|                  |           |
|------------------|-----------|
| Cross section UL | 22-12 AWG |
|------------------|-----------|

|                        |           |
|------------------------|-----------|
| Voltage UL             | 300 V     |
| Current field wiring   | 15 A      |
| Current factory wiring | 15 A      |
| Cross section CSA      | 22-12 AWG |
| Voltage CSA            | 300 V     |
| Current CSA            | 15 A      |

#### Other

|                             |               |
|-----------------------------|---------------|
| Type of insulation material | Thermoplastic |
| Color                       | Grey          |
| Height                      | 15 mm         |
| Length                      | 40.64 mm      |
| Depth                       | 18.2 mm       |
| Material attachment screw   | CuSn/Steel    |
| Material contact base       | CuSn          |
| Material contact surface    | Sn            |

#### Classification

|            |          |
|------------|----------|
| ECLASS 11  |          |
| ECLASS 8.1 | 27440402 |
| ETIM 7.0   | EC002637 |
| ETIM 6.0   | EC002637 |
| ETIM 5.0   | EC002637 |
| ETIM 4.0   | EC002637 |

#### Product compliance

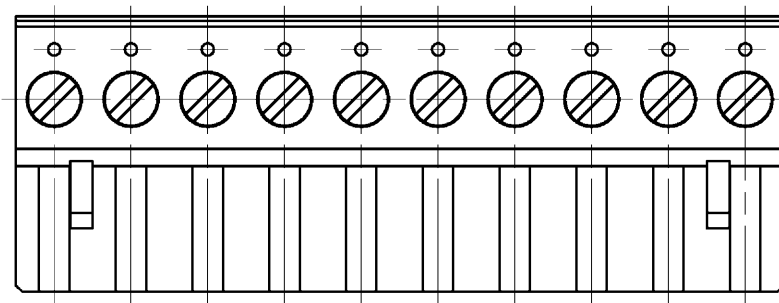
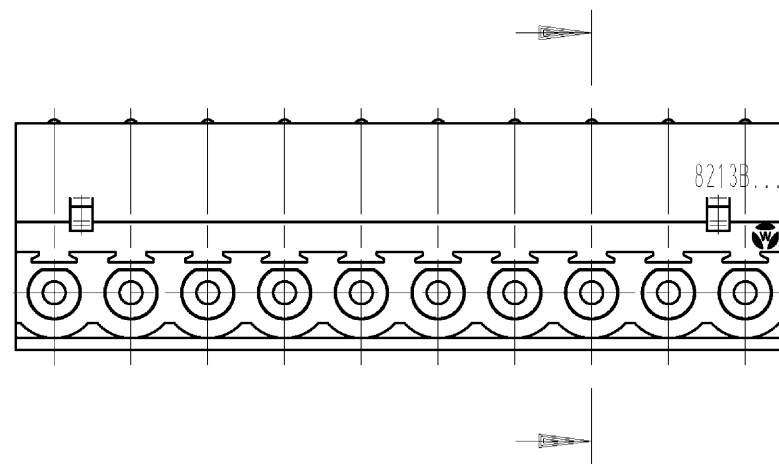
|                              |                    |
|------------------------------|--------------------|
| ROHS conformity status       | Compliant/Exempted |
| ROHS exceptions              | III-6(c)           |
| REACH-SVHC conformity status | Duty-To-Declare    |
| REACH-SVHC substances        | Lead               |
| REACH-SVHC CAS numbers       | 7439-92-1          |

#### Fits with

| Commercial Art.No.: | Article-type description:             | Description:  |
|---------------------|---------------------------------------|---|
| 25.352.3853.0       | PCB pin header 8213 S / 8 W OB        | PCB pin header, connection method depends on used socket part , 8 poles, pitch: 5.08 mm, type of packing: carton, color: grey   |
| 25.350.3853.0       | PCB pin header 8213 S / 8 G OB        | PCB pin header, connection method depends on used socket part , 8 poles, pitch: 5.08 mm, type of packing: carton, color: grey   |
| 99.208.9996.2       | PCB pin header 8213 S / 8 W OB OF     | PCB pin header, connection method depends on used socket part , 8 poles, pitch: 5.08 mm, type of packing: carton, color: white  |
| 99.238.9996.1       | PCB pin header 8213 S / 8 G OB OF     | PCB pin header, connection method depends on used socket part , 8 poles, pitch: 5.08 mm, type of packing: carton, color: black  |
| 25.396.3853.0       | PCB pin header 8213 S / 8 S OB        | PCB pin header, connection method depends on used socket part , 8 poles, pitch: 5.08 mm, type of packing: carton, color: grey   |
| 27.356.0853.0       | PCB pin header 8213 SEG/ 8/16 W OB    | PCB pin header, 8 poles, pitch: 5.08 mm, type of packing: carton, color: grey   |
| 26.350.3806.0       | PCB pin header 8213 S / 8 G OF OB THR | PCB pin header, connection method depends on used socket part , 8 poles, with solder pin (2.6mm, tin plated), pitch: 5.08 mm, type of packing: carton, color: black, This product can be soldered by reflow and wave soldering, |

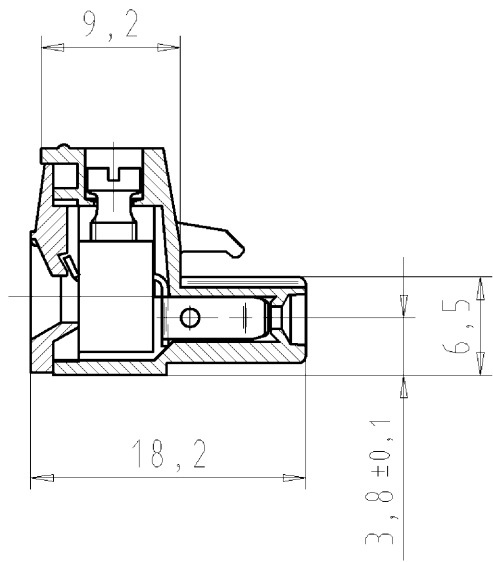
|               |                                    |   |
|---------------|------------------------------------|---|
| 25.350.3806.0 | PCB pin header 8213 S / 8 G OB THR | PCB pin header, connection method depends on used socket part , 8 poles, with solder pin (2.6mm, tin plated), pitch: 5.08 mm, type of packing: carton, color: black, This product can be soldered by reflow and wave soldering, |
| 25.352.3806.0 | PCB pin header 8213 S / 8 W OB THR | PCB pin header, connection method depends on used socket part , 8 poles, with solder pin (2.6mm, tin plated), pitch: 5.08 mm, type of packing: carton, color: black, This product can be soldered by reflow and wave soldering, |

gezeichnete Ausführung:  
10-polig  
drawn version  
10 poles

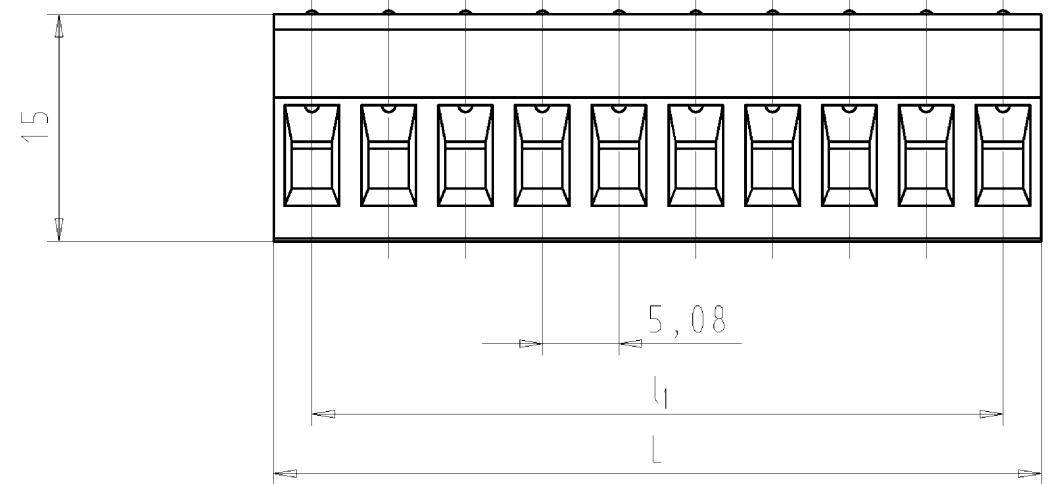


"X"

(a)



Ansicht "X"  
view "X"



Weitere Daten siehe Katalog  
 further data see catalog

| Teile-Nr.<br>part-no. | Pol-Z.<br>pole | L                    | l1                   | Typ<br>type  |
|-----------------------|----------------|----------------------|----------------------|--------------|
| 25.340.3253.F         | 2              | 10.16 <sup>0,4</sup> | 5.08 <sup>0,4</sup>  | 8213 B/ 2 OB |
| 25.340.3353.F         | 3              | 15.24 <sup>0,4</sup> | 10.16 <sup>0,4</sup> | 8213 B/ 3 OB |
| 25.340.3453.F         | 4              | 20.32                | 15.24                | 8213 B/ 4 OB |
| 25.340.3553.F         | 5              | 25.40                | 20.32                | 8213 B/ 5 OB |
| 25.340.3653.F         | 6              | 30.48                | 25.40                | 8213 B/ 6 OB |
| 25.340.3753.F         | 7              | 35.56                | 30.48                | 8213 B/ 6 OB |
| 25.340.3853.F         | 8              | 40.64                | 35.56                | 8213 B/ 7 OB |
| 25.340.3953.F         | 9              | 45.72                | 40.64                | 8213 B/ 8 OB |
| 25.340.4053.F         | 10             | 50.80                | 45.72                | 8213 B/ 9 OB |
| 25.340.4153.F         | 11             | 55.88                | 50.80                | 8213 B/10 OB |
| 25.340.4253.F         | 12             | 60.96                | 55.88                | 8213 B/11 OB |
| 25.340.4353.F         | 13             | 66.04                | 60.96                | 8213 B/12 OB |
| 25.340.4453.F         | 14             | 71.12                | 66.04                | 8213 B/13 OB |
| 25.340.4553.F         | 15             | 76.20                | 71.12                | 8213 B/14 OB |
| 25.340.4653.F         | 16             | 81.28                | 76.20                | 8213 B/15 OB |
| 25.340.4753.F         | 17             | 86.36                | 81.28                | 8213 B/16 OB |
| 25.340.4853.F         | 18             | 91.44                | 86.36                | 8213 B/17 OB |
| 25.340.4953.F         | 19             | 96.52                | 91.44                | 8213 B/18 OB |
| 25.340.5053.F         | 20             | 101.60               | 96.52                | 8213 B/19 OB |
| 25.340.5153.F         | 21             | 106.68               | 101.60               | 8213 B/20 OB |
| 25.340.5253.F         | 22             | 111.76               | 106.68               | 8213 B/21 OB |
| 25.340.5353.F         | 23             | 116.84               | 111.76               | 8213 B/22 OB |
| 25.340.5453.F         | 24             | 121.92               | 116.84               | 8213 B/23 OB |

| .F | Farbe/ colour  |    |             |
|----|----------------|----|-------------|
| .0 | grau/grey      | .6 | blau/blue   |
| .1 | schwarz/ black | .7 | grün/green  |
| .2 | weiß/white     | .8 | gelb/yellow |
| .4 | braun/brown    | .9 | orange      |

|   |  |   |   |
|---|--|---|---|
| Tolerierung Size ISO 14405/Tolerance system Size ISO 14405.<br>(This ISO-standard describes the envelope principle. According to the envelope principle the deviations of form and parallelism are limited by the size tolerances). |  | ja/yes <input checked="" type="checkbox"/> Stoffverbots- und Deklarationsliste nach UU-TOM-05/03 ist einzuhalten.<br>Conformity with Wieland document UU-TOM-05/03 (list of prohibited / declarable hazardous substances) to be declared! |   |
| Freitoleranz nach DIN ISO 2768 - m<br>General tolerance   |  | CAD - Zeichnung, keine manuellen Änderungen<br>CAD - drawing, no manual modifications allowed   | 1.Verwendung:<br>First Use: -   |
| /   |  | Werkstoff/Material  | Blatt: 1 von 1<br>Sheet: of 1   |
| /   |  | 2011 Tag/Date<br>Name   | Zeichnung Nr./Drawing No. Index<br>T 25.340.3253.0 01K a  |
| / Maßstab/Scale<br>2:1  |  | gezeichnet<br>drawn<br>geprüft<br>checked<br>Normgepr.<br>Stand. check  |   |
| / Vol. mm <sup>3</sup> Ofl./Surf. mm <sup>2</sup>   |  | Ersatz für/Replacement for: -   |   |
| /   |  | Type<br>8213 B/<br>OB   | Benennung/Tittle<br>pluggable PCB terminal<br>LP_BUCHSENLEISTE<br>mit Steck- und Schraubanschluß Rastermaß 5,08<br>with plug in and screw connection pitch 5,08 |
| / Änderung/Revision   |  | Maße in mm/Dimensions are in mm   |   |

These dimensions will be especially checked at delivery  
 Only inspection dimensions  
 With /E marked dimensions are only valid for internal use

Diese Maße werden bei Abnahme besonders geprüft  
 Ausschließliche Prüfmaße  
 Mit /E gekennzeichnete Maße sind nur für interne Zwecke gültig

Weitergabe sowie Vervielfältigung dieses Dokuments, Verwertung und Mitteilung seines Inhalts sind verboten, soweit nicht ausdrücklich gestattet.  
 The reproduction, distribution and utilization of this document as well as the communication of its contents to others without express authorization is prohibited.