

Data sheet

Commercial Art.No.: 05.563.9753.0

Flat cable mounting NRG 5G10

Flat cable bracket for gesis NRG 5 x 10 mm²



Commercial Art.No.	05.563.9753.0
EAN	4015573710795
Order Unit	1

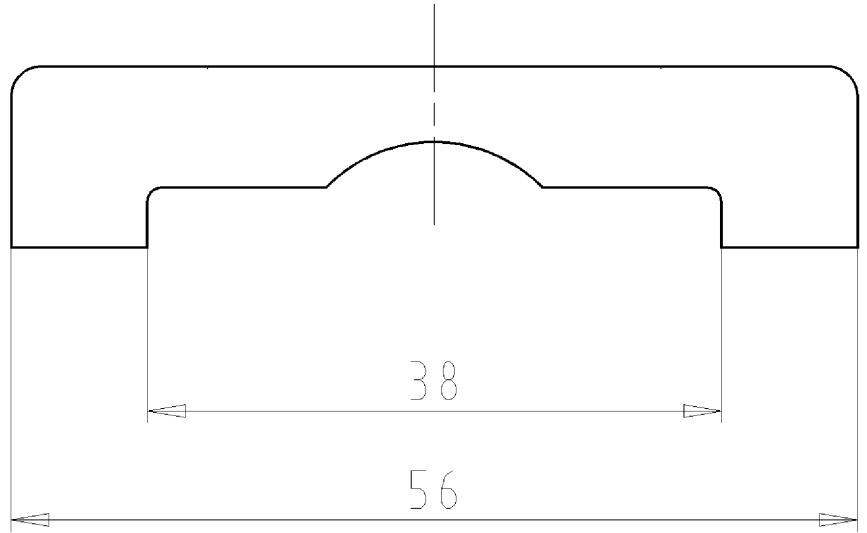
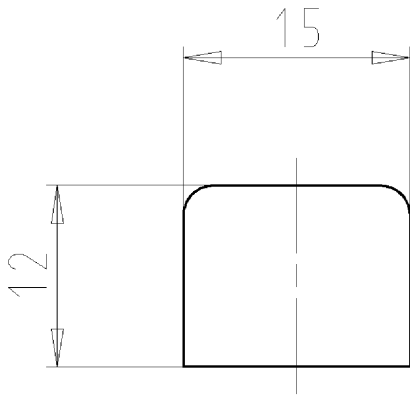
Technical data

Classification

ECLASS 11	
ETIM 7.0	EC002863
ETIM 6.0	EC002863
ETIM 5.0	EC002863

Product compliance

ROHS conformity status	Compliant
REACH-SVHC conformity status	Compliant



FLACHKABELBRÜCKE
 05.563.9753.0 10W
 01.07.2009 HOF
 M2:1

Weitergabe sowie Vervielfältigung dieses Dokuments, Verwertung und Mitteilung seines Inhalts sind verboten, soweit nicht ausdrücklich gestattet. The reproduction, distribution and utilization of this document as well as the communication of its contents to others without express authorization is prohibited.