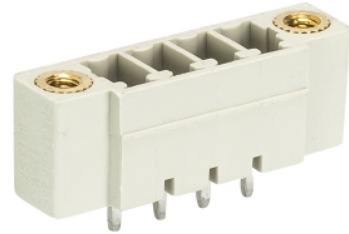


Data sheet

Commercial Art.No.: 25.626.3253.0

PCB pin header 8813 S / 2 GF OB

PCB pin header with pin header, connection method depends on used socket part , 2 poles, pitch: 3.81 mm, type of packing: carton, color: grey



| | |
|--------------------|---------------|
| Commercial Art.No. | 25.626.3253.0 |
| EAN | 4015573333796 |
| Order Unit | 100 |

Certificates / Approvals



Technical data

General

| | |
|--|----------------|
| Modular spacing | 3.81 mm |
| Soldering process | Wave soldering |
| Packaging | Carton |
| Number of poles | 2 |
| Number of levels | 1 |
| Marking | No |
| Fastening | Flange |
| Mating direction towards (circuit) board | 90° |

Technical data

| | |
|--------------------------|--------|
| Rated current | 8 A |
| Overvoltage Category I | 690 V |
| Overvoltage Category II | 250 V |
| Overvoltage Category III | 125 |
| Rated impulse voltage | 2.5 kV |

Technical Data UL/CSA

| | |
|------------------------|-------|
| Voltage UL | 300 V |
| Current field wiring | 8 A |
| Current factory wiring | 8 A |
| Voltage CSA | 300 V |
| Current CSA | 5 A |

Other

| | |
|-----------------------------|---------------|
| Type of insulation material | Thermoplastic |
| Color | Grey |

| | |
|--------------------------|----------|
| Height | 9.2 mm |
| Length | 18.01 mm |
| Depth | 7.15 mm |
| Material contact base | CuZn |
| Material contact surface | Sn |

Classification

| | |
|------------|----------|
| ECLASS 11 | |
| ECLASS 8.1 | 27440402 |
| ETIM 7.0 | EC002637 |
| ETIM 6.0 | EC002637 |
| ETIM 5.0 | EC002637 |
| ETIM 4.0 | EC002637 |

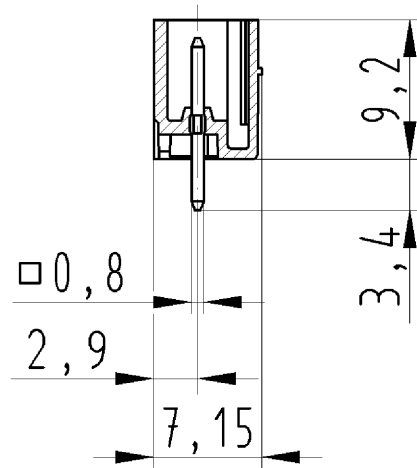
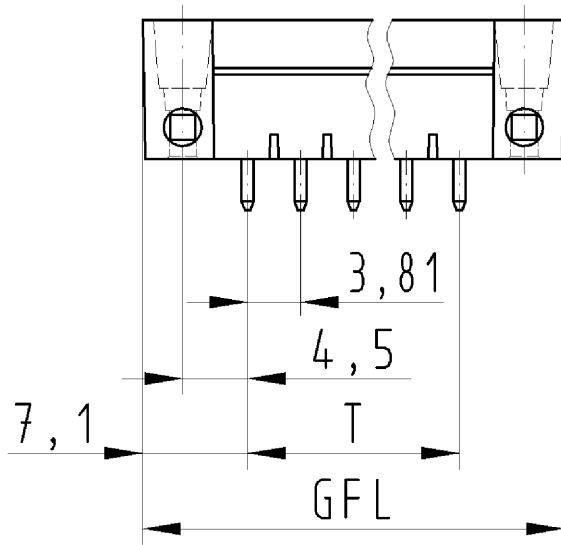
Product compliance

| | |
|------------------------------|--------------------|
| ROHS conformity status | Compliant/Exempted |
| ROHS exceptions | III-6(c) |
| REACH-SVHC conformity status | Duty-To-Declare |
| REACH-SVHC substances | Lead |
| REACH-SVHC CAS numbers | 7439-92-1 |

Fits with

| Commercial Art.No.: | Article-type description: | Description: |
|---------------------|----------------------------------|--|
| 25.621.3253.0 | PCB connector 8813 B / 2 F OB | PCB female connector with screw connection with rising cage clamp system, 2 poles, max. cross section: 1.5 mm ² , pitch: 3.81 mm, type of packing: carton, color: grey |
| 25.621.0253.0 | PCB connector 8813 B / 2 F | PCB female connector with screw connection with rising cage clamp system, 2 poles, printed version, max. cross section: 1.5 mm ² , pitch: 3.81 mm, type of packing: carton, color: grey |
| 25.623.3253.0 | PCB connector 8813 B / 2 VR F OB | PCB female connector with screw connection with rising cage clamp system, 2 poles, max. cross section: 1.5 mm ² , pitch: 3.81 mm, type of packing: carton, color: grey |
| 25.623.0253.0 | PCB connector 8813 B / 2 VR F | PCB female connector with screw connection with rising cage clamp system, 2 poles, printed version, max. cross section: 1.5 mm ² , pitch: 3.81 mm, type of packing: carton, color: grey |
| 25.625.3253.0 | PCB connector 8813 B / 2 VL F OB | PCB female connector with screw connection with rising cage clamp system, 2 poles, max. cross section: 1.5 mm ² , pitch: 3.81 mm, type of packing: carton, color: grey |
| 25.625.0253.0 | PCB connector 8813 B / 2 VL F | PCB female connector with screw connection with rising cage clamp system, 2 poles, printed version, max. cross section: 1.5 mm ² , pitch: 3.81 mm, type of packing: carton, color: grey |

für folgende Tabellen-Zchnng.:
25.626.3253.0 8813 S/...GF



LP-STIFTLLEISTE
25.626.3253.0 10W
24.10.2007 DÜT
M 2:1