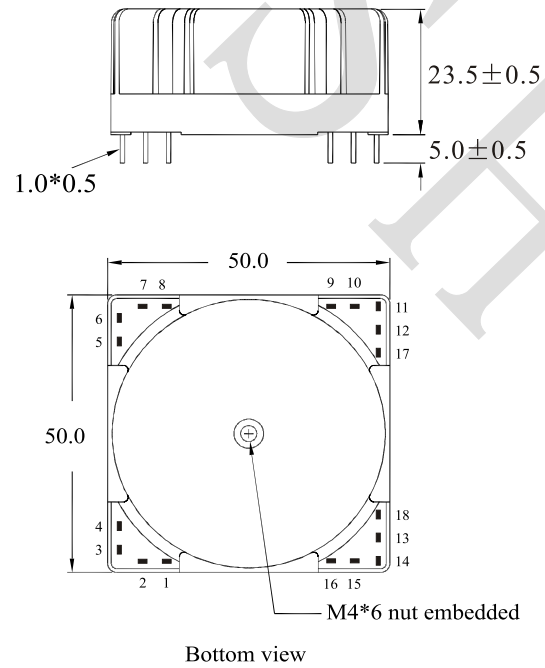
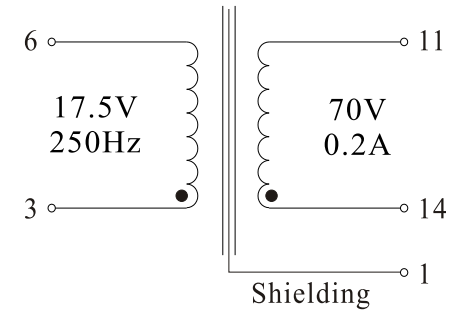


Rev.	Description	Date
A0	New release	2023.09.20

1. PHYSICAL CHARACTERISTICS (mm)



2. ELECTRONICAL SCHEMATIC



3. ELECTRONICAL SPECIFICATIONS

Pri voltage: 17.5V ± 10%, 250Hz

Sec voltage: 70V @0.2A

Power: 14VA

Hi-Pot: 1500V, 50Hz, 5mA, 1S Pri to Shielding

1500V, 50Hz, 5mA, 1S Sec to Shielding

4500V, 50Hz, 5mA, 1S Pri to Sec

NAME:	Potting Transformer		
CUSTOMER P/N:	52403K	DATE:	2023-09-20
SHINHOM P/N:	PETT140070	REV: A0	PAGE
DRAWN BY	CHECKED BY	APPROVE BY	



SHINHOM
SHAANXISHINHOM ENTERPRISE CO LTD

The Document property belong to SHINHOM & is not allowed to be duplicated without authorization