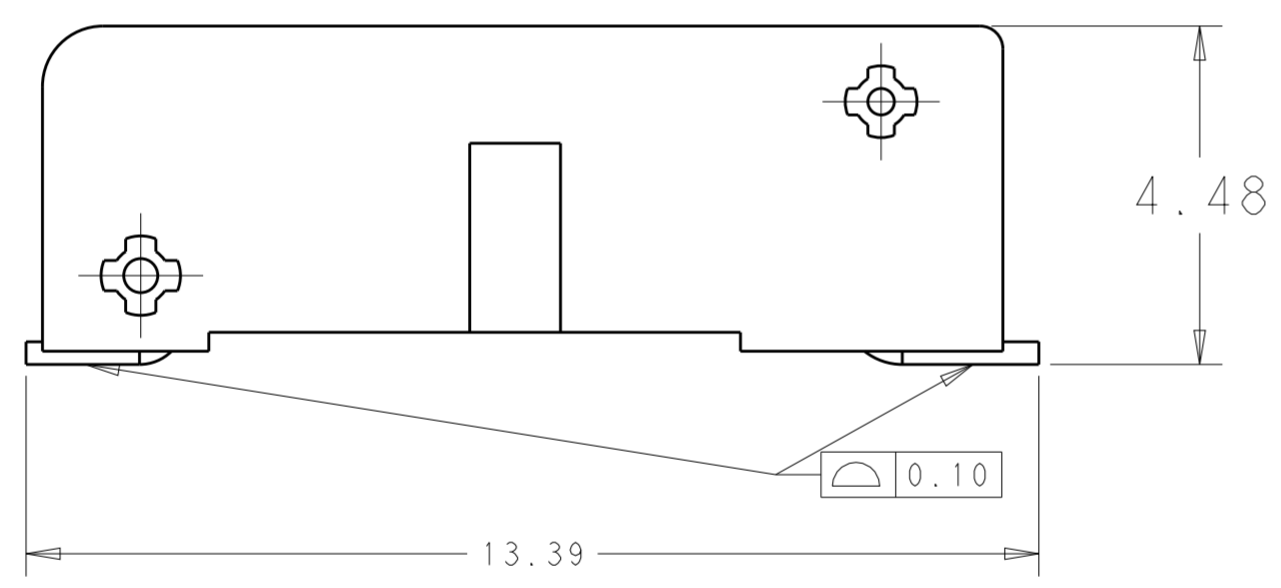
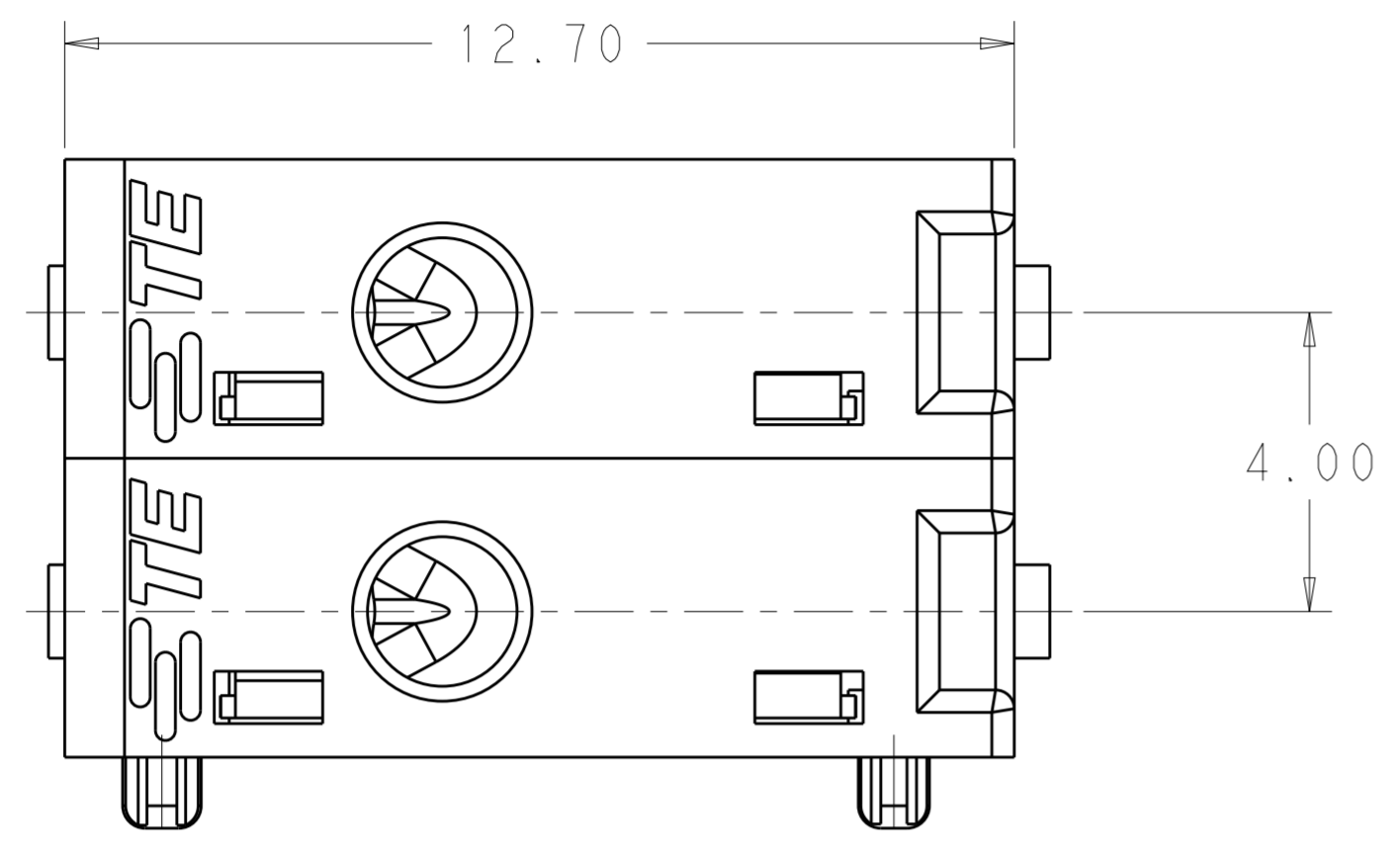


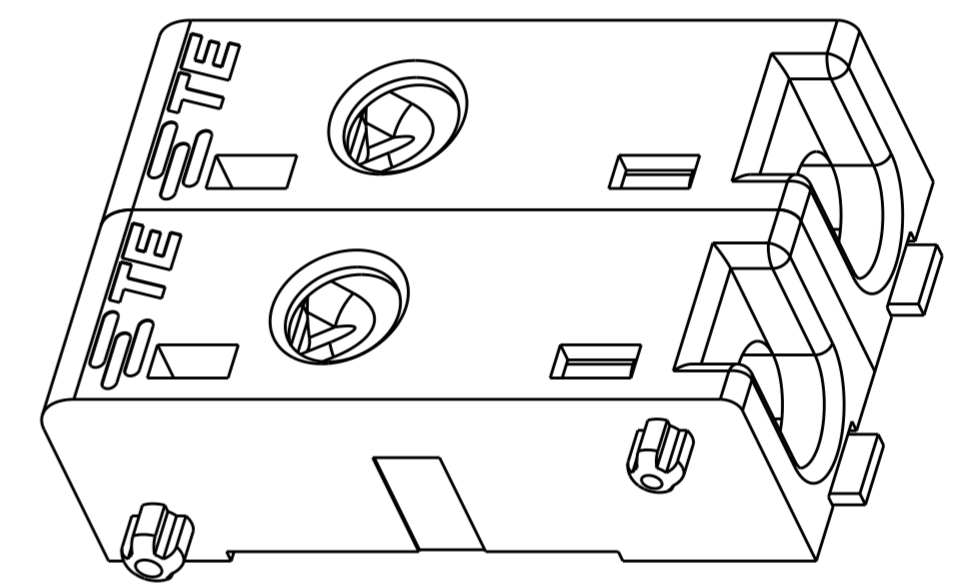
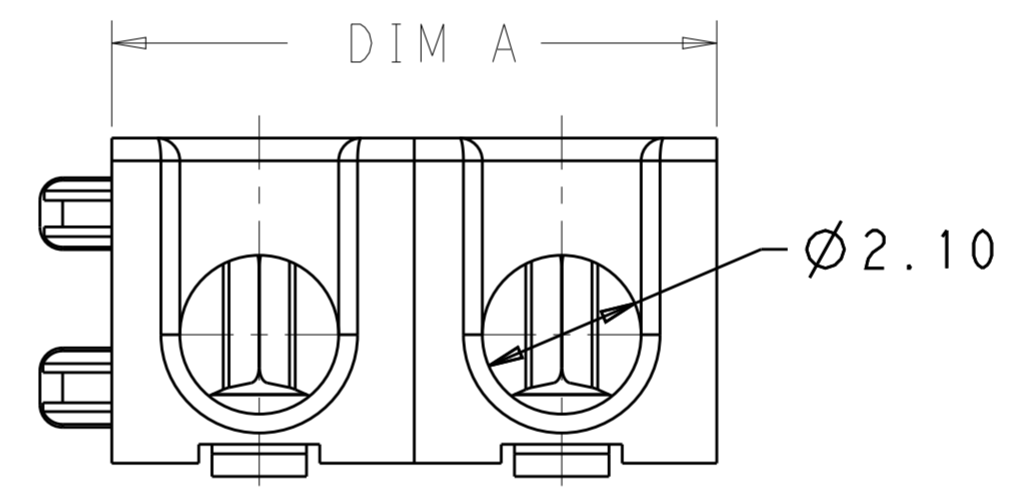
REVISIONS				
P	LTR	DESCRIPTION	DATE	APVD
B		ECR-15-016620, ADD PCB LAYOUT	20NOV2015	G.F S.M
B3		ECR-17-010993: UPDATE THE 3-2834006-4 DESC	28JUL2017	G.F S.M
B4		ECR-17-013140 ADD NEW PART	08SEP2017	G.F S.M
B5		ADD NEW PART: 7-2834006-1	13SEP2017	G.F S.M

NOTES :

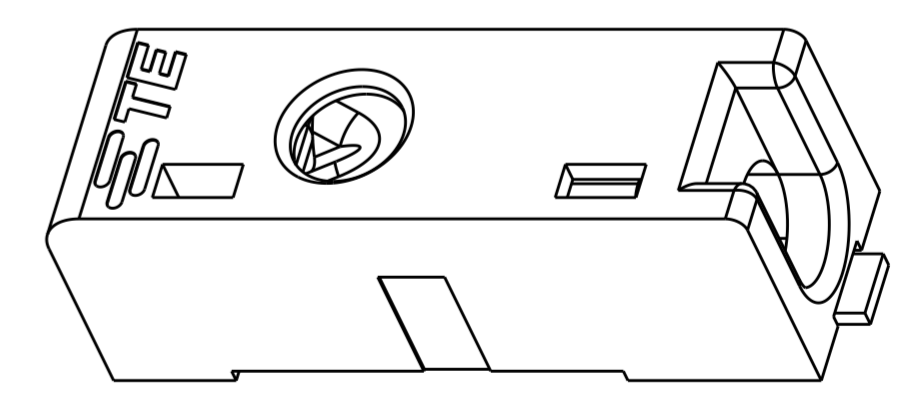
- ⚠ MATERIALS AND FINISH:
 - HOUSING: HIGH TEMPERATURE RESIN
 - CONTACTS: COPPER ALLOY, FINISH: PRE-TIN OVER NICKEL UNDERPLATE
- MUST COMPLY WITH DIRECTIVE 2002/95/EC (ROHS)
- WIRE TYPES AND SIZES ACCEPTED
 SOLID WIRE: 18AWG, 20AWG, 22AWG, 16AWG (ONLY ONE TIME INSERTING)
 STRANDED WIRE (TIN-DIPPED): 18AWG (STRANDS:16); 20AWG (STRANDS:7);
 22AWG (STRANDS:7)
 MAX INSULATION OD: 2.05mm MAX.
 STRIP LENGTH: 8.0±0.5mm
- PACKAGED IN TAPE AND REEL



SCALE 10:1



NORMAL TYPE

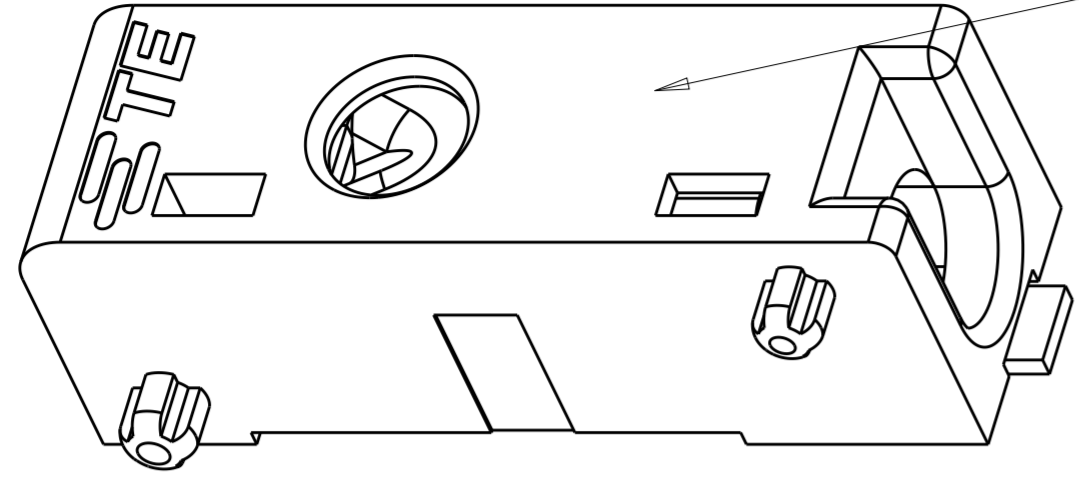


P/N: 5-2834006-1

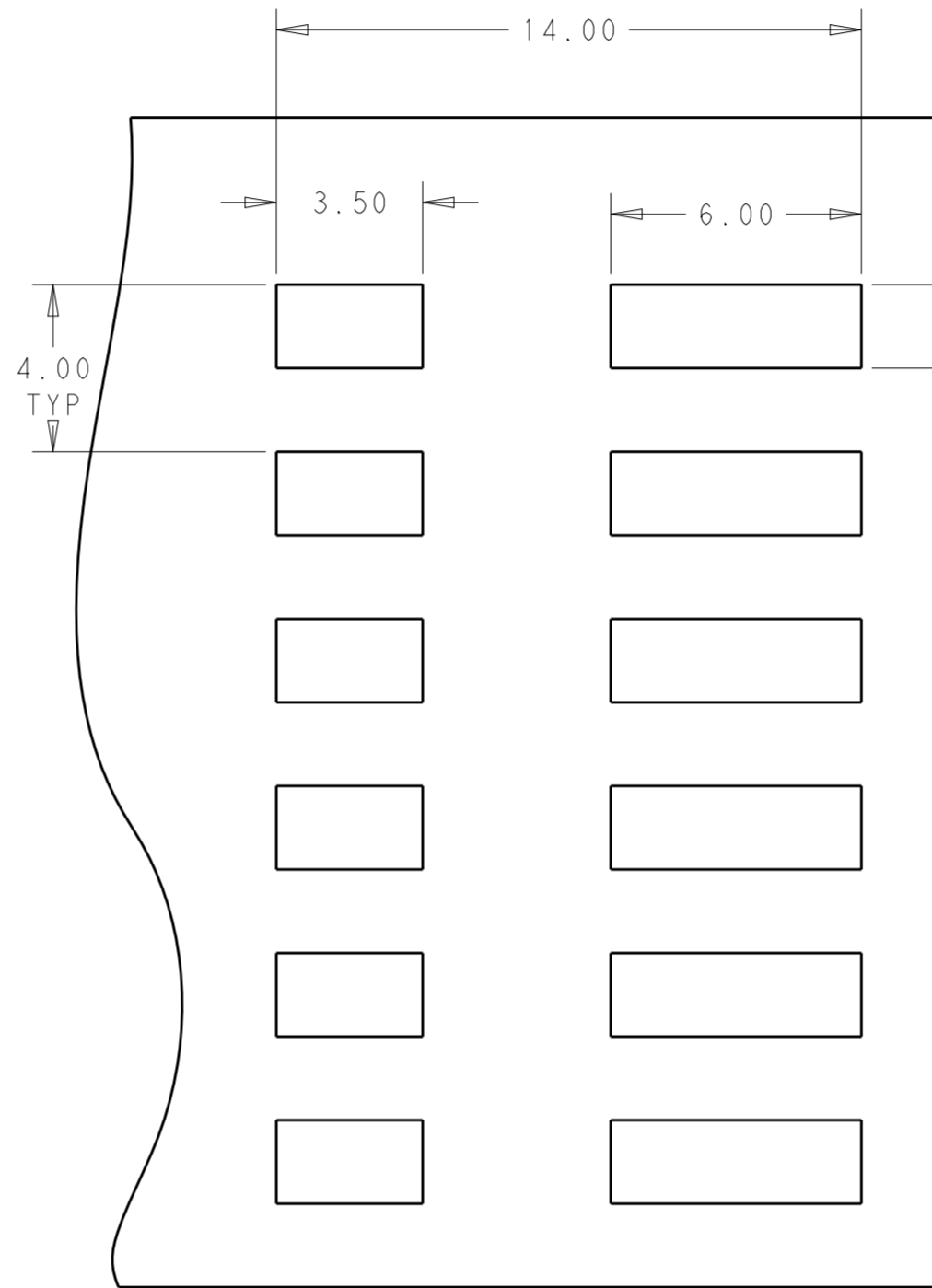
THIS DRAWING IS A CONTROLLED DOCUMENT.		DWN GEORGE FU 13SEP2017	TE Connectivity	
		CHK GEORGE FU 13SEP2017		
DIMENSIONS: mm		APVD SHI MING 13SEP2017	NAME CONNECTOR ASSEMBLY RELEASABLE POKE-IN	
TOLERANCES UNLESS OTHERWISE SPECIFIED: 0 PLC ± 1 PLC ±0.2 2 PLC ±0.13 3 PLC ± 4 PLC ± ANGLES ± FINISH -		PRODUCT SPEC 108-137055	RESTRICTED TO	
MATERIAL		APPLICATION SPEC 114-137055	SIZE A2	CAGE CODE -
		WEIGHT -	DRAWING NO G-2834006	
		CUSTOMER DRAWING	SCALE 10:1	SHEET 1 OF 4
				REV B5

THIS DRAWING IS UNPUBLISHED. RELEASED FOR PUBLICATION 20
 © COPYRIGHT 20 BY - ALL RIGHTS RESERVED.

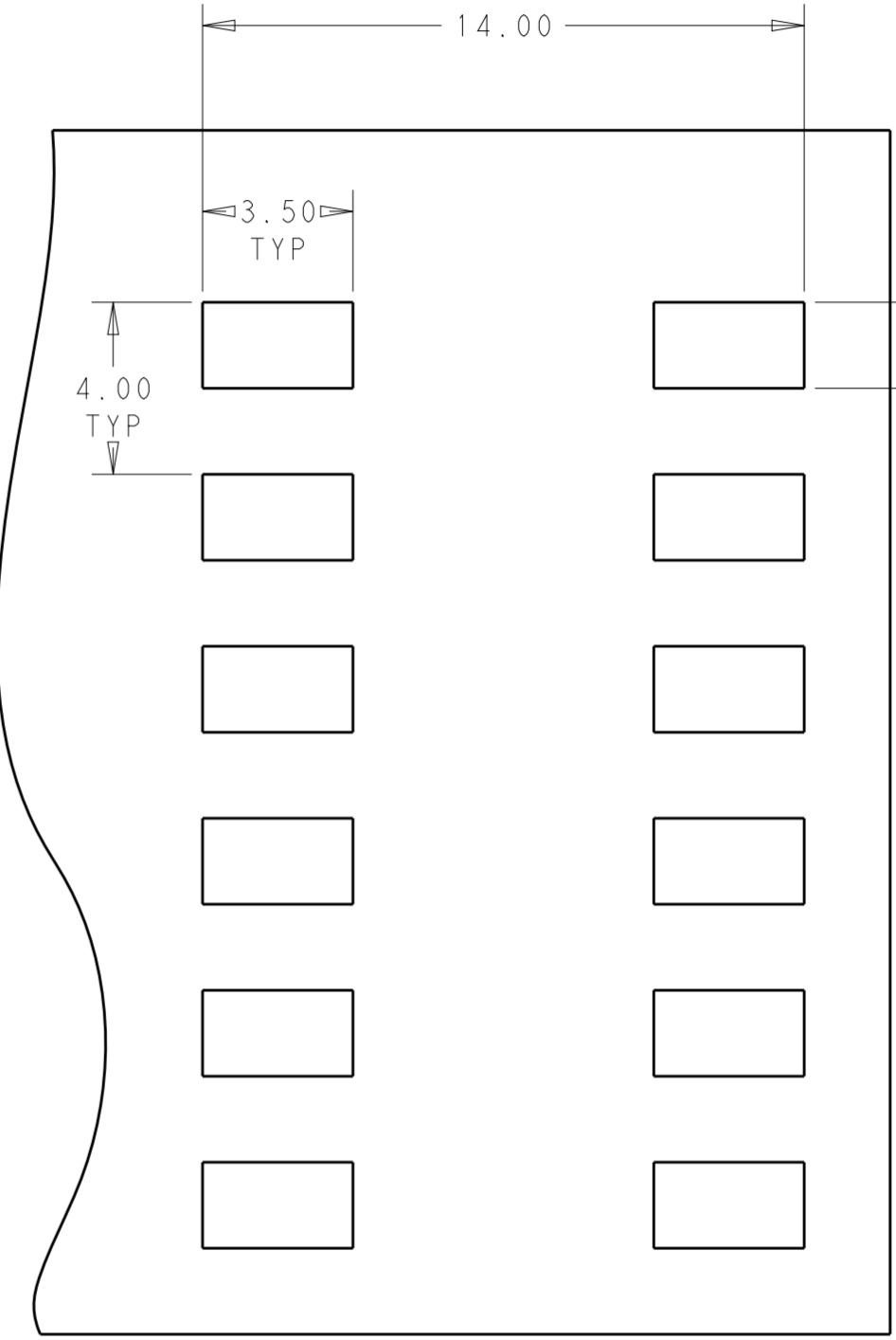
REVISIONS					
P	LTR	DESCRIPTION	DATE	DWN	APVD
-		SEE SHEET 1	-	-	-



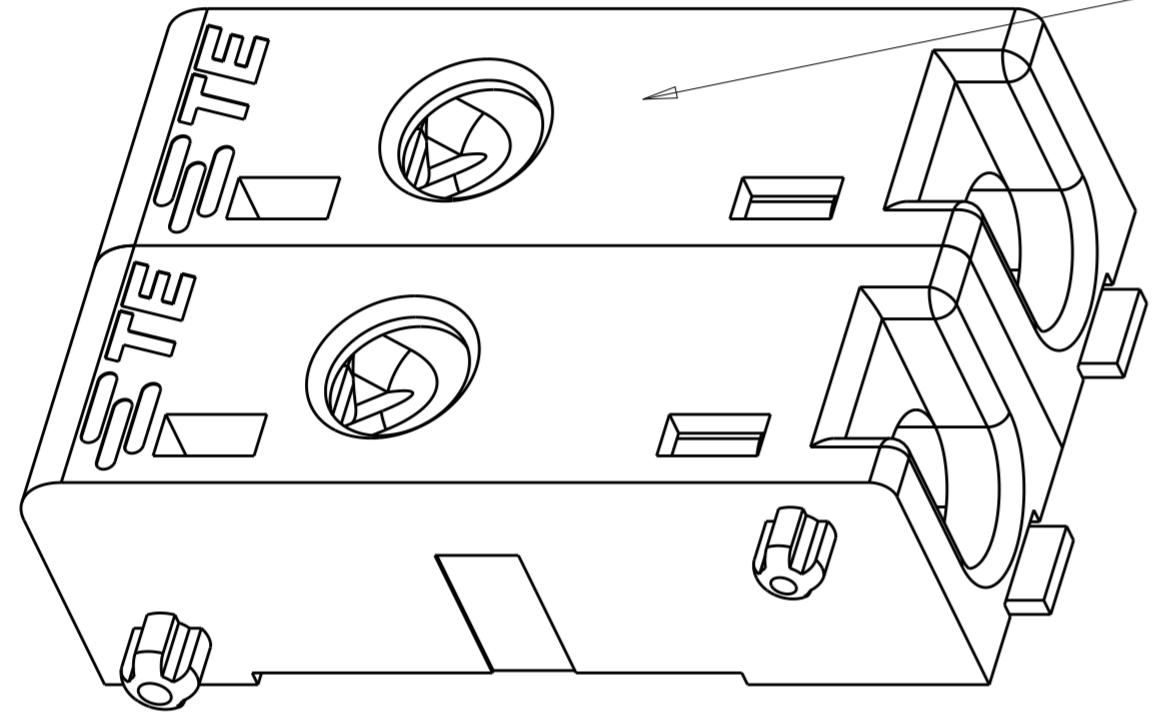
2834006-1
SCALE 10:1



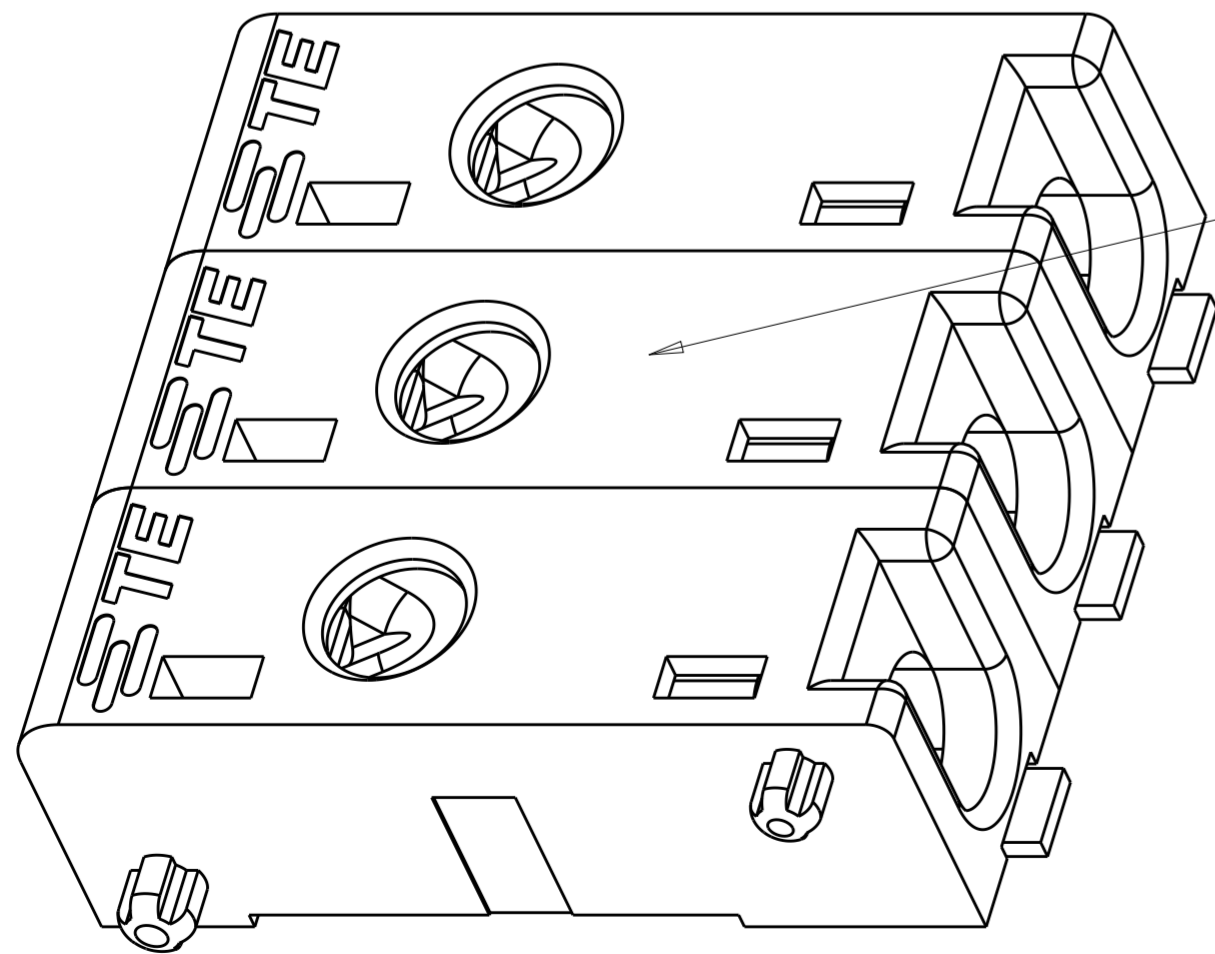
SCALE 6:1
RECOMMENDED PCB LAYOUT



SCALE 6:1
OPTIONAL PCB LAYOUT



2834006-2
SCALE 10:1



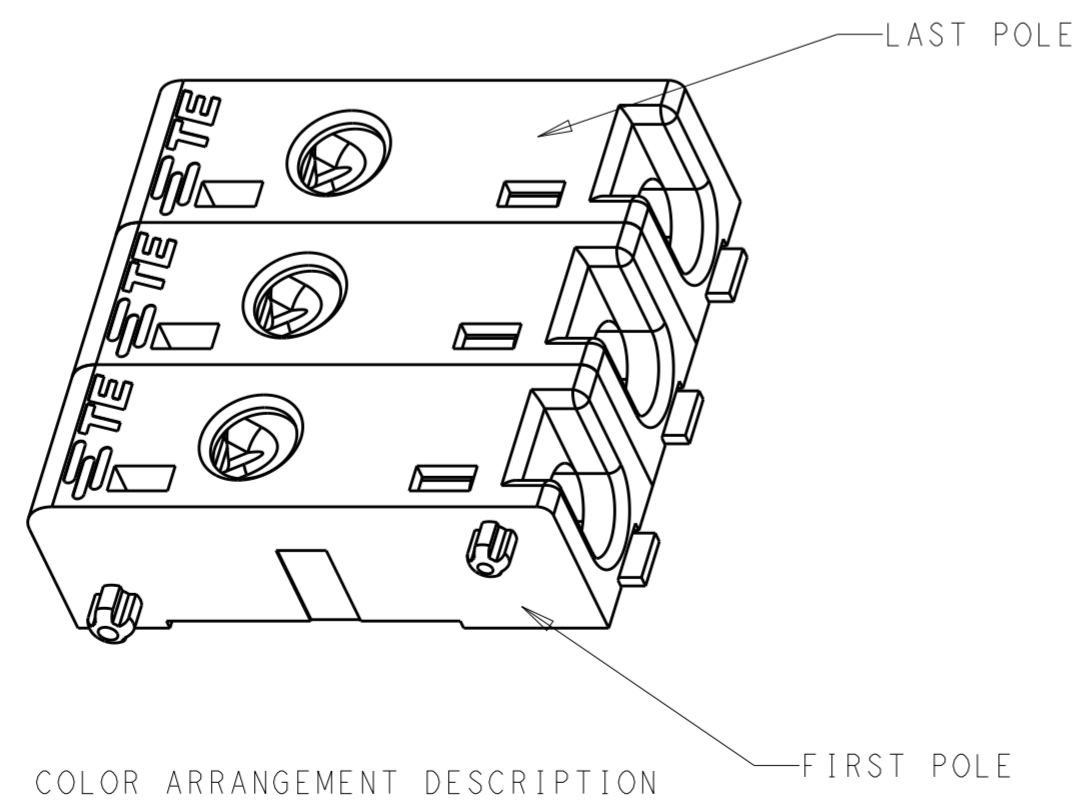
1-2834006-2
SCALE 10:1

THIS DRAWING IS A CONTROLLED DOCUMENT.		DWN GEORGE FU 13SEP2017	TE Connectivity	
DIMENSIONS: mm		CHK GEORGE FU 13SEP2017		
TOLERANCES UNLESS OTHERWISE SPECIFIED:		APVD SHI MING 13SEP2017	NAME CONNECTOR ASSEMBLY RELEASABLE POKE-IN	
0 PLC ±		PRODUCT SPEC 108-137055	SIZE A2	
1 PLC ±0.2		APPLICATION SPEC 114-137055	CAGE CODE -	
2 PLC ±0.13		WEIGHT -	DRAWING NO C-2834006	
3 PLC ±		CUSTOMER DRAWING	RESTRICTED TO	
4 PLC ±			SCALE 10:1 SHEET 2 OF 4 REV B5	
ANGLES ±				
FINISH -				
MATERIAL SEE SHEET 1				

THIS DRAWING IS UNPUBLISHED. RELEASED FOR PUBLICATION 20
 © COPYRIGHT 20 BY - ALL RIGHTS RESERVED.

REVISIONS				
P	LTR	DESCRIPTION	DATE	APVD
-		SEE SHEET 1		

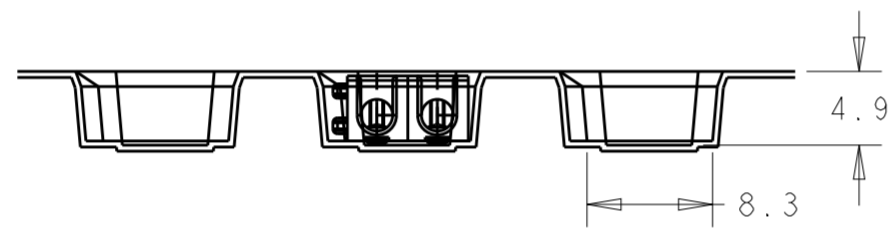
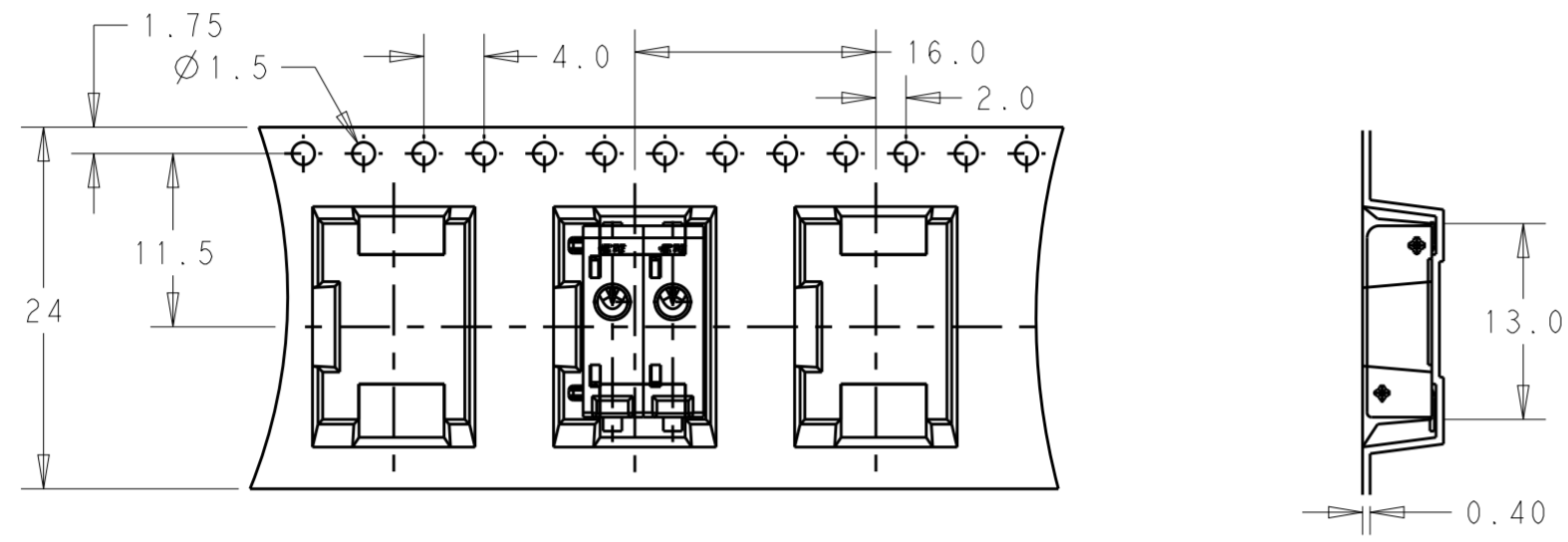
20.00	5 HSG:3 POSN	-	-	-	-	5-2834006-0	6-2834006-0	7-2834006-0	8-2834006-0	-
	COLOR	-	-	-	-	BLACK/BLACK SPACER/ RED/RED SPACER/ NATURE	NATURE/BLACK SPACER/RED/BLACK SPACER/NATURE	RED/RED SPACER /NATURE/NATURE SPACER/BLACK	NATURE/NATURE SPACER/BLACK /BLACK SPACER/RED	-
20.00	5 Position	2834006-5	2-2834006-5	3-2834006-5	4-2834006-5	5-2834006-5	6-2834006-5	7-2834006-5	8-2834006-5	9-2834006-5
	COLOR	NATURE(ALL)	BLACK(ALL)	RED(ALL)	BRIGHT WHITE (ALL)	BLACK/NATURE /BLACK/NATURE/RED	BLACK/RED/NATURE /BLACK/RED	NATURE/BLACK/RED /NATURE/RED	BLACK/NATURE/RED /BLACK/NATURE	RED/BLACK/NATURE /RED/NATURE
16.00	4 POSITION	2834006-4	2-2834006-4	3-2834006-4	4-2834006-4	5-2834006-4	6-2834006-4	7-2834006-4	8-2834006-4	9-2834006-4
	COLOR	NATURE(ALL)	BLACK(ALL)	WHITE/BLACK /RED/YELLOW	BRIGHT WHITE (ALL)	BLACK/NATURE /BLACK/NATURE	BLACK/RED /BLACK/RED	NATURE/BLACK /NATURE/RED	NATURE/RED /BLACK/NATURE	BLACK/NATURE /RED/NATURE
12.00	3 HSG; 2 POSN	1-2834006-1	1-2834006-2	1-2834006-3	1-2834006-4	1-2834006-5	1-2834006-6	1-2834006-7	1-2834006-8	1-2834006-9
	COLOR	RED(ALL)	NATURE(ALL)	BLACK(ALL)	BRIGHT WHITE (ALL)	RED/NATURE SPACER /BLACK	BLAC/RED SPACER /NATURE	NATURE/RED SPACER /BLACK	BLACK/NATURE SPACER/RED	RED/BLACK SPACER /NATURE
12.00	3 POSITION	2834006-3	2-2834006-3	3-2834006-3	4-2834006-3	5-2834006-3	6-2834006-3	7-2834006-3	8-2834006-3	9-2834006-3
	COLOR	NATURE(ALL)	BLACK(ALL)	RED(ALL)	BRIGHT WHITE (ALL)	BLACK/NATURE/RED	NATURE/RED/BLACK	RED/BLACK/NATURE	PURPLE/GRAY/PURPLE	GRAY/PURPLE/GRAY
8.00	2 POSITION	2834006-2	2-2834006-2	3-2834006-2	4-2834006-2	5-2834006-2	6-2834006-2	7-2834006-2	8-2834006-2	9-2834006-2
	COLOR	NATURE(ALL)	BLACK(ALL)	RED(ALL)	BRIGHT WHITE (ALL)	NATURE/RED	NATURE/BLACK	RED/BLACK	BLACK/NATURE	BLACK/RED
8.00	2 POSITION	1-2834006-0	2-2834006-0	3-2834006-0	-	-	-	-	-	-
	COLOR	GRAY/BLUE	BROWN/YELLOW	NATURE(ALL) (PEG CUT)	-	-	-	-	-	-
4.00	1 POSITION	2834006-1	2-2834006-1	3-2834006-1	4-2834006-1	5-2834006-1	6-2834006-1	7-2834006-1	-	-
	COLOR	NATURE	BLACK	RED	BRIGHT WHITE	NATURE/PEG CUT	BLUE	GREEN	-	-
DIM A	POSITION No	PART No								



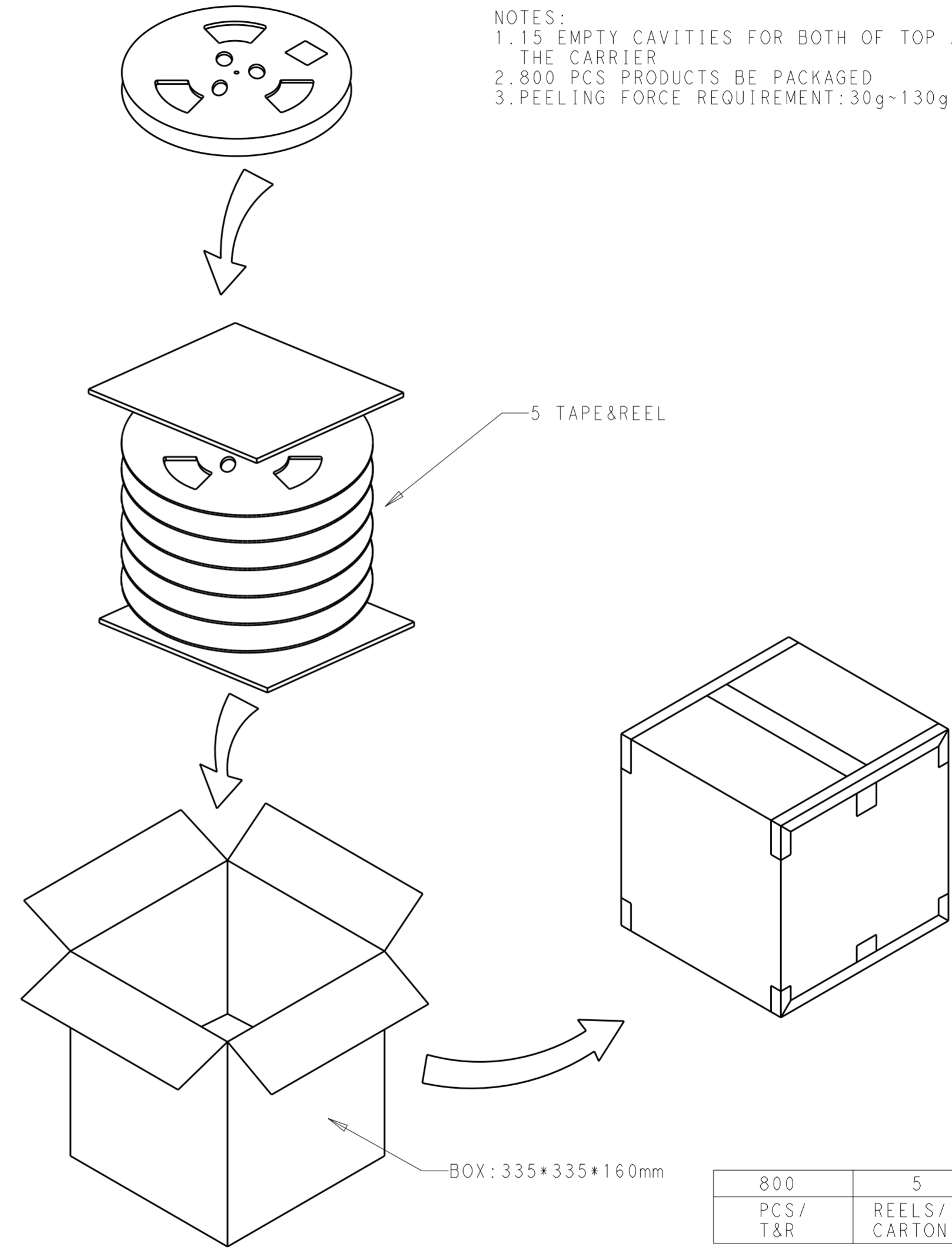
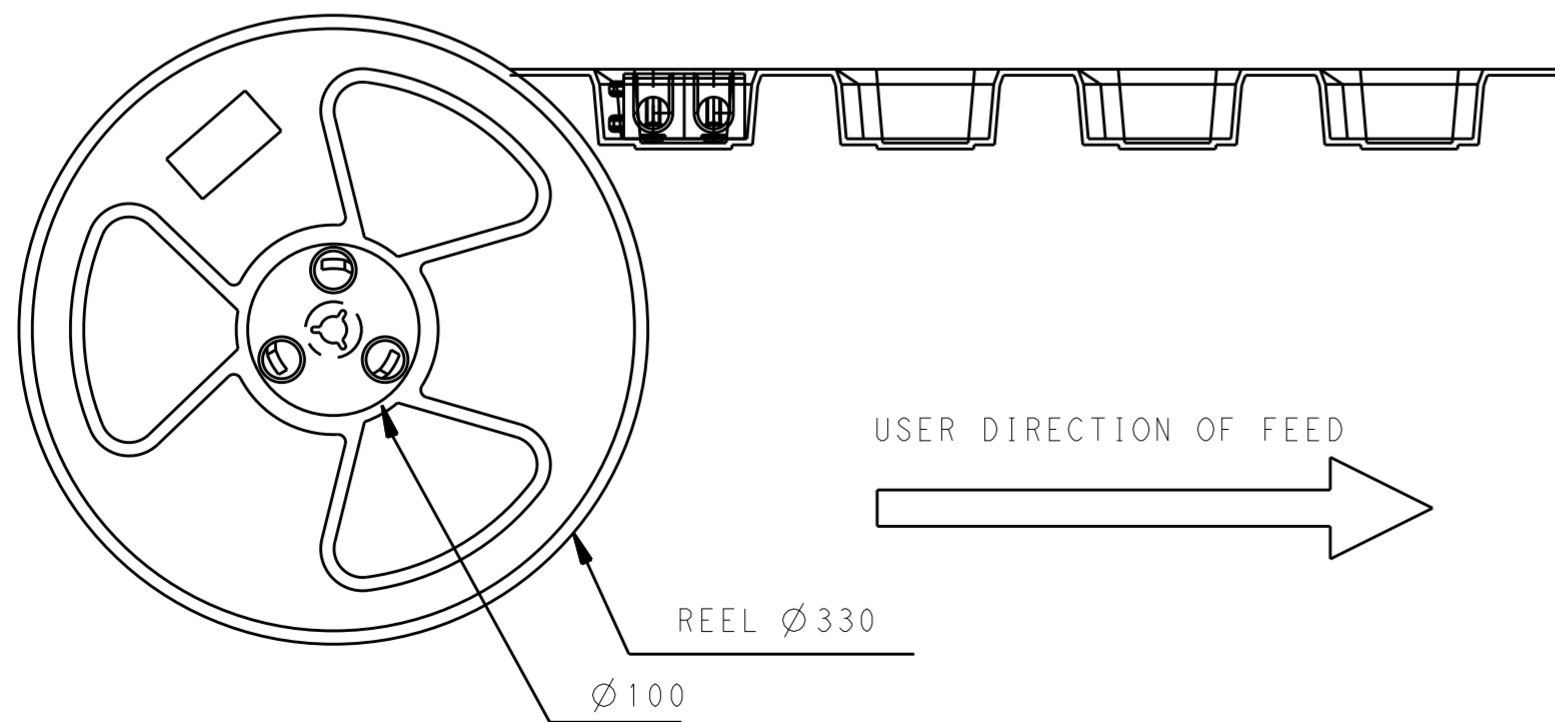
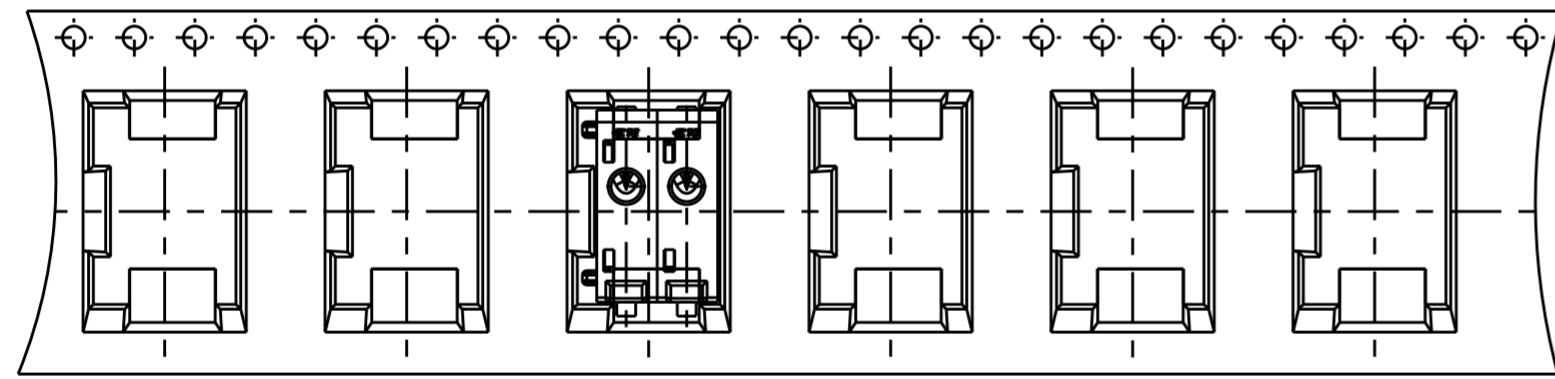
THIS DRAWING IS A CONTROLLED DOCUMENT.		DWN GEORGE FU 13SEP2017	TE Connectivity	
		CHK GEORGE FU 13SEP2017		
		APVD SHI MING 13SEP2017	NAME CONNECTOR ASSEMBLY RELEASABLE POKE-IN	
DIMENSIONS: mm 		TOLERANCES UNLESS OTHERWISE SPECIFIED: 0 PLC ± 1 PLC ±0.2 2 PLC ±0.13 3 PLC ± 4 PLC ± ANGLES ± FINISH -		PRODUCT SPEC 108-137055 APPLICATION SPEC 114-137055 WEIGHT -
MATERIAL 		SIZE A2 CAGE CODE - DRAWING NO C-2834006 RESTRICTED TO		
CUSTOMER DRAWING		SCALE 10:1		SHEET 3 OF 4 REV B5

THIS DRAWING IS UNPUBLISHED. RELEASED FOR PUBLICATION 20
 © COPYRIGHT 20 BY - ALL RIGHTS RESERVED.

REVISIONS				
P	LTR	DESCRIPTION	DATE	APVD



MATERIALS:
 1. CARRIER--CLEAR PS
 2. REEL--PS
 3. COVER TAPE--PE



NOTES:
 1. 15 EMPTY CAVITIES FOR BOTH OF TOP AND BOTTOM OF THE CARRIER
 2. 800 PCS PRODUCTS BE PACKAGED
 3. PEELING FORCE REQUIREMENT: 30g~130g

800	5	4000
PCS/ T&R	REELS/ CARTON	QUANTITY (PCS)

THIS DRAWING IS A CONTROLLED DOCUMENT.

DIMENSIONS:	TOLERANCES UNLESS OTHERWISE SPECIFIED:	DWN	13SEP2017
mm	0 PLC ±	GEORGE FU	13SEP2017
	1 PLC ±0.2	CHK	13SEP2017
	2 PLC ±0.13	GEORGE FU	13SEP2017
	3 PLC ±	APVD	13SEP2017
	4 PLC ±	SHI MING	13SEP2017
MATERIAL	ANGLES ±	PRODUCT SPEC	108-137055
	FINISH ±	APPLICATION SPEC	114-137055
		WEIGHT	-
		CUSTOMER DRAWING	

TE Connectivity
 NAME: CONNECTOR ASSEMBLY RELEASABLE POKE-IN
 SIZE: A2 CAGE CODE: - DRAWING NO: C-2834006
 SCALE: 10:1 SHEET: 4 OF 4 REV: B5