

DETAILS

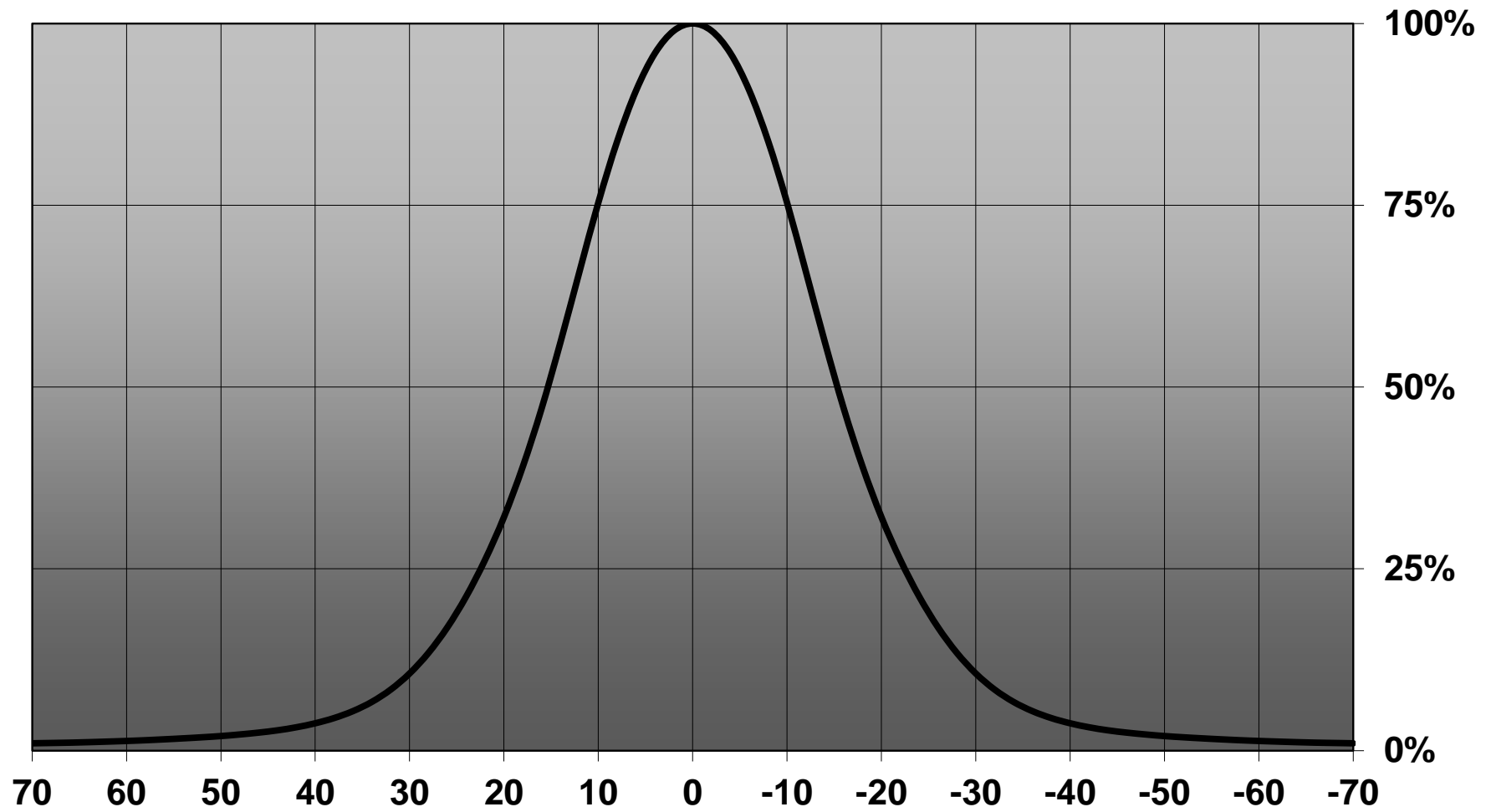
Product Number	C11544_SATU-W
Family	Satu
Type	Lens array
Color	clear
Diameter	21,8 mm
Height	8,9 mm
Style	round
Optic Material	PMMA
Holder Material	
Fastening	pin, glue
Status	production ready
ROHS Compliant	Yes
Date Updated	2/04/2013



OPTICAL PROPERTIES

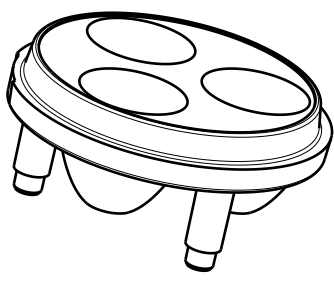
LED	Viewing Angle	Light Beam	Efficiency	cd/lm	Connector
LUXEON Rebel	32 deg	Wide	90 %	-	-
Oslon SSL 150	30 deg	Wide	83 %	2.000	-

Relative intensity of C11544_Satu-W-OSL150

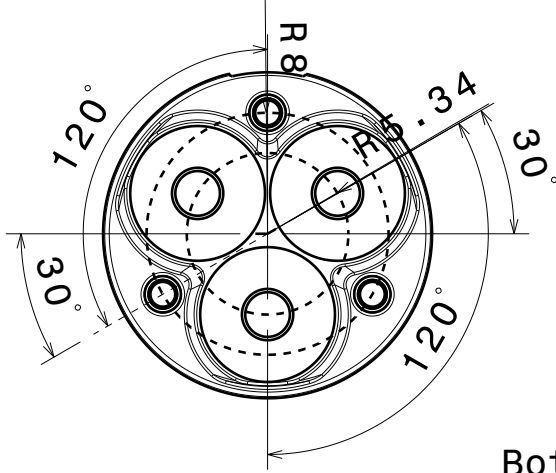


D C B A

4

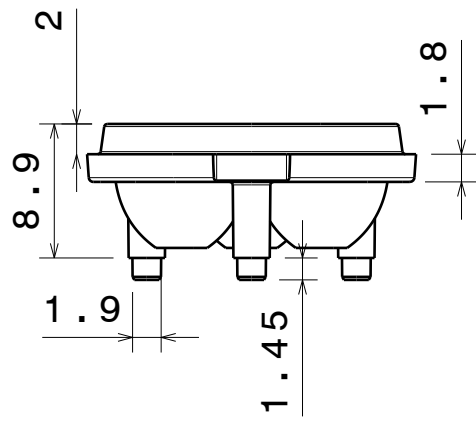


Isometric view



Bottom view

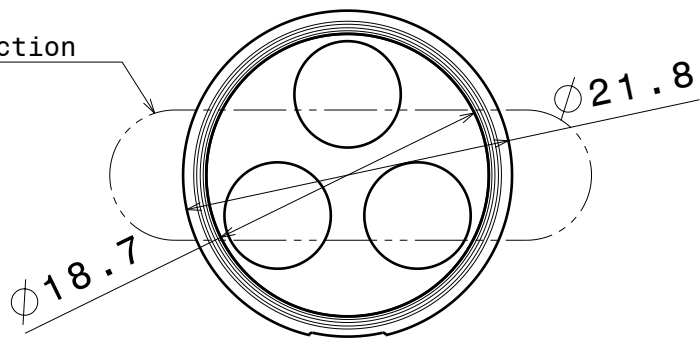
3



Front view

2

Oval beam direction



Top view

Material: PMMA

This drawing is our property. It can't be reproduced or communicated without our written agreement.



DRAWING TITLE

Datasheet Satu Lens

DRAWN BY o	DATE 31.05.2010
---------------	--------------------

CHECKED BY p	DATE 31.05.2010
-----------------	--------------------

SIZE A4	DRAWING NUMBER	REV 1
------------	----------------	----------

DESIGNED BY hh/ol	DATE 31.05.2010
----------------------	--------------------

SCALE 2:1	WEIGHT (g)	SHEET 1/1
--------------	------------	--------------

1

1

D

A

NOTE: The typical divergence will be changed by different color, chip size and chip position tolerance. The typical total divergence is the full angle measured where the luminous intensity is half of the peak value.