

Data sheet

Commercial Art.No.: X6.052.6053.1

Device connector RST20i5SXS1 M00V SW

RST20i5 device connector M20 with ATEX-authorization, 5 pole, male, screw connection, modular, application 250/400V with PE, 20A, coding color black, color of housing black



Commercial Art.No.	X6.052.6053.1
EAN	4015573990142
Order Unit	1

Certificates / Approvals

SEV-Ex

Technical data

Classification

ECLASS 11	
ECLASS 8.1	27440602
ETIM 7.0	EC002566
ETIM 6.0	EC002566
ETIM 5.0	EC002566
ETIM 4.0	EC002566

General

Rated current	20 A
Rated voltage	250 V / 400 V
Pollution degree	3
Rated impulse voltage	4 kV
Lockable	self-locking (unlocking by tool)
Color of coding/ contact carrier	black
Marking of poles	1, 2, 3, N, PE
Color of separate adapter (if present)	black
Explosion-tested version	yes

Model

Model	male
Connection type	screw connection
Connecting thread metric	M20
Angle of plug	straight
Degree of protection (IP)	IP66/68 (3m;2h) /IP69
Thickness of housings (electrical device) 2	0.5 mm

Thickness of housings (electrical device)	8 mm
---	------

Material

Housing material	Polyamide
halogen free	yes
Contact material	CuZn
Fire load	0.205 kWh
Insulation components continuous temperature	100 °C
Surface finish	Silver-plated

Connection Data

Connection cross section solid mm ² max.	2.5 mm ²
Connection cross section solid mm ² min.	1.5 mm ²
Connection cross section fine stranded mm ² max.	2.5 mm ²
Connection cross section fine stranded mm ² min.	1.5 mm ²
Terminations per pole	1
Wire strip length	8 mm

Dimensions

Length	66.2 mm
Width	34.6 mm
Height	34.6 mm

Note

Note	fine-stranded and stranded wires have to be used without ferrules; Positioning realised with flattened thread
------	--

Product compliance

ROHS conformity status	Compliant/Exempted
ROHS exceptions	III-6(c)
REACH-SVHC conformity status	Duty-To-Declare
REACH-SVHC substances	Lead
REACH-SVHC CAS numbers	7439-92-1

Accessories

Commercial Art.No.:	Article-type description:	Description:
05.565.9953.1	Cover for male connector SW	RST20i5/4 cover piece, for covering unused male connectors, color black
99.532.0000.7	Cover for male connector SW	RST20i5/4 cover piece, for covering unused male connectors, with fastening belt, color black

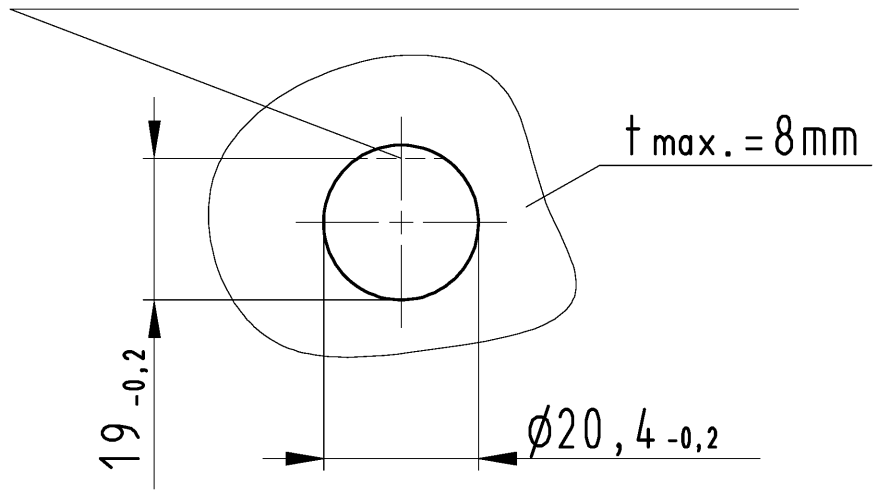
Fits with

Commercial Art.No.:	Article-type description:	Description:
X6.051.4053.1	Connector RST20i5SXB1 ZR1 SW	RST20i5 connector with ATEX-authorization, 5 pole, female, screw connection, application 250/400V with PE, 20A, for cable diameters 6-10mm, coding color black, color of housing black

X6.051.4153.1	Connector RST20I5SXB1 ZR2 SW	RST20i5 connector with ATEX-authorization, 5 pole, female, screw connection, application 250/400V with PE, 20A, for cable diameters 10-14mm, coding color black, color of housing black
X6.051.4553.1	Connector RST20I5SXB1 ZR2S SW	RST20i5 connector with ATEX-authorization, 5 pole, female, screw connection, application 250/400V with PE, 20A, for cable diameters 14-18mm, coding color black, color of housing black

M20 & M16 7°

wahlweise Verdrehsicherung
optional protection against twisting



Bitte beachten:

Gehäusematerial, Wandstärken, Lackierung und Entgratung können die Passgenauigkeit beeinflussen.

Please note:

Panel material and thickness, deburring and coating thickness may influence the cut out dimension.

These dimensions will be especially checked at delivery
Only inspection dimensions
With /E marked dimensions are only valid for internal use

Diese Maße werden bei Abnahme besonders geprüft
Ausschließlich Prüfmaße
Mit /E gekennzeichnete Maße sind nur für interne Zwecke gültig

Weitergabe sowie Vervielfältigung dieses Dokuments, Verwertung und Mitteilung seines Inhalts sind verboten, soweit nicht ausdrücklich gestattet. Die Reproduktion, Distribution und Utilization of this document as well as the communication of its contents to others without express authorization is prohibited.

Tolerierung Size ISO 14405(E)/Tolerance system Size ISO 14405(E). (This ISO-standard describes the envelope principle. According to the envelope principle the deviations of form and parallelism are limited by the size tolerances).				ja/yes <input checked="" type="checkbox"/> Stoffverbots- und Deklarationsliste nach WN 5020.010 ist einzuhalten. Conformity with Wieland document WN 5020.010 e (list of prohibited / declarable hazardous substances) to be declared!			
Freitoleranz nach General tolerance		CAD - Zeichnung, keine manuellen Änderungen CAD - drawing, no manual modifications allowed		1.Verwendung: - First Use:		Blatt: 1 von 1 Sheet: 1 of 1	
/		Werkstoff/Material		2015 Tag/Date Name		Zeichnung Nr./Drawing No.	
/				gezeichnet drawn 11.06. Dütsch T.		96.031.2053.1 14K	
/ Maßstab/Scale				geprüft checked - -			
/ 1:1				Normgepr. Stand. check - -		Maße in mm/Dimensions are in mm	
/ Vol. mm³		OfI./Surf. mm²		Ersatz für/Replacement for: -			
/		Type		Benennung/Title			
/		www.wieland-electric.com		OPENING DIMENSION OEFFNUNGSMASSBILD			
Index Datum / Blatt Date / Sheet				Geräteanschluss / device connectors M20 & M16 7°			
Änderung/Revision							