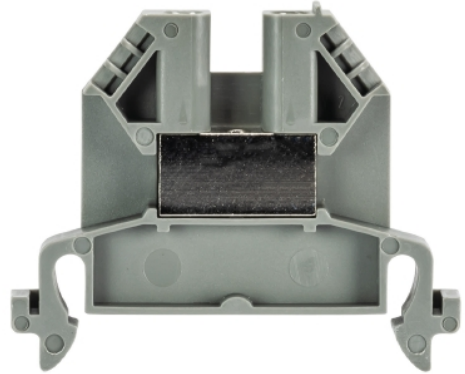


## Data sheet

Commercial Art.No.: 54.004.7553.0

Feed-through terminal 9700 A / 6 S35

Feed-through DIN rail terminal block with screw connection for mounting on TS 35, nominal cross section 4 mm<sup>2</sup>, width 6 mm, color grey



Commercial Art.No.	54.004.7553.0
EAN	4015573209121
Order Unit	100

Certificates / Approvals



## Technical data

### General

Nominal cross section	4 mm <sup>2</sup>
Color	Grey
Number of levels	1
Number of clamp positions per level	2
Width/grid dimension	6 mm
Insulating housing	PA66
Inflammability class of insulation material acc. with UL94	V2
Explosion-tested version "Ex e"	No
Mounting method	DIN rail (top hat rail) 35/7.5 mm
Terminal blocks for electrical installations	yes

### Technical data

Rated current	32 A
Rated voltage	800 V
Rated impulse voltage	8 kV
Pollution degree	3
Closing plate required	yes
Type of insulation material	Thermoplastic
Length	46.6 mm

### Connection Data

Connection type 1	screw connection
Connection type 2	screw connection
Minimum cross section solid	0.5 mm <sup>2</sup>

Maximum cross section solid	6 mm <sup>2</sup>
Minimum cross section fine stranded	0.5 mm <sup>2</sup>
Maximum cross section fine stranded	4 mm <sup>2</sup>
Wire strip length	9 mm
Torque conductor mounting	0.5 Nm

#### Technical Data UL/CSA

Cross section UL	18-10 AWG
Voltage UL	600 V
Current factory wiring	30 A
Current field wiring	30 A
Cross section CSA	22-10 AWG
Voltage CSA	600 V
Current CSA	35 A

#### Classification

ECLASS 11	
ECLASS 8.1	27141120
ETIM 7.0	EC000897
ETIM 6.0	EC000897
ETIM 5.0	EC000897
ETIM 4.0	EC000897
ETIM 3.0	EC000897

#### Product compliance

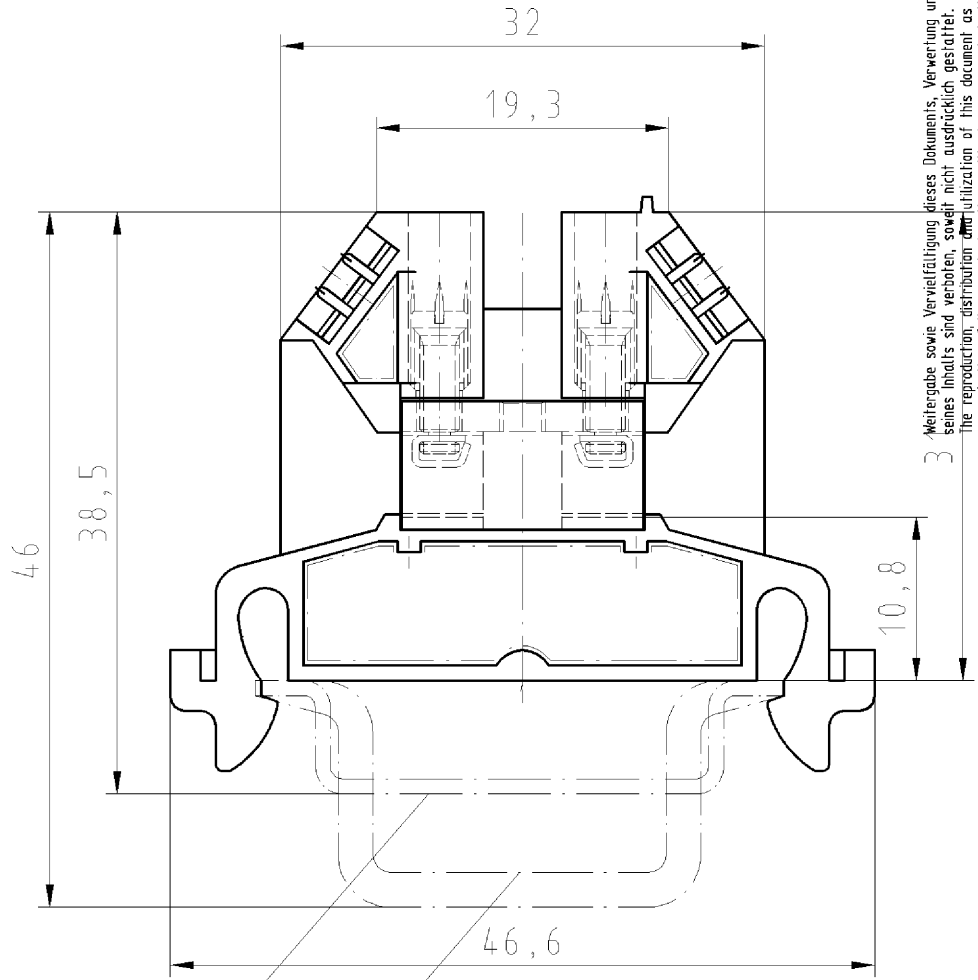
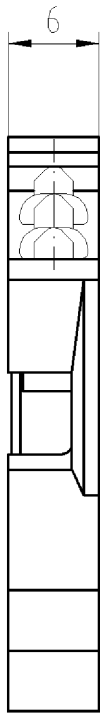
ROHS conformity status	Compliant/Exempted
ROHS exceptions	III-6(c)
REACH-SVHC conformity status	Duty-To-Declare
REACH-SVHC substances	Lead
REACH-SVHC CAS numbers	7439-92-1

#### Accessories

Commercial Art.No.:	Article-type description:	Description:
Z7.211.0227.0	Jumper bar 9703 / 6- 2	Cross connector for DIN rail terminal blocks type 9700 A ..., 2 -pole
Z7.211.0327.0	Jumper bar 9703 / 6- 3	Cross connector for DIN rail terminal blocks type 9700 A ..., 3 -pole
Z7.211.0427.0	Jumper bar 9703 / 6- 4	Cross connector for DIN rail terminal blocks type 9700 A ..., 4 -pole
Z7.211.0627.0	Jumper bar 9703 / 6- 6	Cross connector for DIN rail terminal blocks type 9700 A ..., 6 -pole
98.300.0000.0	Mounting rail TS 35x7,5 UNPERF - l:2000mm	Mounting rail TS 35, unslotted, size 7,5 mm, length 2 m, material steel. galv. zinc-plated and dichromated
98.300.1000.0	Mounting rail TS 35x7,5 PERF 15mm - l:2000mm	Mounting rail TS 35, slotted, size 7,5 mm, length 2 m, material steel. galv. zinc-plated and dichromated
98.300.1900.0	Mounting rail TS 35x7,5 PERF 25mm - l:2000mm	Mounting rail TS 35, slotted, size 7,5 mm, length 2 m, material steel. galv. zinc-plated and dichromated
98.360.0000.0	Mounting rail TS 35x15-2,3 UNPERF - l:2000mm	Mounting rail TS 35, unslotted, size 15 mm, length 2 m, material steel. galv. zinc-plated and dichromated
98.360.0004.0	Mounting rail TS 35x15-2,3 UNPERF FZN - l:2000mm	Mounting rail TS 35, unslotted, size 15 mm, length 2 m, material steel, hot galvanized
98.370.0000.0	Mounting rail TS 35x15 UNPERF - l:2000mm	Mounting rail TS 35, unslotted, size 15 mm, length 2 m, material steel. galv. zinc-plated and dichromated



98.370.1000.0	Mounting rail TS 35x15 PERF 15mm - l:2000mm	Mounting rail TS 35, slotted, size 15 mm, length 2 m, material steel. galv. zinc-plated and dichromated
98.380.0000.0	Mounting rail TS 35x15-2,3 UNPERF CU - l:2000mm	Mounting rail TS 35, unslotted, size 15 mm, length 2 m, material E copper
07.310.3153.0	End plate 9701 / 6	End plate for DIN rail terminal blocks type 9700 A / 6..., color: grey
07.310.3153.6	End plate 9701 / 6 BLAU	End plate for DIN rail terminal blocks type 9700 A / 6..., color: blue
07.310.3453.0	Partition 9702 / 6	Partition for DIN rail terminal blocks type 9700 A / 6..., color: grey
07.310.3453.6	Partition 9702 / 6 BLAU	Partition for DIN rail terminal blocks type 9700 A / 6..., color: blue
98.300.1800.0	Mounting rail TS 35x7,5 PERF 18mm - l:2000mm	Mounting rail TS 35, slotted, size 7,5 mm, length 2 m, material steel. galv. zinc-plated and dichromated



Hutschiene EN 60715-35x7,5  
mounting rail EN 60715-35x7,5

Hutschiene EN 60715-35x15  
mounting rail EN 60715-35x15

Weitere Daten siehe Katalog  
further data see catalog

Teilenummer part-number	Farbe colour
54.004.7553.0	grau/grey
54.004.7553.1	schwarz/black
54.004.7553.5	rot/red
54.004.7553.6	blau/blue
54.004.7553.7	grün/green
54.004.7553.8	gelb/yellow
54.004.7553.9	orange

3 Weitergabe sowie Vervielfältigung dieses Dokuments, Verwertung und Mitteilung seines Inhalts sind verboten, soweit nicht ausdrücklich gestattet.  
The reproduction, distribution and utilization of this document as well as the communication of its contents to others without express authorization is prohibited.

Diese Maße werden bei Abnahme besonders geprüft  
Ausschließlich Prüfmaße  
Mit /E gekennzeichnete Maße sind nur für interne Zwecke gültig

Freitoleranz nach DIN		CAD - Zeichnung, keine manuellen Änderungen			1. Verwendung: -		Bl.: 1 von 1		
	/	Maßstab <b>2:1</b>	Werkstoff und Oberfläche:	2004	Tag	Name	T	Zeichnung Nr. <b>54.004.7553.0 01K</b>	Index
	/			Entworfen	20.09.	Schmitt J.			
	/			Geprüft	-	-			
	/			Normgepr.	-	-	Ersatz für: -		
Buchstabe	Datum / Blatt	 <b>wieland</b> Elektrische Verbindungen		Benennung		<b>DURCHGANGSKLEMME</b> mit Schraubanschluss / with screw connection Modular terminal			
Änderung				9700A/ 6 S35					

540047553001K\_4 CADW028 Schmitt 2004-09-27T10:20:38 1.000