

Data sheet

Commercial Art.No.: 41.052.3053.1

Connector RST08i5 S S1 ZR1 H SW

RST08i5 Connector, straight, number of poles 5, male, connection type screw connection, rated voltage 250 V / 400 V, rated current 8 A, cable diameter 5 - 10.6 mm, color of coding/ contact carrier black



Commercial Art.No.	41.052.3053.1
EAN	4049088556333
Order Unit	1

Technical data

General

Rated current	8 A
Rated voltage	250 V / 400 V
Rated impulse voltage	2.5 kV
strain relief	yes
Pollution degree	3
Mechanical coding	yes
Lockable	self-locking (unlocking by hand)
Color of coding/ contact carrier	black
Marking of poles	1, 2/N, 3, 4, PE
Color of housing inclusive strain relief	black

Connection Data

Cable diameter max.	10.6 mm
Cable diameter min.	5 mm
Connection cross section solid mm ² max.	1 mm ²
Connection cross section solid mm ² min.	0.2 mm ²
Connection cross section fine stranded mm ² max.	1 mm ²
Connection cross section fine stranded mm ² min.	0.22 mm ²
Terminations per pole	1
sheath strip length	22 mm
Wire strip length	6 mm

Technical Data UL

Connection cross section solid AWG min.	24 AWG
Connection cross section solid AWG max.	16 AWG
Connection cross section stranded AWG min.	24 AWG

Model

Model	male
Connection type	screw connection
Degree of protection (IP)	IP66/68 (3m;2h) /IP69

Material

Housing material	Polyamide
Halogen free	yes
Contact material	CuZn
Fire load	0 kWh
Insulation components continuous temperature	100 °C
Surface finish	Silver-plated

Dimensions

Length	55 mm
Width	20 mm
Height	20 mm

Note

Note	RST® terminals with screw clamping allow the connection of conductors without special preparation (without ferrules) according to EN 60999-1.
------	---

Classification

ECLASS 11	
ECLASS 8.1	27440605
ETIM 7.0	EC002560
ETIM 6.0	EC002560
ETIM 5.0	EC002560
ETIM 4.0	EC002560

Product compliance

ROHS conformity status	Compliant
REACH-SVHC conformity status	Compliant

A
Weitergabe sowie Vervielfältigung dieses Dokuments, Verwertung und Mitteilung seines Inhalts sind verboten, soweit nicht ausdrücklich gestattet. The reproduction, distribution and utilization of this document as well as the communication of its contents to others without express authorization is prohibited.

B
These dimensions will be especially checked at delivery
Only inspection dimensions
With /E marked dimensions are only valid for internal use

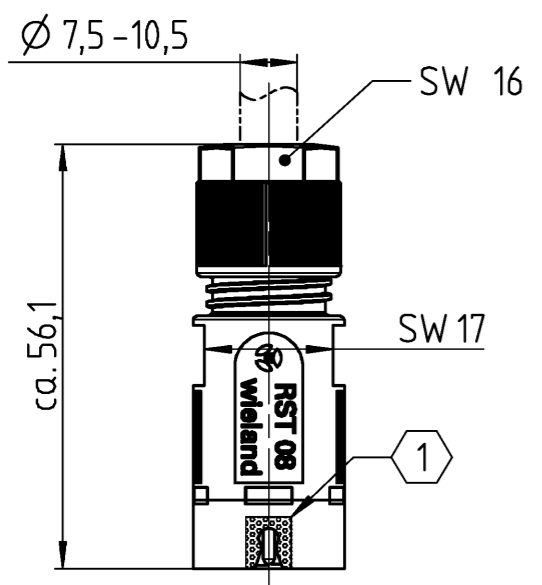
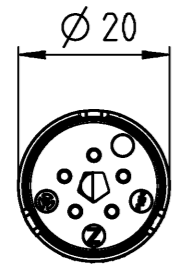
D
Diese Maße werden bei Abnahme besonders geprüft
Ausschließlich Prüfmaße
Mit /E gekennzeichnete Maße sind nur für interne Zwecke gültig

F

a Hinweis / note

gezeichnete Ausführung 41.052.3053.1
/drawn version 41.052.3053.1

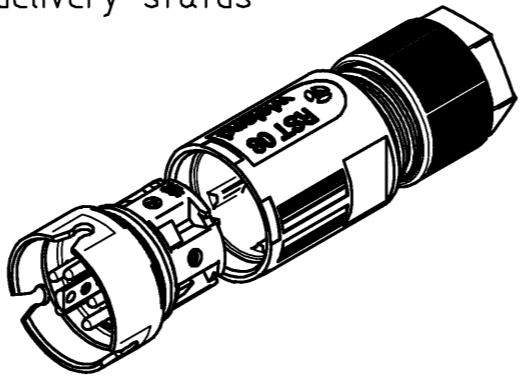
1 Bereich bedruckt für Kodierungsfarbe
/area printed for coding colour



Weitere Daten siehe KATALOG oder eKatalog www.wieland-electric.com
additional data see CATALOG or eCATALOG eshop.wieland-electric.com

Teilenummer /part number	längsdicht /longitudinal sealing	Typ / type	Kodierungsfarbe /color of coding	Kodierung /coding	Polkennzeichnung /pole marking
41.052.3053.1	nein / no	RST08i5 S S1 ZR1 H SW	tiefschwarz, RAL 9005 /jet black, RAL 9005		
4L.052.3053.1	ja / yes	RST08i5 S 21 ZR1 H SW			
41.052.3043.9	nein / no	RST08i5 S S1 ZR1SH BL	lichtblau, RAL 5012 /light blue, RAL5012		
4L.052.3043.9	ja / yes	RST08i5 S 21 ZR1SH BL			
41.052.3041.4	nein / no	RST08i5 S S1 ZR1SHL SG	schiefergrau, RAL 7015 /slate grey, RAL 7015		
4L.052.3041.4	ja / yes	RST08i5 S 21 ZR1SHL SG			
41.052.3051.8	nein / no	RST08i5 S S1 ZR1SHL KG	kieselgrau, RAL 7032 /pebble grey, RAL 7032		
4L.052.3051.8	ja / yes	RST08i5 S 21 ZR1SHL KG			

Auslieferungszustand
/delivery status



Tolerierung Size ISO 14405 © / Tolerance system Size ISO 14405 ©.
(This ISO-standard describes the envelope principle. According to the envelope principle the deviations of form and parallelism are limited by the size tolerances).

ja/yes Stoffverbots- und Deklarationsliste nach WN 5020.010 ist einzuhalten.
Conformity with Wieland document WN 5020.010 e (list of prohibited / declarable hazardous substances) to be declared!

Freitoleranz nach General tolerance: DIN ISO 2768 - m

CAD - Zeichnung, keine manuellen Änderungen
CAD - drawing, no manual modifications allowed

1 Verwendung: First Use:

Blatt: 1 von 1
Sheet: 1 of 1

Werkstoff / Material: Tag/Date: 07.02.2020 Name: Hollet

Maßstab / Scale: 1:1

Elektronische Freigabe
Electronic Release

Zeichnung Nr. / Drawing No. T 41.052.3053.1 13K a

Maße in mm / Dimensions are in mm

Vol. mm³ Dfl./Srf. mm² Ersatz für / Replacement for:

Index: a Datum / Blatt Date / Sheet: 29.04.2022 /

Änderung / Revision

wieland RST08i5

Benennung/Title: STECKERTEIL_FA
male connector