

Data sheet

Commercial Art.No.: 70.800.1856.0

Female insert BAS BUCK 18 50 PC

Female insert revos basic, 18-poles, polycarbonate insert, rated current: 16A, rated voltage: 500V, with gold-plated or silver-plated contacts



Commercial Art.No.	70.800.1856.0
EAN	4015573861916
Order Unit	5

Certificates / Approvals



Technical data

General

Inflammability class of insulation material acc. with UL94	V0
Color	Grey
Pollution degree	3
Modular version	No
Alternative size	10H
Operating temperature range min.	-40 °C
Operating temperature range max.	120 °C

Connection Data

Connection type	Crimp
Number of poles	18
Plus switching contacts	0
Number of pole for rated current 2	0
Number of pole for rated current 3	0
Total number of poles (without ground contact)	18
With wire protection	No
Protective contact	yes

Technical Data UL/CSA

Rated voltage according to UL/CSA	600 V
Rated current according CSA	16 A
Min. conductor cross section flexible wire	0.5 mm ²
Max. conductor cross section flexible wire	4 mm ²
Conductor cross section flexible AWG wire	20-12 AWG

Model

With housing	No
--------------	----

Contacts

Contact material	Copper alloy
Surface	silver and/or gold plated
Contact resistance	≤ 1.5 mOhm
Wire strip length	7 mm

Screws head design/recomm. Torque

Mounting screws	H1/0.5-0.7 Nm
Ground conductor screws	H2/1.2-1.6 Nm

Technical Data DIN EN 61984

Nominal voltage	500 V
Rated voltage face/ground	500 V
Nominal current	16 A
Rated impulse voltage	6 kV

Classification

ECLASS 11	
ECLASS 8.1	27440205
ETIM 7.0	EC000438
ETIM 6.0	EC000438
ETIM 5.0	EC000438
ETIM 4.0	EC000438

Product compliance

REACH-SVHC conformity status	Compliant
------------------------------	-----------

Fits with

Commercial Art.No.:	Article-type description:	Description:
70.810.1856.0	Male insert BAS STCK 18 50 PC	Male insert revos basic, 18-poles, polycarbonate insert, rated current: 16A, rated voltage: 500V, with gold-plated or silver-plated contacts
71.350.1035.0	Hood BAS GOT GG 10 M20 A0	Hood revos basic made of aluminum, for single locking lever with cable gland M20 on the right side (IP54), low version, 10-poles
71.350.1035.1	Hood BAS GOT GG 10 M20 A1	Hood revos basic made of aluminum, for single locking lever with threaded hole M20 on the right side, low version, 10-poles
71.350.1035.2	Hood BAS GOT GG 10 M20 A2	Hood revos basic made of aluminum, for single locking lever with nozzleM20 on the right side, low version, 10-poles
71.350.1035.3	Hood BAS GOT GG 10 M20 A3	Hood revos basic made of aluminum, for single locking lever with trumpet gland M20 on the right side (IP54), low version, 10-poles
71.352.1035.0	Hood BAS GOT GI 10 M20 A0	Hood revos basic made of aluminum, for single locking lever with cable gland M20 on the top (IP54), low version, 10-poles
71.352.1035.1	Hood BAS GOT GI 10 M20 A1	Hood revos basic made of aluminum, for single locking lever with threaded hole M20 on the top, low version, 10-poles
71.352.1035.2	Hood BAS GOT GI 10 M20 A2	Hood revos basic made of aluminum, for single locking lever with nozzleM20 on the top, low version, 10-poles

71.352.1035.3	Hood BAS GOT GI 10 M20 A3	Hood revos basic made of aluminum, for single locking lever with trumpet gland M20 on the top (IP54), low version, 10-poles
71.353.1035.0	Hood BAS GOT GG 10 M25 A0	Hood revos basic made of aluminum, for single locking lever with cable gland M25 on the right side (IP54), low version, 10-poles
71.353.1035.1	Hood BAS GOT GG 10 M25 A1	Hood revos basic made of aluminum, for single locking lever with threaded hole M25 on the right side, low version, 10-poles
71.353.1035.3	Hood BAS GOT GG 10 M25 A3	Hood revos basic made of aluminum, for single locking lever with trumpet gland M25 on the right side (IP54), low version, 10-poles
71.354.1035.0	Hood BAS GOT GI 10 M25 A1	Hood revos basic made of aluminum, for single locking lever with threaded hole M25 on the top, low version, 10-poles
71.354.1035.1	Hood BAS GOT GI 10 M25 A2	Hood revos basic made of aluminum, for single locking lever with nozzleM25 on the top, low version, 10-poles
71.354.1035.3	Hood BAS GOT GI 10 M25 A5	Hood revos basic made of aluminum, for single locking lever with cable gland M25 on the top (IP65), low version, 10-poles
71.372.1035.0	Hood BAS GOT GL 10 M20 A0	Hood revos basic made of aluminum, with single locking lever and cable gland M20 on the top - free cable connection (IP54), low version, 10-poles
71.372.1035.1	Hood BAS GOT GL 10 M20 A1	Hood revos basic made of aluminum, with single locking lever and threaded hole M20 on the top - free cable connection, low version, 10-poles
71.372.1035.3	Hood BAS GOT GL 10 M20 A3	Hood revos basic made of aluminum, with single locking lever and trumpet gland M20 on the top - free cable connection (IP54), low version, 10-poles
71.450.1037.1	Hood BAS GOM GG10 M20 B1	Hood revos basic metal-series without coating, for single locking lever with threaded hole M20 on the right side, low version, 10-poles
71.452.1037.1	Hood BAS GOM GI10 M20 B1	Hood revos basic metal-series without coating, for single locking lever with threaded hole M20 on the top, low version, 10-poles
76.350.1035.0	Hood BAS GOT GG 10HM25 50 A0	Hood revos basic made of aluminum, for single locking lever with cable gland M25 on the right side (IP54), low version, 10-poles
76.350.1035.1	Hood BAS GOT GG 10HM25 50 A1	Hood revos basic made of aluminum, for single locking lever with threaded hole M25 on the right side, low version, 10-poles
76.351.1035.0	Hood BAS GOT GH 10H M20 A0	Hood revos basic made of aluminum, for single locking lever with cable gland M20 on the front (IP54), low version, 10-poles
76.351.1035.1	Hood BAS GOT GH 10H M20 A1	Hood revos basic made of aluminum, for single locking lever with threaded hole M20 on the front, low version, 10-poles
76.351.1035.3	Hood BAS GOT GH 10H M20 A3	Hood revos basic made of aluminum, for single locking lever with trumpet gland M20 on the front (IP54), low version, 10-poles
76.352.1035.0	Hood BAS GOT GI 10HM25 50 A0	Hood revos basic made of aluminum, for single locking lever with cable gland M25 on the top (IP54), low version, 10-poles
76.352.1035.1	Hood BAS GOT GI 10HM25 50 A1	Hood revos basic made of aluminum, for single locking lever with threaded hole M25 on the top, low version, 10-poles
76.353.1035.0	Hood BAS GOT GG 10HM32 50 A0	Hood revos basic made of aluminum, for single locking lever with cable gland M32 on the right side (IP54), low version, 10-poles
76.353.1035.1	Hood BAS GOT GG 10HM32 50 A1	Hood revos basic made of aluminum, for single locking lever with threaded hole M32 on the right side, low version, 10-poles
76.353.1035.2	Hood BAS GOT GG 10HM32 50 A2	Hood revos basic made of aluminum, for single locking lever with nozzleM32 on the right side, low version, 10-poles
76.354.1035.0	Hood BAS GOT GI 10HM32 50 A0	Hood revos basic made of aluminum, for single locking lever with cable gland M32 on the top (IP54), low version, 10-poles
76.354.1035.1	Hood BAS GOT GI 10HM32 50 A1	Hood revos basic made of aluminum, for single locking lever with threaded hole M32 on the top, low version, 10-poles
76.354.1035.2	Hood BAS GOT GI 10HM32 50 A2	Hood revos basic made of aluminum, for single locking lever with nozzleM32 on the top, low version, 10-poles
71.320.1028.0	Bottom BAS GUT GK 10 A	Bottom-base revos basic made of aluminum, with single locking lever, open, low version, 10-poles

71.325.1028.0	Bottom BAS GUT GP 10 A	Bottom-base revos basic made of aluminum, with single locking lever, open, low version, 10-poles
71.330.1035.0	Bottom BAS GUT GL 10 M20 A0	Bottom-base revos basic made of aluminum, with single locking lever and cable gland M20 on the right and left side (IP54), low version, 10-polig
71.330.1035.1	Bottom BAS GUT GL 10 M20 A1	Bottom-base revos basic made of aluminum, with single locking lever and threaded hole M20 on the right and left side, low version, 10-polig
71.331.1035.0	Bottom BAS GUT GM 10 M20 A0	Bottom-base revos basic made of aluminum, with single locking lever and cable gland M20 on the left side (IP54), low version, 10-polig
71.331.1035.1	Bottom BAS GUT GM 10 M20 A1	Bottom-base revos basic made of aluminum, with single locking lever and threaded hole M20 on the left side, low version, 10-polig
71.333.1035.0	Bottom BAS GUT GO 10 M20 A0	Bottom-base revos basic made of aluminum, with single locking lever and cable gland M20 on the bottom (IP54), low version, 10-polig
71.333.1035.1	Bottom BAS GUT GO 10 M20 A1	Bottom-base revos basic made of aluminum, with single locking lever and threaded hole M20 on the bottom, low version, 10-polig
71.335.1035.0	Bottom BAS GUT GM 10 M25 A0	Bottom-base revos basic made of aluminum, with single locking lever and cable gland M25 on the left side (IP54), low version, 10-polig
71.335.1035.1	Bottom BAS GUT GM 10 M25 A1	Bottom-base revos basic made of aluminum, with single locking lever and threaded hole M25 on the left side, low version, 10-polig
71.340.1035.0	Bottom BAS GUT GR 10 M20 A0	Bottom-base revos basic made of aluminum, with single locking lever and cable gland M20 on the right and the left side, with protective cover (IP54), low version, 10-polig
71.340.1035.1	Bottom BAS GUT GR 10 M20 A1	Bottom-base revos basic made of aluminum, with single locking lever and threaded hole M20 on the right and the left side, with protective cover, low version, 10-polig
71.341.1035.0	Bottom BAS GUT GS 10 M20 A0	Bottom-base revos basic made of aluminum, with single locking lever and cable gland M20 on the left side, with protective cover (IP54), low version, 10-polig
71.341.1035.1	Bottom BAS GUT GS 10 M20 A1	Bottom-base revos basic made of aluminum, with single locking lever and threaded hole M20 on the left side, with protective cover, low version, 10-polig
71.342.1035.0	Bottom BAS GUT GT 10 M20 A0	Bottom-base revos basic made of aluminum, with single locking lever and cable gland M20 on the right side, with protective cover (IP54), low version, 10-polig
71.342.1035.1	Bottom BAS GUT GT 10 M20 A1	Bottom-base revos basic made of aluminum, with single locking lever and threaded hole M20 on the right side, with protective cover, low version, 10-polig
71.343.1035.0	Bottom BAS GUT GU 10 M20 A0	Bottom-base revos basic made of aluminum, with single locking lever and cable gland M20 on the bottom, with protective cover (IP54), low version, 10-polig
71.343.1035.1	Bottom BAS GUT GU 10 M20 A1	Bottom-base revos basic made of aluminum, with single locking lever and threaded hole M20 on the bottom, with protective cover, low version, 10-polig
71.420.1037.0	Bottom BAS GUM GK 10 B	Bottom-base revos basic metal-series without coating, open, low version, 10-poles
71.425.1037.0	Bottom BAS GUM GP 10 B	Bottom-base revos basic metal-series without coating, with single locking lever and protective cover, low version, 10-poles
71.430.1037.1	Bottom BAS GUM GL 10 M20 B1	Bottom-base revos basic metal-series without coating, with single locking lever and threaded hole M20 on the right and left side, low version, 10-polig
71.431.1037.1	Bottom BAS GUM GM 10 M20 B1	Bottom-base revos basic metal-series without coating, with single locking lever and threaded hole M20 on the left side, low version, 10-polig
71.440.1037.1	Bottom BAS GUM GR 10 M20 B1	Bottom-base revos basic metal-series without coating, with single locking lever and threaded hole M20 on the right and the left side, with protective cover, low version, 10-polig

71.441.1037.1	Bottom BAS GUM GS 10 M20 B1	Bottom-base revos basic metal-series without coating, with single locking lever and threaded hole M20 on the left side, with protective cover, low version, 10-polig
76.330.1035.0	Bottom BAS GUT GL 10HM25 50 A0	Bottom-base revos basic made of aluminum, with single locking lever and cable gland M25 on the right and left side (IP54), low version, 10-polig
76.330.1035.1	Bottom BAS GUT GL 10HM25 50 A1	Bottom-base revos basic made of aluminum, with single locking lever and threaded hole M25 on the right and left side, low version, 10-polig
76.331.1035.0	Bottom BAS GUT GM 10HM25 50 A0	Bottom-base revos basic made of aluminum, with single locking lever and cable gland M25 on the left side (IP54), low version, 10-polig
76.331.1035.1	Bottom BAS GUT GM 10HM25 50 A1	Bottom-base revos basic made of aluminum, with single locking lever and threaded hole M25 on the left side, low version, 10-polig
76.334.1035.0	Bottom BAS GUT GL 10HM32 50 A0	Bottom-base revos basic made of aluminum, with single locking lever and cable gland M32 on the right and left side (IP54), low version, 10-polig
76.334.1035.1	Bottom BAS GUT GL 10HM32 50 A1	Bottom-base revos basic made of aluminum, with single locking lever and threaded hole M32 on the right and left side, low version, 10-polig
76.335.1035.1	Bottom BAS GUT GM 10HM32 50 A1	Bottom-base revos basic made of aluminum, with single locking lever and threaded hole M32 on the left side, low version, 10-polig
76.340.1035.0	Bottom BAS GUT GR 10HM25 50 A0	Bottom-base revos basic made of aluminum, with single locking lever and cable gland M25 on the right and the left side, with protective cover (IP54), low version, 10-polig
76.340.1035.1	Bottom BAS GUT GR 10HM25 50 A1	Bottom-base revos basic made of aluminum, with single locking lever and threaded hole M25 on the right and the left side, with protective cover, low version, 10-polig
76.341.1035.0	Bottom BAS GUT GS 10HM25 50 A0	Bottom-base revos basic made of aluminum, with single locking lever and cable gland M25 on the left side, with protective cover (IP54), low version, 10-polig
76.341.1035.1	Bottom BAS GUT GS 10HM25 50 A1	Bottom-base revos basic made of aluminum, with single locking lever and threaded hole M25 on the left side, with protective cover, low version, 10-polig
76.342.1035.0	Bottom BAS GUT GT 10HM25 50 A0	Bottom-base revos basic made of aluminum, with single locking lever and cable gland M25 on the right side, with protective cover (IP54), low version, 10-polig
76.342.1035.1	Bottom BAS GUT GM 10HM25 50 A1	Bottom-base revos basic made of aluminum, with single locking lever and threaded hole M25 on the left side, low version, 10-polig
76.344.1035.0	Bottom BAS GUT GR 10HM32 50 A0	Bottom-base revos basic made of aluminum, with single locking lever and cable gland M32 on the right and the left side, with protective cover (IP54), low version, 10-polig
76.344.1035.1	Bottom BAS GUT GR 10HM32 50 A1	Bottom-base revos basic made of aluminum, with single locking lever and threaded hole M32 on the right and the left side, with protective cover, low version, 10-polig
76.345.1035.1	Bottom BAS GUT GS 10HM32 50 A1	Bottom-base revos basic made of aluminum, with single locking lever and threaded hole M32 on the left side, with protective cover, low version, 10-polig
76.346.1035.1	Bottom BAS GUT GT 10HM32 50 A1	Bottom-base revos basic made of aluminum, with single locking lever and threaded hole M32 on the right side, with protective cover, low version, 10-polig
70.350.1035.0	Hood BAS GOT GA 10 M20 A0	Hood revos basic made of aluminum, for double locking lever or screw cap with cable gland M20 on the right side (IP54), low version, 10-poles
70.350.1035.1	Hood BAS GOT GA 10 M20 A1	Hood revos basic made of aluminum, for double locking lever or screw cap with threaded hole M20 on the right side, low version, 10-poles
70.350.1035.2	Hood BAS GOT GA 10 M20 A2	Hood revos basic made of aluminum, for double locking lever or screw cap with nozzle M20 on the right side, low version, 10-poles

70.350.1035.3	Hood BAS GOT GA 10 M20 A3	Hood revos basic made of aluminum, for double locking lever or. screw cap with trumpet gland M20 on the right side (IP54), low version, 10-poles
70.352.1035.0	Hood BAS GOT GC 10 M20 A0	Hood revos basic made of aluminum, for double locking lever or. screw cap with cable gland M20 on the top (IP54), low version, 10-poles
70.352.1035.1	Hood BAS GOT GC 10 M20 A1	Hood revos basic made of aluminum, for double locking lever or. screw cap with threaded hole M20 on the top, low version, 10-poles
70.352.1035.2	Hood BAS GOT GC 10 M20 A2	Hood revos basic made of aluminum, for double locking lever or. screw cap with nozzle M20 on the top, low version, 10-poles
70.352.1035.3	Hood BAS GOT GC 10 M20 A3	Hood revos basic made of aluminum, for double locking lever or. screw cap with trumpet gland M20 on the top (IP54), low version, 10-poles
70.353.1035.0	Hood BAS GOT GA 10 M25 A0	Hood revos basic made of aluminum, for double locking lever or. screw cap with cable gland M25 on the right side (IP54), low version, 10-poles
70.353.1035.1	Hood BAS GOT GA 10 M25 A1	Hood revos basic made of aluminum, for double locking lever or. screw cap with threaded hole M25 on the right side, low version, 10-poles
70.353.1035.2	Hood BAS GOT GA 10 M25 A2	Hood revos basic made of aluminum, for double locking lever or. screw cap with nozzle M25 on the right side, low version, 10-poles
70.353.1035.3	Hood BAS GOT GA 10 M25 A3	Hood revos basic made of aluminum, for double locking lever or. screw cap with trumpet gland M25 on the right side (IP54), low version, 10-poles
70.354.1035.0	Hood BAS GOT GC 10 M25 A0	Hood revos basic made of aluminum, for double locking lever or. screw cap with cable gland M25 on the top (IP54), low version, 10-poles
70.354.1035.1	Hood BAS GOT GC 10 M25 A1	Hood revos basic made of aluminum, for double locking lever or. screw cap with threaded hole M25 on the top, low version, 10-poles
70.354.1035.2	Hood BAS GOT GC 10 M25 A2	Hood revos basic made of aluminum, for double locking lever or. screw cap with nozzle M25 on the top, low version, 10-poles
70.354.1035.3	Hood BAS GOT GC 10 M25 A3	Hood revos basic made of aluminum, for double locking lever or. screw cap with trumpet gland M25 on the top (IP54), low version, 10-poles
70.355.1035.0	Hood BAS GOT GD 10 M20 A0	Hood revos basic made of aluminum, with double locking lever and cable gland M20 on the right side (IP54), low version, 10-poles
70.355.1035.1	Hood BAS GOT GD 10 M20 A1	Hood revos basic made of aluminum, with double locking lever and threaded hole M20 on the right side, low version, 10-poles
70.355.1035.2	Hood BAS GOT GD 10 M20 A2	Hood revos basic made of aluminum, with double locking lever and nozzleM20 on the right side, low version, 10-poles
70.355.1035.3	Hood BAS GOT GD 10 M20 A3	Hood revos basic made of aluminum, with double locking lever and trumpet gland M20 on the right side (IP54), low version, 10-poles
70.357.1035.0	Hood BAS GOT GF 10 M20 A0	Hood revos basic made of aluminum, with double locking lever and cable gland M20 on the top (IP54), low version, 10-poles
70.357.1035.1	Hood BAS GOT GF 10 M20 A1	Hood revos basic made of aluminum, with double locking lever and threaded hole M20 on the top, low version, 10-poles
70.357.1035.3	Hood BAS GOT GF 10 M20 A3	Hood revos basic made of aluminum, with double locking lever and trumpet gland M20 on the top (IP54), low version, 10-poles
70.358.1035.0	Hood BAS GOT GD 10 M25 A0	Hood revos basic made of aluminum, with double locking lever and cable gland M25 on the right side (IP54), low version, 10-poles
70.358.1035.1	Hood BAS GOT GD 10 M25 A1	Hood revos basic made of aluminum, with double locking lever and threaded hole M25 on the right side, low version, 10-poles
70.358.1035.3	Hood BAS GOT GD 10 M25 A3	Hood revos basic made of aluminum, with double locking lever and trumpet gland M25 on the right side (IP54), low version, 10-poles
70.359.1035.0	Hood BAS GOT GF 10 M25 A0	Hood revos basic made of aluminum, with double locking lever and cable gland M25 on the top (IP54), low version, 10-poles

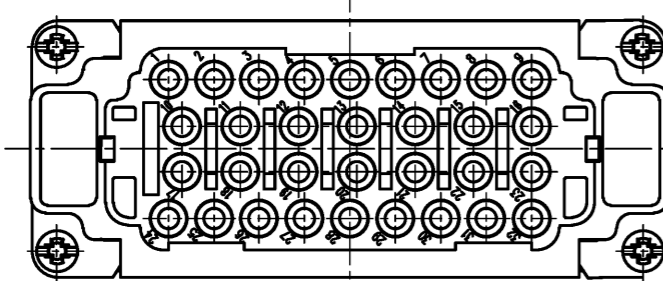
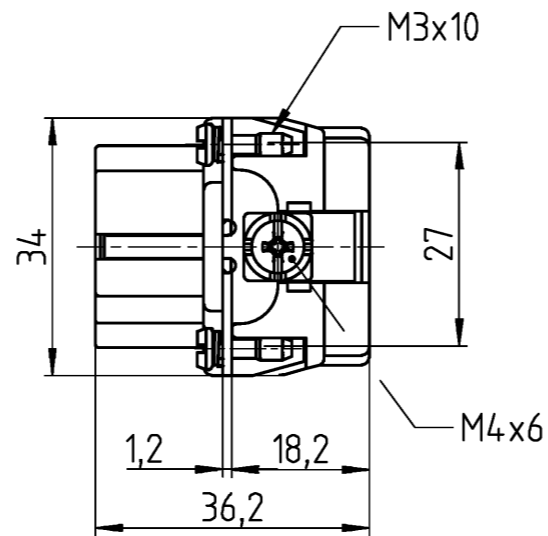
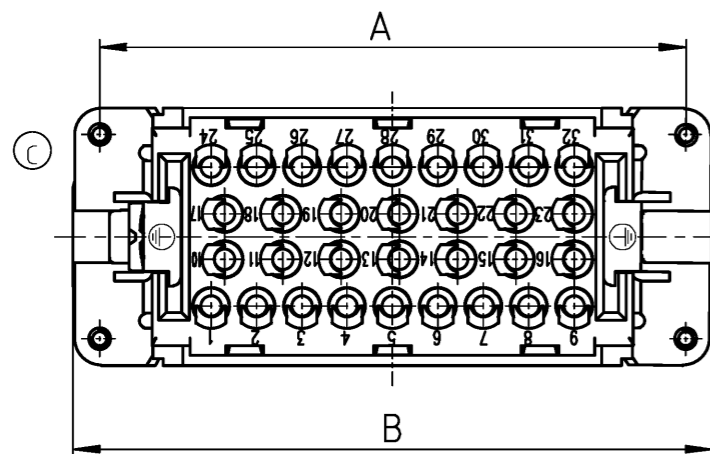
70.359.1035.1	Hood BAS GOT GF 10 M25 A1	Hood revos basic made of aluminum, with double locking lever and threaded hole M25 on the top, low version, 10-poles
70.359.1035.3	Hood BAS GOT GF 10 M25 A3	Hood revos basic made of aluminum, with double locking lever and trumpet gland M25 on the top (IP54), low version, 10-poles
70.372.1035.0	Hood BAS GOT GK 10 M20 A0	Hood revos basic made of aluminum, with double locking lever and cable gland M20 on the top - free cable connection (IP54), low version, 10-poles
70.372.1035.1	Hood BAS GOT GK 10 M20 A1	Hood revos basic made of aluminum, with double locking lever and threaded hole M20 on the top - free cable connection, low version, 10-poles
70.372.1035.3	Hood BAS GOT GK 10 M20 A3	Hood revos basic made of aluminum, with double locking lever and trumpet gland M20 on the top - free cable connection (IP54), low version, 10-poles
73.350.1035.0	Hood BAS GOT GA 10HM25 50 A0	Hood revos basic made of aluminum, for double locking lever or. screw cap with cable gland M25 on the right side (IP54), low version, 10-poles
73.350.1035.1	Hood BAS GOT GA 10HM25 50 A1	Hood revos basic made of aluminum, for double locking lever or. screw cap with threaded hole M25 on the right side, low version, 10-poles
73.350.1035.3	Hood BAS GOT GA 10 M20 A3	Hood revos basic made of aluminum, for double locking lever or. screw cap with trumpet gland M20 on the right side (IP54), low version, 10-poles
73.351.1035.0	Hood BAS GOT GB 10H M20 A0	Hood revos basic made of aluminum, for double locking lever and cable gland M20 on the front (IP54), low version, 10-poles
73.351.1035.1	Hood BAS GOT GB 10H M20 A1	Hood revos basic made of aluminum, for double locking lever and threaded hole M20 on the front, low version, 10-poles
73.352.1035.0	Hood BAS GOT GC 10HM25 50 A0	Hood revos basic made of aluminum, for double locking lever or. screw cap with cable gland M25 on the top (IP54), low version, 10-poles
73.352.1035.1	Hood BAS GOT GC 10HM25 50 A1	Hood revos basic made of aluminum, for double locking lever or. screw cap with threaded hole M25 on the top, low version, 10-poles
73.353.1035.0	Hood BAS GOT GA 10HM32 50 A0	Hood revos basic made of aluminum, for double locking lever or. screw cap with cable gland M32 on the right side (IP54), low version, 10-poles
73.353.1035.1	Hood BAS GOT GA 10HM32 50 A1	Hood revos basic made of aluminum, for double locking lever or. screw cap with threaded hole M32 on the right side, low version, 10-poles
73.353.1035.3	Hood BAS GOT GA 10HM32 50 A3	Hood revos basic made of aluminum, for double locking lever or. screw cap with trumpet gland M32 on the right side (IP54), low version, 10-poles
73.354.1035.0	Hood BAS GOT GC 10HM32 50 A0	Hood revos basic made of aluminum, for double locking lever or. screw cap with cable gland M32 on the top (IP54), low version, 10-poles
73.354.1035.1	Hood BAS GOT GC 10HM32 50 A1	Hood revos basic made of aluminum, for double locking lever or. screw cap with threaded hole M32 on the top, low version, 10-poles
70.320.1028.0	Bottom BAS GUT GA 10 A	Bottom-base revos basic made of aluminum, with double locking lever or.screw cap, low version, 10-poles
70.325.1028.0	Bottom BAS GUT GE 10 A	Bottom-base revos basic made of aluminum, for double locking lever and protective cover, open, low version, 10-poles
70.330.1035.0	Bottom BAS GUT GB 10 M20 A0	Bottom-base revos basic made of aluminum, with double locking lever or.screw cap with cable gland M20 on the right and left side (IP54), low version, 10-polig
70.330.1035.1	Bottom BAS GUT GB 10 M20 A1	Bottom-base revos basic made of aluminum, with double locking lever or.screw cap with threaded hole M20 on the right and left side, low version, 10-polig

70.331.1035.0	Bottom BAS GUT GC 10 M20 A0	Bottom-base revos basic made of aluminum, with double locking lever or.screw cap with cable gland M20 on the left side (IP54), low version, 10-polig
70.331.1035.1	Bottom BAS GUT GC 10 M20 A1	Bottom-base revos basic made of aluminum, with double locking lever or.screw cap with threaded hole M20 on the left side, low version, 10-polig
70.333.1035.0	Bottom BAS GUT GD 10 M20 A0	Bottom-base revos basic made of aluminum, with double locking lever or.screw cap with cable gland M20 on the right side (IP54), low version, 10-polig
70.333.1035.1	Bottom BAS GUT GD 10 M20 A1	Bottom-base revos basic made of aluminum, with double locking lever or.screw cap with threaded hole M20 on the right side, low version, 10-polig
70.334.1035.0	Bottom BAS GUT GB 10 M25 A0	Bottom-base revos basic made of aluminum, with double locking lever or.screw cap with cable gland M25 on the right and left side (IP54), low version, 10-polig
70.334.1035.1	Bottom BAS GUT GB 10 M25 A1	Bottom-base revos basic made of aluminum, with double locking lever or.screw cap with threaded hole M25 on the right and left side, low version, 10-polig
70.335.1035.0	Bottom BAS GUT GC 10 M25 50 A0	Bottom-base revos basic made of aluminum, with double locking lever or.screw cap with cable gland M25 on the left side (IP54), low version, 10-polig
70.335.1035.1	Bottom BAS GUT GC 10 M25 A1	Bottom-base revos basic made of aluminum, with double locking lever or.screw cap with threaded hole M25 on the left side, low version, 10-polig
70.337.1035.1	Bottom BAS GUT GD 10 M25 A1	Bottom-base revos basic made of aluminum, with double locking lever or.screw cap with threaded hole M25 on the right side, low version, 10-polig
70.340.1035.0	Bottom BAS GUT GF 10 M20 A0	Bottom-base revos basic made of aluminum, for double locking lever withcable gland M20 on the left and right side, with protective cover (IP54), low version, 10-polig
70.340.1035.1	Bottom BAS GUT GF 10 M20 A1	Bottom-base revos basic made of aluminum, for double locking lever withthreaded hole M20 on the left and right side, with protective cover, low version, 10-polig
70.341.1035.0	Bottom BAS GUT GG 10 M20 A0	Bottom-base revos basic made of aluminum, with double locking lever andcable gland M20 on the left side, with protective cover (IP54), low version, 10-polig
70.341.1035.1	Bottom BAS GUT GG 10 M20 A1	Bottom-base revos basic made of aluminum, with double locking lever andthreaded hole M20 on the left side, with protective cover, low version,10-polig
70.342.1035.0	Bottom BAS GUT GH 10 M20 A0	Bottom-base revos basic made of aluminum, with double locking lever andcable gland M20 on the right side, with protective cover (IP54), low version, 10-polig
70.342.1035.1	Bottom BAS GUT GH 10 M20 A1	Bottom-base revos basic made of aluminum, with double locking lever andthreaded hole M20 on the right side, with protective cover, low version, 10-polig
70.343.1035.0	Bottom BAS GUT GI 10 M20 A0	Bottom-base revos basic made of aluminum, with double locking lever andcable gland M20 on the bottom, with protective cover (IP54), low version, 10-polig
70.343.1035.1	Bottom BAS GUT GI 10 M20 A1	Bottom-base revos basic made of aluminum, with double locking lever andthreaded hole M20 on the bottom, with protective cover, low version, 10-polig
70.344.1035.1	Bottom BAS GUT GB 10 M25 A	Bottom-base revos basic made of aluminum, with protectiv cover and cable glands on the right and left side (IP54), low version, 10-poles
73.330.1035.0	Bottom BAS GUT GB 10HM25 50 A0	Bottom-base revos basic made of aluminum, with double locking lever or.screw cap with cable gland M25 on the right and left side (IP54), low version, 10-polig

73.330.1035.1	Bottom BAS GUT GB 10HM25 50 A1	Bottom-base revos basic made of aluminum, with double locking lever or.screw cap with threaded hole M25 on the right and left side, low version, 10-polig
73.331.1035.0	Bottom BAS GUT GC 10HM25 50 A0	Bottom-base revos basic made of aluminum, with double locking lever or.screw cap with cable gland M25 on the left side (IP54), low version, 10-polig
73.331.1035.1	Bottom BAS GUT GC 10HM25 50 A1	Bottom-base revos basic made of aluminum, with double locking lever or.screw cap with threaded hole M25 on the left side, low version, 10-polig
73.334.1035.0	Bottom BAS GUT GB 10HM32 50 A0	Bottom-base revos basic made of aluminum, with double locking lever or.screw cap with cable gland M32 on the right and left side (IP54), low version, 10-polig
73.334.1035.1	Bottom BAS GUT GB 10HM32 50 A1	Bottom-base revos basic made of aluminum, with double locking lever or.screw cap with threaded hole M32 on the right and left side, low version, 10-polig
73.335.1035.0	Bottom BAS GUT GC 10HM32 50 A0	Bottom-base revos basic made of aluminum, with double locking lever or.screw cap with cable gland M32 on the left side (IP54), low version, 10-polig
73.335.1035.1	Bottom BAS GUT GC 10HM32 50 A1	Bottom-base revos basic made of aluminum, with double locking lever or.screw cap with threaded hole M32 on the left side, low version, 10-polig
73.340.1035.0	Bottom BAS GUT GF 10HM25 50 A0	Bottom-base revos basic made of aluminum, for double locking lever withcable gland M25 on the left and right side, with protective cover (IP54), low version, 10-polig
73.340.1035.1	Bottom BAS GUT GF 10HM25 50 A1	Bottom-base revos basic made of aluminum, for double locking lever withthreaded hole M25 on the left and right side, with protective cover, low version, 10-polig
73.341.1035.1	Bottom BAS GUT GG 10HM25 50 A1	Bottom-base revos basic made of aluminum, with double locking lever andthreaded hole M25 on the left side, with protective cover, low version,10-polig
73.342.1035.1	Bottom BAS GUT GH 10HM25 50 A1	Bottom-base revos basic made of aluminum, with double locking lever andthreaded hole M25 on the right side, with protective cover, low version, 10-polig
73.344.1035.1	Bottom BAS GUT GF 10HM32 50 A1	Bottom-base revos basic made of aluminum, for double locking lever withthreaded hole M32 on the left and right side, with protective cover, low version, 10-polig
73.345.1035.0	Bottom BAS GUT GG 10HM32 50 A0	Bottom-base revos basic made of aluminum, with double locking lever andcable gland M32 on the left side, with protective cover (IP54), low version, 10-polig
73.345.1035.1	Bottom BAS GUT GG 10HM32 50 A1	Bottom-base revos basic made of aluminum, with double locking lever andthreaded hole M32 on the left side, with protective cover, low version,10-polig

Verpackung/packaging: 5 Stück im Karton/ 5 pieces in the cardboard

gezeichnet/drawn: 70.800.3256.0



Technische Daten
Technical Data

Bemessungsspannung rated voltage	500V
Bemessungsstrom rated current	16A
Bemessungsstoßspannung rated peak voltage	6kV
Verschmutzungsgrad degree of pollution	3
Isoliermaterial insulating material	Polycarbonat
Brennbarkeitsklasse flamability rating	UL 94 V-0
Temperaturbereich temperature range	-40°C - +125°C

Zubehör - Buchsenkontakte Accessories - socket contact		
Bestell-Nr.	Ømm ²	AWG
02.123.70MM.0	0,5	20 AWG
02.123.71MM.0	0,75-1	18 AWG
02.123.72MM.0	1,5	16 AWG
02.123.73MM.0	2,5	14 AWG

MM	Oberfläche surface
01	vergoldet /gold plated
02	versilbert/silver plated

Teile - Nr. part no.	Typ type	A	B	Polz. pole
70.800.1056.0	BAS BUCK 10 50 PC	44	51	10
70.800.1856.0	BAS BUCK 18 50 PC	57	64	18
70.800.3256.0	BAS BUCK 32 50 PC	77,5	84	32
70.800.4656.0	BAS BUCK 46 50 PC	104	111	46

Tolerierung Size ISO 14405 © / Tolerance system Size ISO 14405 ©. (This ISO-standard describes the envelope principle. According to the envelope principle the deviations of form and parallelism are limited by the size tolerances).		ja/yes <input checked="" type="checkbox"/> Stoffverbots- und Deklarationsliste nach WN 5020.010 ist einzuhalten. Conformity with Wieland document WN 5020.010 e (list of prohibited / declarable hazardous substances) to be declared!	
Freitoleranz nach General tolerance	CAD - Zeichnung, keine manuellen Änderungen CAD - drawing, no manual modifications allowed	1. Verwendung: First Use:	Blatt: Sheet: 1 von 1 of 1
	Werkstoff / Material Farbe: grau, ähnl. RAL7032 colour: grey, sim.to RAL7032	Tag/Date Name 01.08.2005 Duetsch T.	Zeichnung Nr. / Drawing No. Index T 70.800.1056.0 01K c
	Maßstab / Scale /	Normgepr. Stand. check	Maße in mm / Dimensions are in mm
c	19.11.2019 / Vol.	mm ³ Dfl./Srf.	mm ² Ersatz für / Replacement for:
b	01.12.2011 /		Type
a	10.11.2005 /		Benennung/Title
Index	Datum / Blatt Date / Sheet	www.wieland-electric.com	
Änderung / Revision		s.Tabelle see table	BUCHSENEINSATZ für Crimpkontakte 500V 16A female insert for crimp contacts

Weitere Daten siehe Katalog
further data see catalog

A Weitergabe sowie Vervielfältigung dieses Dokuments, Verwertung und Mitteilung seines Inhalts sind verboten, soweit nicht ausdrücklich gestattet. The reproduction, distribution and utilization of this document as well as the communication of its contents to others without express authorization is prohibited.
 B These dimensions will be especially checked at delivery
 C Only inspection dimensions
 D With /E gekennzeichnete Maße sind nur für interne Zwecke gültig.
 E Diese Maße werden bei Abnahme besonders geprüft
 Ausschließlich Prüfmäße
 F Mit /E gekennzeichnete Maße sind nur für interne Zwecke gültig.