

Data sheet

Commercial Art.No.: 56.704.9055.0

Earth terminal WKFN 4 SL/35

Ground terminal with tension spring connection for mounting on TS 35, nominal cross section: 4 mm², width: 6 mm, color: Green-yellow



Commercial Art.No.	56.704.9055.0
EAN	4015573767171
Order Unit	100

Certificates / Approvals



CAN-EX



PTB



Technical data

General

Nominal cross section	4 mm ²
Color	Green/yellow
Number of levels	1
Number of clamp positions per level	2
Width/grid dimension	6 mm
Insulating housing	PA666
Inflammability class of insulation material acc. with UL94	V0
Explosion-tested version "Ex e"	yes
Mounting method	DIN rail (top hat rail) 35/7.5 mm
Terminal blocks for electrical installations	yes

Technical data

Rated impulse voltage	8 kV
Pollution degree	3
Closing plate required	yes
Type of insulation material	Thermoplastic
Length	51 mm

Connection Data

Connection type 1	spring clamp connection
Connection type 2	spring clamp connection
Minimum cross section solid	0.13 mm ²
Maximum cross section solid	6 mm ²
Minimum cross section fine stranded	0.13 mm ²
Maximum cross section fine stranded	4 mm ²

Wire strip length	11 mm
-------------------	-------

Technical Data UL/CSA

Cross section CSA	24-10 AWG
-------------------	-----------

Classification

ECLASS 11	
ECLASS 8.1	27141141
ETIM 7.0	EC000901
ETIM 6.0	EC000901
ETIM 5.0	EC000901
ETIM 4.0	EC000901
ETIM 3.0	EC000901

Product compliance

ROHS conformity status	Compliant
REACH-SVHC conformity status	Compliant

Accessories

Commercial Art.No.:	Article-type description:	Description:
98.300.0000.0	Mounting rail TS 35x7,5 UNPERF - l:2000mm	Mounting rail TS 35, unslotted, size 7,5 mm, length 2 m, material steel. galv. zinc-plated and dichromated
98.300.1000.0	Mounting rail TS 35x7,5 PERF 15mm - l:2000mm	Mounting rail TS 35, slotted, size 7,5 mm, length 2 m, material steel. galv. zinc-plated and dichromated
98.300.1900.0	Mounting rail TS 35x7,5 PERF 25mm - l:2000mm	Mounting rail TS 35, slotted, size 7,5 mm, length 2 m, material steel. galv. zinc-plated and dichromated
98.360.0000.0	Mounting rail TS 35x15-2,3 UNPERF - l:2000mm	Mounting rail TS 35, unslotted, size 15 mm, length 2 m, material steel. galv. zinc-plated and dichromated
98.360.0004.0	Mounting rail TS 35x15-2,3 UNPERF FZN - l:2000mm	Mounting rail TS 35, unslotted, size 15 mm, length 2 m, material steel, hot galvanized
98.370.0000.0	Mounting rail TS 35x15 UNPERF - l:2000mm	Mounting rail TS 35, unslotted, size 15 mm, length 2 m, material steel. galv. zinc-plated and dichromated
98.370.1000.0	Mounting rail TS 35x15 PERF 15mm - l:2000mm	Mounting rail TS 35, slotted, size 15 mm, length 2 m, material steel. galv. zinc-plated and dichromated
98.380.0000.0	Mounting rail TS 35x15-2,3 UNPERF CU - l:2000mm	Mounting rail TS 35, unslotted, size 15 mm, length 2 m, material E copper
07.312.9255.0	End plate APFN 4/35	End plate for DIN rail terminal blocks type WKFN 4..., color: grey
07.312.9255.6	End plate APFN 4/35 BLAU	End plate for DIN rail terminal blocks type WKFN 4..., color: blue
07.312.9255.7	End plate APFN 4/35 GRUEN	End plate for DIN rail terminal blocks type WKFN 4..., color: green
07.312.9355.0	Partition TWFN 4/35	Partition for DIN rail terminal blocks type WKFN 4..., color: grey
Z7.261.1227.0	Jumper bar IVB WKF 4 - 2	Cross connector, insulated for DIN rail terminal blocks type WKF..., 2 - pole
Z7.261.1327.0	Jumper bar IVB WKF 4 - 3	Cross connector, insulated for DIN rail terminal blocks type WKF..., 3 - pole
Z7.261.1427.0	Jumper bar IVB WKF 4 - 4	Cross connector, insulated for DIN rail terminal blocks type WKF..., 4 - pole
Z7.261.1527.0	Jumper bar IVB WKF 4 - 5	Cross connector, insulated for DIN rail terminal blocks type WKF..., 5 - pole
Z7.261.1627.0	Jumper bar IVB WKF 4 - 6	Cross connector, insulated for DIN rail terminal blocks type WKF..., 6 - pole

Z7.261.1727.0	Jumper bar IVB WKF 4 - 7	Cross connector, insulated for DIN rail terminal blocks type WKF..., 7 - pole
Z7.261.1827.0	Jumper bar IVB WKF 4 - 8	Cross connector, insulated for DIN rail terminal blocks type WKF..., 8 - pole
Z7.261.1927.0	Jumper bar IVB WKF 4 - 9	Cross connector, insulated for DIN rail terminal blocks type WKF..., 9 - pole
Z7.261.2027.0	Jumper bar IVB WKF 4 - 10	Cross connector, insulated for DIN rail terminal blocks type WKF..., 10 - pole
98.300.1800.0	Mounting rail TS 35x7,5 PERF 18mm - l:2000mm	Mounting rail TS 35, slotted, size 7,5 mm, length 2 m, material steel. galv. zinc-plated and dichromated

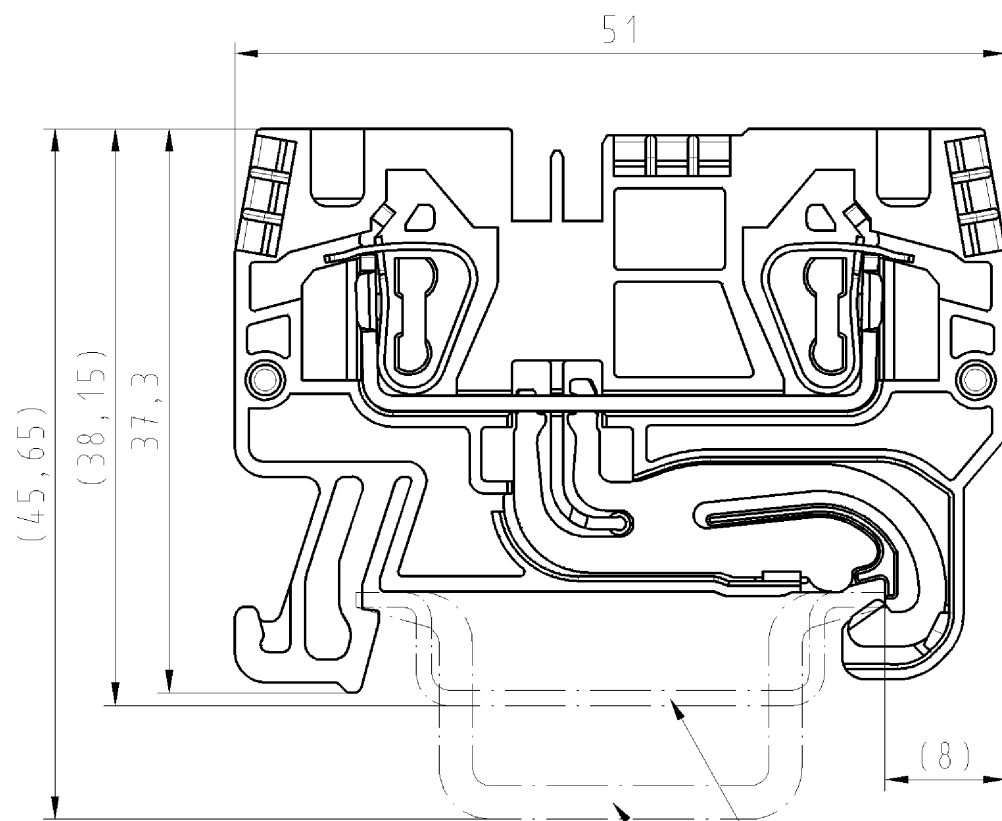


○ Diese Maße werden bei Abnahme besonders geprüft
 ○ Ausschließlich Prüfmaße



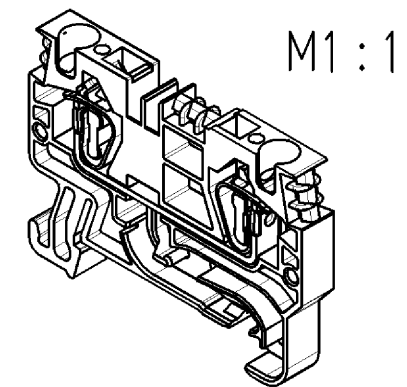
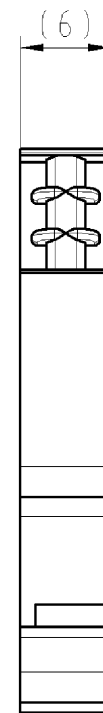
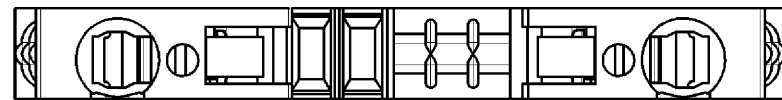
MIT /E gekennzeichnete Maße sind nur für interne Zwecke gültig

Weitere Daten siehe Katalog
 further data see catalog



Hutschiene EN60715-35x7,5
 mounting rail EN60715-35x7,5

Hutschiene EN60715-35x15
 mounting rail EN60715-35x15



Freitoleranz nach DIN		CAD - Zeichnung, keine manuellen Änderungen			1. Verwendung: -		Bl.: 1 von 1	
	/	Maßstab	Werkstoff und Oberfläche: Farbe: grün/gelb colour: green/yellow	2004	Tag	Name	Zeichnung Nr. 56.704.9055.0 01K	Index
	/			2:1	Entworfen	15.03.		
	/			Geprüft	-	-	Ersatz für: -	
	/			Normgepr.	-	-		
	/					Typ WKFN 4 SL/35	Benennung SCHUTZLEITERKLEMME fosis Pro Federkraftausführung 4mm ² earth terminal with spring clamp connection	
Buchstabe	Datum / Blatt	Änderung						

Weitergabe sowie Vervielfältigung dieses Dokuments, Verwertung und Mitteilung seines Inhalts sind verboten, soweit nicht ausdrücklich gestattet.
 The reproduction, distribution and utilization of this document as well as the communication of its contents to others without express authorization is prohibited.