

Data sheet

Commercial Art.No.: Z7.415.0810.0

Housing D-Sub IT GUBL 3 0,5 4 AU

15 pole D-Sub connector, size 6, female



Commercial Art.No.	Z7.415.0810.0
EAN	4015573160026
Order Unit	10

Technical data

Classification

ECLASS 11	
ECLASS 8.1	27440202
ETIM 7.0	EC000437
ETIM 6.0	EC000437
ETIM 5.0	EC000437

General

Housing material	aluminum
Surface	Gilt
Degree of protection (IP)	IP54
UV resistant	yes
Operating temperature range min.	-40 °C
Operating temperature range max.	100 °C

Connection Data

Connection type	Soldering connection
Number of poles	15
With wire protection	No
Min. conductor diameter rigid (solid/stranded)	0.2 mm ²
Max. conductor diameter rigid (solid/stranded)	0.5 mm ²

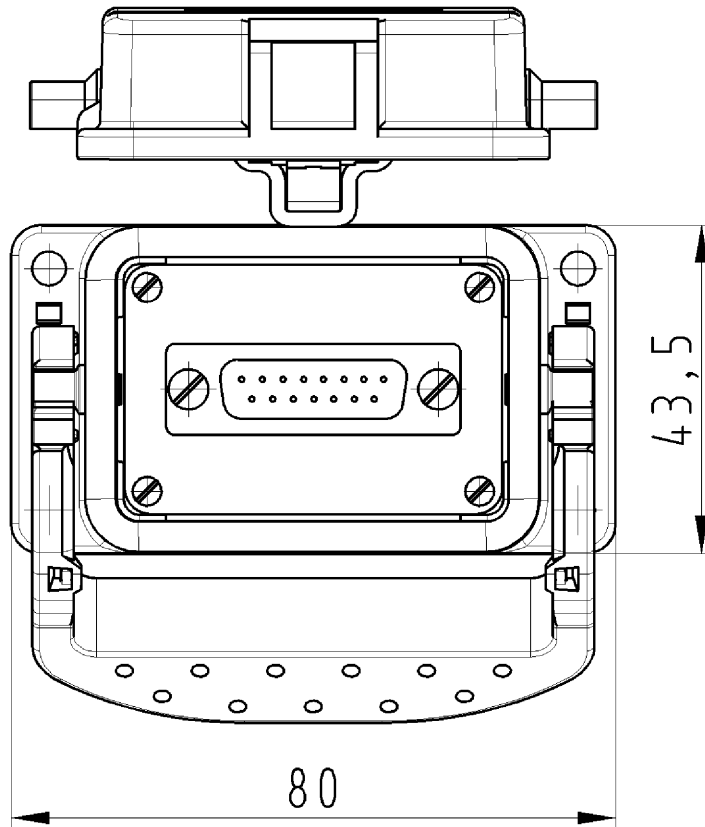
Model

Locking mechanism	Single locking lever
Cable entry	None
With cable screw gland	No
Thread size PG	
Hinged lid	yes
Length	80 mm
Width	43 mm
Height	28 mm

Product compliance

ROHS conformity status	Compliant/Exempted
ROHS exceptions	III-6(a); III-6(c)

REACH-SVHC conformity status	Duty-To-Declare
REACH-SVHC substances	Lead
REACH-SVHC CAS numbers	7439-92-1



Steckverbindung
D-Sub GUT 6
Z7.415.0810.0

Zeichnungsnummer
Z7.415.0810.010W

16.11.2007
Roppelt Dominik
M 1:1