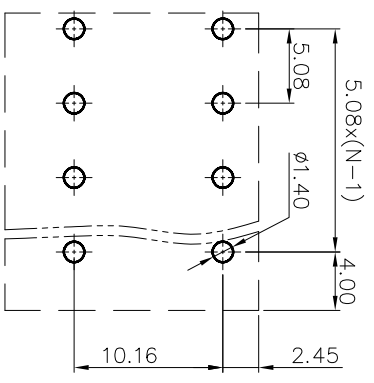
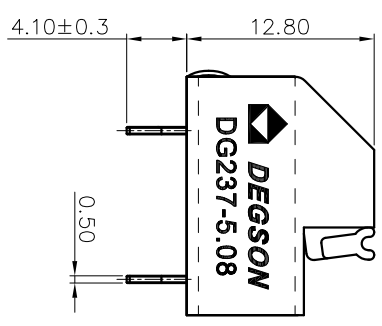
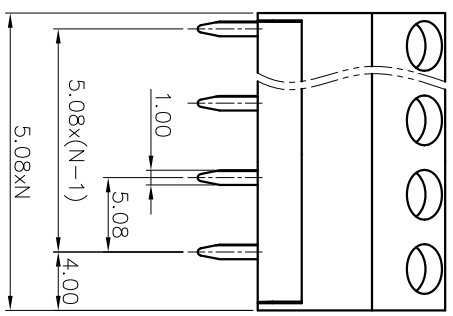
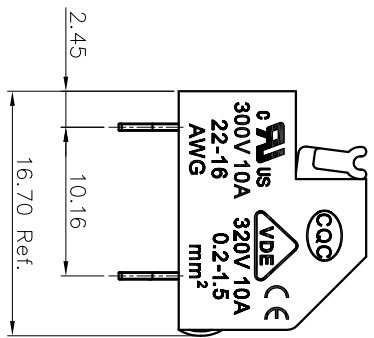
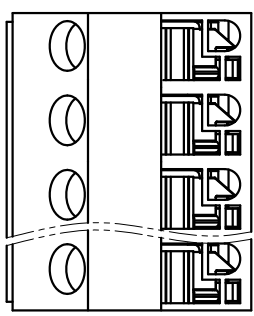


REVISION RECORD			
REV	ECN	DESCRIPTION	DRFT DATE

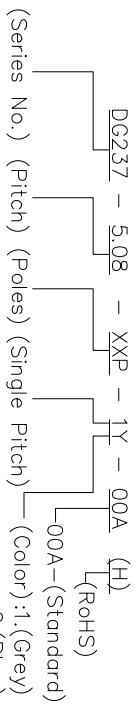


- NOTES1:  
 UL Standard  
 1. Rated voltage/current : 300V / 10A  
 2. Wire range : 22~16AWG
- IEC Standard  
 1. Rated voltage/current : 320V / 10A  
 2. Wire range : 0.2~1.5mm<sup>2</sup>

- NOTES2:  
 1. Dimension shall be interpreted per ASME Y14.5-2009  
 2. Pitch : 5.08mm, Poles : N=2~12P  
 3. Stripping length : 11mm  
 3. Withstanding voltage : AC2500V/1Min.  
 3. Operating temperature : -40°C~+105°C  
 4. Undimensioned tolerances:

Pitch range in mm	Nominal dimension range in mm		Tolerance
	Over	Under	
6	10	30	0.1/10
TO	TO	TO	TO
6	10	24	±
TO	TO	30	±
60	100	150	±2°
±0.15	±0.20	±0.30	±0.50
±0.30	±0.50	±0.70	±1.00
±1.00	±1.30	±1.30	±2°

5. RoHS Compliance



- 00A-(Standard)  
 (RoHS)  
 00A-(H)

DETACHED LISTS			
PART NO.:	/	NAME:	NINGBO DEGSON ELECTRICAL CO., LTD
APPD:	/	DEGSON	宁波高松电子有限公司
CHKD:	/	NAME:	DG237-5.08-XXP-1Y-00A(H)
DRFT:	/	TITLE:	CUSTOMER DRAWING
THIRD ANGLE PROJECTION		DRAWING NO.:	/
		DO NOT SCALE DRAWING	SCALE
			1:1

A 8 7 6 5 4 3 2 1