

NOTE :

1.Contacts Finish: Tin Over Nickel

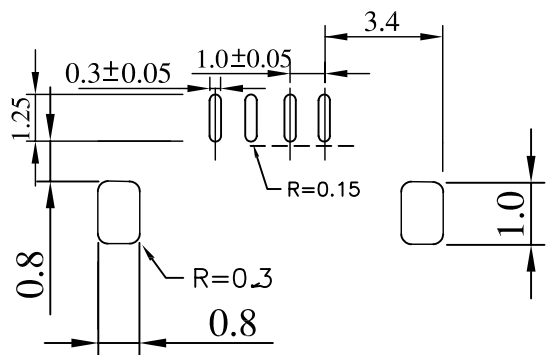
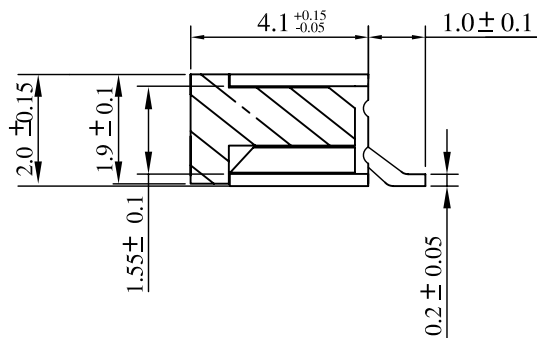
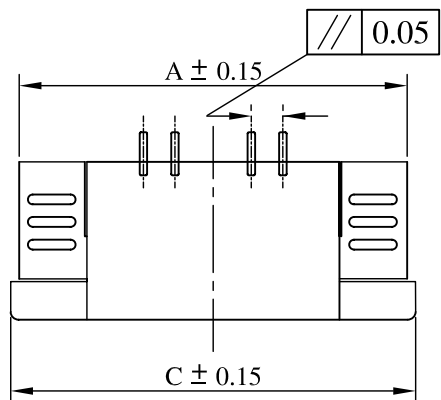
2.Material:

Insulator:Thermoplastic

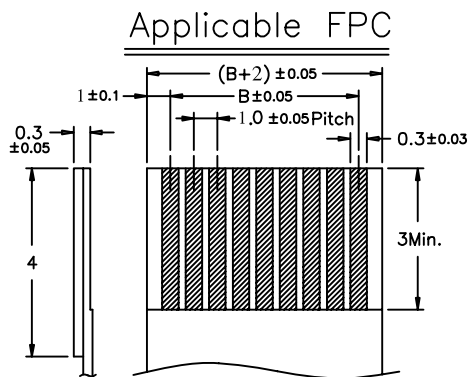
Contacts:Phosphor Bronze

FPA-WZA-xx-LF
LEADFREE

RoHS Compliant



PCB Layout



No.of Contacts	Contacts Number	DIM. A	DIM. B	DIM. C	DIM. D
04	FPA-WZA-04	9.2	3	10	5.1
05	FPA-WZA-05	10.2	4	11	6.1
06	FPA-WZA-06	11.2	5	12	7.1
07	FPA-WZA-07	12.2	6	13	8.1
08	FPA-WZA-08	13.2	7	14	9.1
09	FPA-WZA-09	14.2	8	15	10.1
10	FPA-WZA-10	15.2	9	16	11.1
11	FPA-WZA-11	16.2	10	17	12.1
12	FPA-WZA-12	17.2	11	18	13.1
13	FPA-WZA-13	18.2	12	19	14.1
14	FPA-WZA-14	19.2	13	20	15.1
15	FPA-WZA-15	20.2	14	21	16.1
16	FPA-WZA-16	21.2	15	22	17.1
17	FPA-WZA-17	22.2	16	23	18.1
18	FPA-WZA-18	23.2	17	24	19.1
19	FPA-WZA-19	24.2	18	25	20.1
20	FPA-WZA-20	25.2	19	26	21.1
21	FPA-WZA-21	26.2	20	27	22.1
22	FPA-WZA-22	27.2	21	28	23.1
23	FPA-WZA-23	28.2	22	29	24.1
24	FPA-WZA-24	29.2	23	30	25.1

PART NO. FPA-WZA-xx

DWG NO. FPA-WZA-xx

FILE NO.

UNIT / mm

SCALE 1:1

CHECKED BY CY

DRAWING BY

PROJECTION

TOLERANCES ARE

.X ± 0.2

.XX ±

.XXX ±

AWG

DESCRIP TION:

FPC/FPC Connector ZIF
Right Angle Upper Contact
Type (Pitch 1.0 mm)

AREA

REVISIONS

HK

DATE