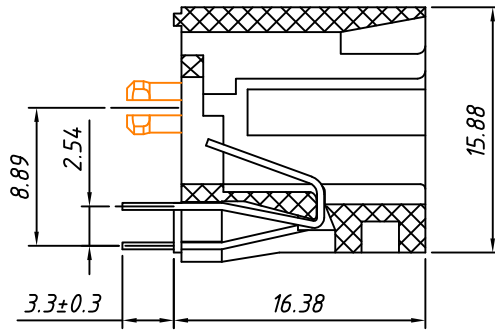
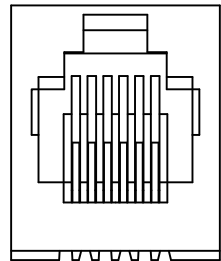
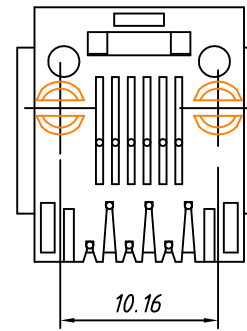


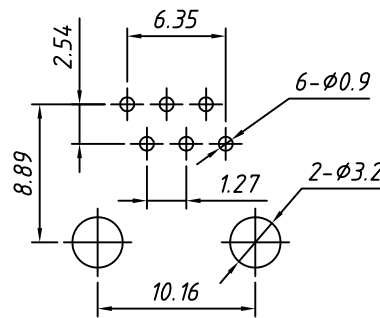
With Panel



SECTION A-A



Without Panel



PCB Layout

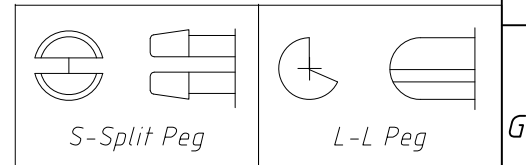
Material:
 Housing: PBT+Glass Filled Polyester
 Flammability Rating : UL94V-0
 Contacts: Phosphor Bronze $\phi 0.46\text{mm}$
 Plating: Gold Plating

Electrical:
 Voltage Rating: 125VAC
 Current Rating: 1.5A
 Contact Resistance: 30m Ω Max.
 Insulation Resistance: 500M Ω Min.
 Dielectric Strength: 1000VAC Rms 50Hz, 1 Min.
 Durability: 600 cycles Min.
 Operation Temperature: -40°C ~ +70°C

Order Information

L-KLS12-154-6P6C-X-X-1-XX

RoHS _____
 Contacts: 6P6C _____
 Panel Code: W-with Panel _____
 W/O-without Panel _____
 Peg Code: L-L Peg S-Split Peg _____
 Color Code: 1-Black _____
 Plating Code: _____
 01-Fu" Gold Plating
 02-3u" Gold Plating
 03-6u" Gold Plating
 04-15u" Gold Plating
 05-30u" Gold Plating



GENERAL TOLERANCE	PROJECTION		Description:
X. ± 0.30	UNITS	mm	RJ12-6P6C Vertical Modular jacks,Black KLS P/N: L-KLS12-154-6P6C-X-X-1-XX
.X ± 0.25	SCALE	1:1	
.XX ± 0.20	Draw by:	Jenny	
ANGLE TOLERANCE	Check by:	Daniel	NingBo KLS ELECTRONIC CO.,LTD.
X. $\pm 3^\circ$	Date	2019-12-26	
.X $\pm 2^\circ$	SHEET	1 OF 1	
.XX $\pm 1^\circ$			