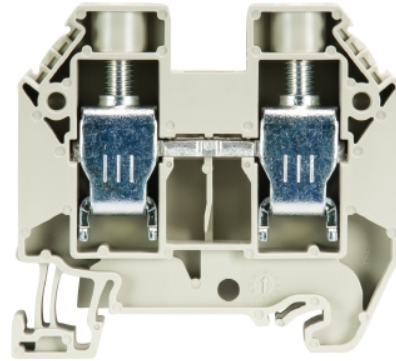


## Data sheet

Commercial Art.No.: 58.516.0055.0

Feed-through terminal WT 16

Feed-through terminal with Screw connection for mounting on TS 35, nominal cross section: 16 mm<sup>2</sup>, width: 12 mm, color: grey



Commercial Art.No.	58.516.0055.0
EAN	4049088164514
Order Unit	50

Certificates / Approvals



SEV-Ex



## Technical data

### General

Nominal cross section	16 mm <sup>2</sup>
Color	Grey
Number of levels	1
Number of clamp positions per level	2
Width/grid dimension	12 mm
Insulating housing	PA666
Inflammability class of insulation material acc. with UL94	V0
Mounting method	DIN rail (top hat rail)
Terminal blocks for electrical installations	yes

### Technical data

Rated current	76 A
Rated voltage	1000 V
Rated impulse voltage	8 kV
Pollution degree	3
Closing plate required	yes
Type of insulation material	Thermoplastic
Length	58 mm

### Connection Data

Connection type 1	screw connection
Connection type 2	screw connection
Minimum cross section solid	1.5 mm <sup>2</sup>

Maximum cross section solid	16 mm <sup>2</sup>
Minimum cross section fine stranded	4 mm <sup>2</sup>
Maximum cross section fine stranded	25 mm <sup>2</sup>
Minimum cross section stranded	16 mm <sup>2</sup>
Maximum cross section stranded	25 mm <sup>2</sup>
Minimum conductor cross section (flex., stranded) with cable end sleeve	1.5 mm <sup>2</sup>
Maximum conductor cross section (flex., stranded) with cable end sleeve	16 mm <sup>2</sup>
Wire strip length	15 mm
Torque conductor mounting	2 Nm

#### Technical Data UL/CSA

Cross section UL	14-4 AWG
Voltage UL	600 V
Current factory wiring	85 A
Current field wiring	85 A
Cross section CSA	14-4 AWG
Voltage CSA	600 V
Current CSA	85 A

#### Classification

ECLASS 11	
ECLASS 8.1	27141120
ETIM 7.0	EC000897
ETIM 6.0	EC000897
ETIM 5.0	EC000897
ETIM 4.0	EC000897

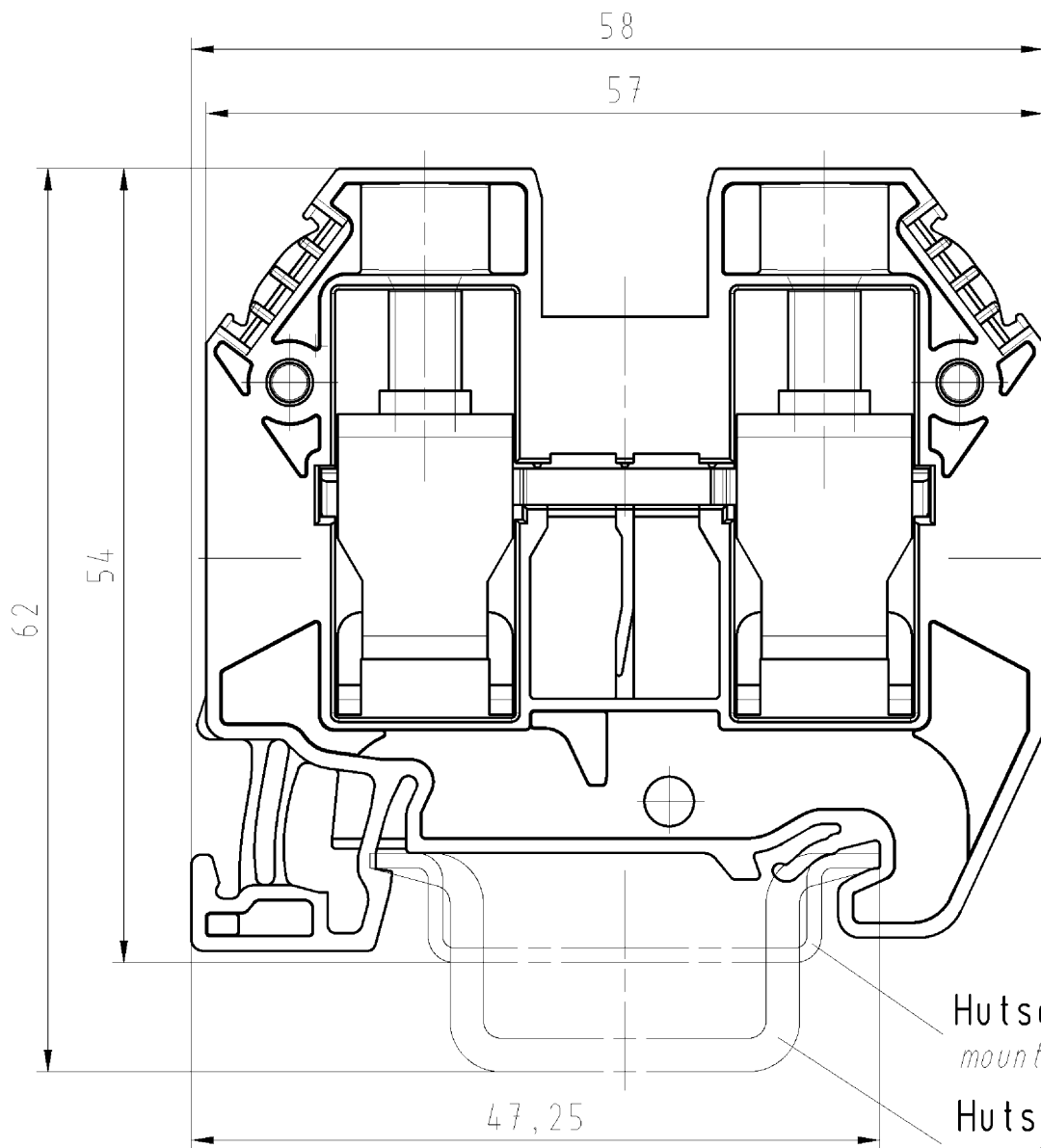
#### Product compliance

REACH-SVHC conformity status	Compliant
------------------------------	-----------

#### Accessories

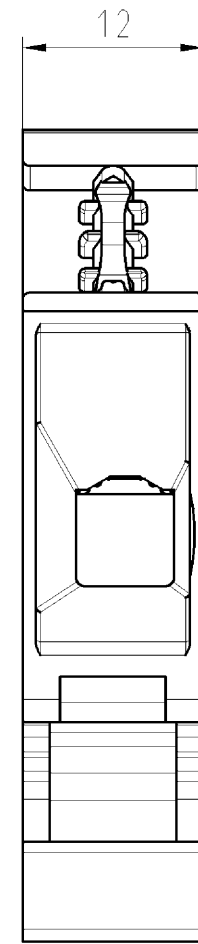
Commercial Art.No.:	Article-type description:	Description:
Z7.284.4227.0	Jumper bar IVBWKF 16- 2	Cross connector, insulated for DIN rail terminal blocks type WKF..., 2 - pole
98.300.0000.0	Mounting rail TS 35x7,5 UNPERF - l:2000mm	Mounting rail TS 35, unslotted, size 7,5 mm, length 2 m, material steel. galv. zinc-plated and dichromated
98.300.1000.0	Mounting rail TS 35x7,5 PERF 15mm - l:2000mm	Mounting rail TS 35, slotted, size 7,5 mm, length 2 m, material steel. galv. zinc-plated and dichromated
98.300.1900.0	Mounting rail TS 35x7,5 PERF 25mm - l:2000mm	Mounting rail TS 35, slotted, size 7,5 mm, length 2 m, material steel. galv. zinc-plated and dichromated
98.360.0000.0	Mounting rail TS 35x15-2,3 UNPERF - l:2000mm	Mounting rail TS 35, unslotted, size 15 mm, length 2 m, material steel. galv. zinc-plated and dichromated
98.360.0004.0	Mounting rail TS 35x15-2,3 UNPERF FZN - l:2000mm	Mounting rail TS 35, unslotted, size 15 mm, length 2 m, material steel, hot galvanized
98.370.0000.0	Mounting rail TS 35x15 UNPERF - l:2000mm	Mounting rail TS 35, unslotted, size 15 mm, length 2 m, material steel. galv. zinc-plated and dichromated
98.370.1000.0	Mounting rail TS 35x15 PERF 15mm - l:2000mm	Mounting rail TS 35, slotted, size 15 mm, length 2 m, material steel. galv. zinc-plated and dichromated

98.380.0000.0	Mounting rail TS 35x15-2,3 UNPERF CU - l:2000mm	Mounting rail TS 35, unslotted, size 15 mm, length 2 m, material E copper
07.313.2755.0	End plate AP WT 16 GR	End plate for DIN rail terminal blocks type WT 16..., color: grey
07.313.2855.0	Partition TW WT 4... GR	Partition for DIN rail terminal blocks type WT 16, grey
98.300.1800.0	Mounting rail TS 35x7,5 PERF 18mm - l:2000mm	Mounting rail TS 35, slotted, size 7,5 mm, length 2 m, material steel. galv. zinc-plated and dichromated

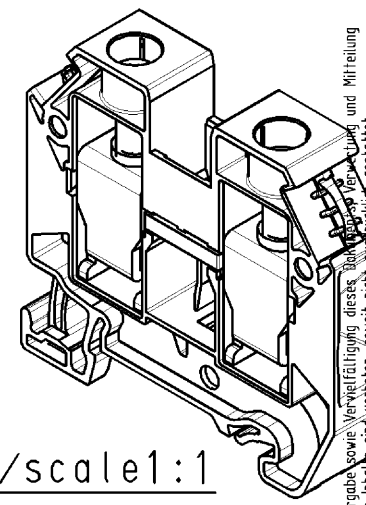


Hutschiene EN 60715-35x7,5  
*mounting rail EN 60715-35x7,5*

Hutschiene EN 60715-35x15  
*mounting rail EN 60715-35x15*



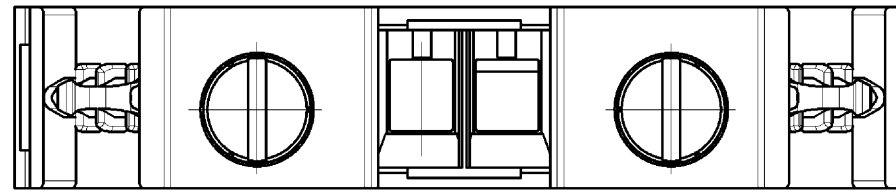
M/scale 1:1



Weitergabe sowie Vervielfältigung dieses Dokuments, auch auszugsweise, ist ohne schriftliche Genehmigung der Wieland-Werke AG. The reproduction, distribution and utilization of this document as well as the communication of its contents to others without express authorization is prohibited.

These dimensions will be especially checked at delivery  
 Only inspection dimensions  
 With /E marked dimensions are only valid for internal use

Diese Maße werden bei Abnahme besonders geprüft  
 Ausschließlich Prüfmaße  
 Mit /E gekennzeichnete Maße sind nur für interne Zwecke gültig



Teile - Nr. <i>part - no.</i>	Farbe <i>colour</i>
58.516.0055.0	grau <i>grey</i>
58.516.0055.1	schwarz <i>black</i>
58.516.0055.2	weiß <i>white</i>
58.516.0055.4	braun <i>brown</i>
58.516.0055.5	rot <i>red</i>
58.516.0055.6	blau <i>blue</i>
58.516.0055.7	grün <i>green</i>
58.516.0055.8	gelb <i>yellow</i>
58.516.0055.9	orange <i>orange</i>

Tolerierung Size ISO 14405 (T) / Tolerance system Size ISO 14405 (T). (This ISO-standard describes the envelope principle. According to the envelope principle the deviations of form and parallelism are limited by the size tolerances).				ja/yes <input checked="" type="checkbox"/> Stoffverbots- und Deklarationsliste nach UU-TOM-05/03 ist einzuhalten. Conformity with Wieland document UU-TOM-05/03 (list of prohibited / declarable hazardous substances) to be declared!			
Freitoleranz nach General tolerance		CAD - Zeichnung, keine manuellen Änderungen CAD - drawing, no manual modifications allowed		1. Verwendung: First Use: -		Blatt: 1 von 1 Sheet: of 1	
/		Werkstoff/Material		2013 Tag/Date		Name	
/		Maßstab/Scale		gezeichnet drawn 21.01.		Eller	
/		2:1		geprüft checked -		-	
/		Vol. mm <sup>3</sup> Ofl./Surf. mm <sup>2</sup>		Normgepr. Stand. check -		-	
/		Vol. mm <sup>3</sup> Ofl./Surf. mm <sup>2</sup>		Ersatz für/Replacement for: -		-	
/		wieland		Type		Benennung/Tittle	
/		Elektrische Verbindungen		WT 16		DURCHGANGSKLEMME through terminal	
Index		Datum / Blatt Date / Sheet		-		-	
Änderung/Revision		-		-		-	

585160055001K\_2 CADW3070\_U0016728 2013-01-22T09:55:50 1.000