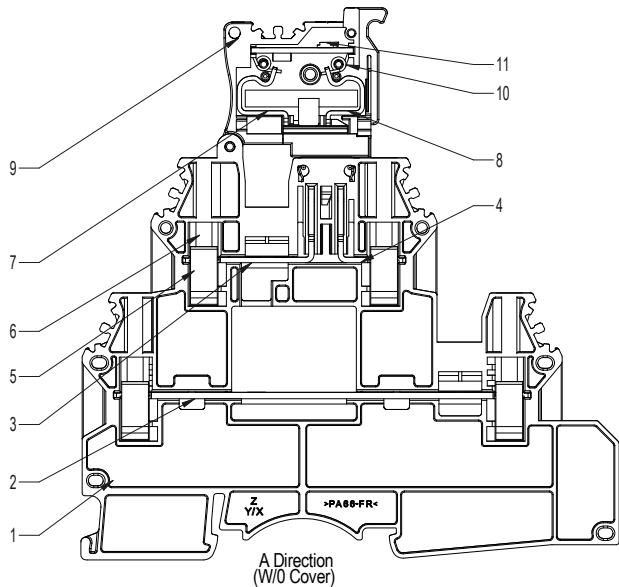
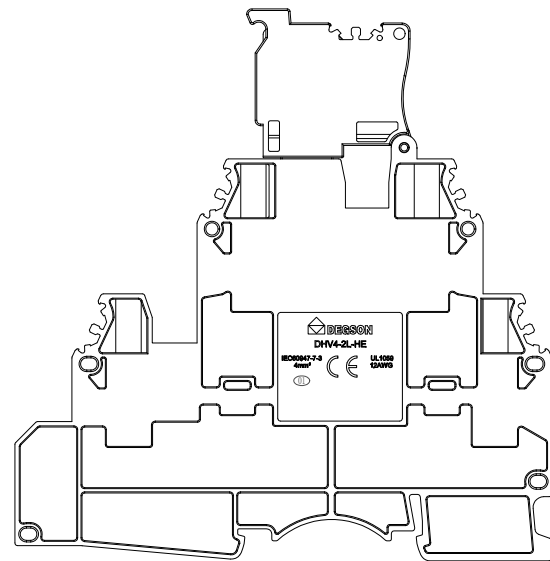
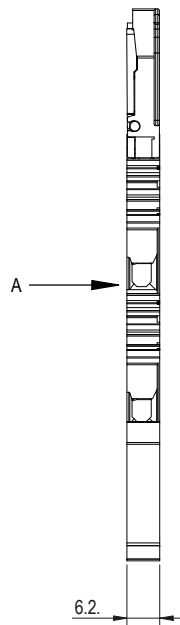
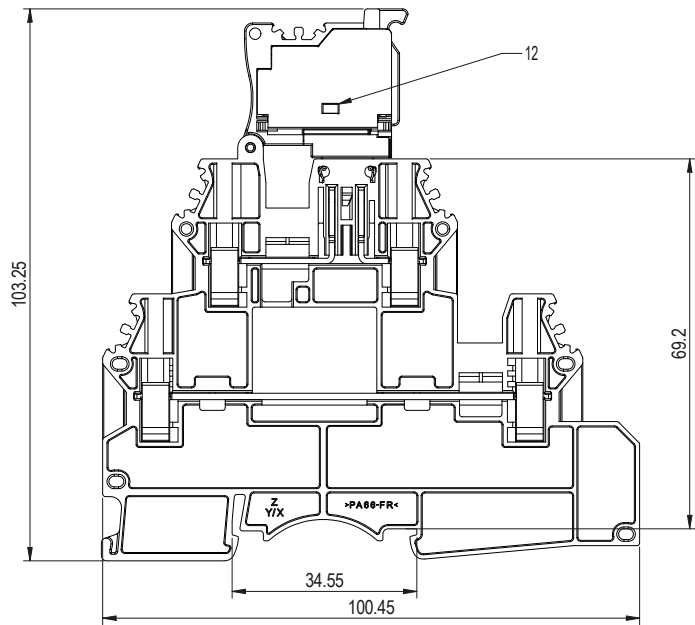


公差/General tolerances (mm)													D
0	>3	>6	>10	>18	>30	>50	>80	>120	>180	>250	>315	>400	
~3	~6	~10	~18	~30	~50	~80	~120	~180	~250	~315	~400	~500	~2
±0.12	±0.18	±0.22	±0.26	±0.31	±0.37	±0.57	±0.80	±0.93	±1.05	±1.15	±1.60	±2.20	±2.50



ITEM	NAME OF PART	MATERIAL	NOTES
12	Cover	PA66	UL94V-0
11	24V PCB	/	/
10	Torsional spring	Bronze	/
9	Fuse Housing	PA66	UL94V-0
8	Current carrier 5	Copper alloy	Sn plated
7	Current carrier 4	Copper alloy	Sn plated
6	Screw	Copper alloy	Ni plated
5	Cage	Copper alloy	Ni plated
4	Current carrier 3	Copper alloy	Sn plated
3	Current carrier 2	Copper alloy	Sn plated
2	Current carrier 1	Copper alloy	Sn plated
1	Housing	PA66	UL94V-0

UL 标准/UL Standard:	B	C	D
额定电压/电流/Rated Voltage(V)/Current(A)	上层: 24/6.3 下层: 300/20	上层: 24/6.3 下层: 300/20	/
IEC 标准/IEC Standard:			
过压类别/Overvoltage Category/污染等级/Pollution Degree	III/3	III/2	II/2
额定电压/电流/Rated Voltage(V)/Current(A)	上层: 24/6.3 下层: 500/30	/	/
额定脉冲电压(RV)/Rate Impulse Voltage(KV)	6	/	/
螺丝扭矩/Torque Tightening(N·m/Lb.in)	M3: 0.5/4.43		
线径范围(硬线和软线)/Wire Range (rigid and flexible)(AWG/mm²)	26~12 / 0.14~4.0 最大裸线: 10AWG/6mm²		
间距/Pitch(mm)/线数范围/Poles	6.2/N=01P		
剥线长度/Stripping length(mm)	9~10		
使用温度范围/Operating temperature(°C)	-60~+105(最高短期工作温度, 电气特性相对温度。)		
符合RoHS环保要求/Conform to RoHS	Yes		
标准颜色编号/Standard color number: PANTONE / RAL	/		

DIIGSON		MATERIAL:	SURFACE/COLOR:
APPD: 彭敏	2023.10.16	NAME	MAT STATUS: 小批量
CHKD: 高卫国	2023.10.16	DHV4-2L-HE-LD24-01P-13-00A&Z (H)	
DRAFT: 陈科丞	2023.10.16	DRAWING NO.	TYPE
REV		200155963	CUSTOMER DRAWING
DESCRIPTION		DRAWING STATUS	SCALE
DRFT		已发布	1:1
DATE		SHEET	1/1

REV	ECN	DESCRIPTION	DRFT	DATE
01		Remove VDE UL symbol	陈科丞	2023.10.16

Transfer or duplication of this document as well as the utilization or reproduction of its contents without the written permission of the copyright holder is prohibited. All rights reserved for patent. 本文件及其内容之复制或再行传播, 以及未经许可擅自使用其内容, 均须事先取得权利人书面许可, 否则, 权利人保留一切法律权利。