

## DETAILS

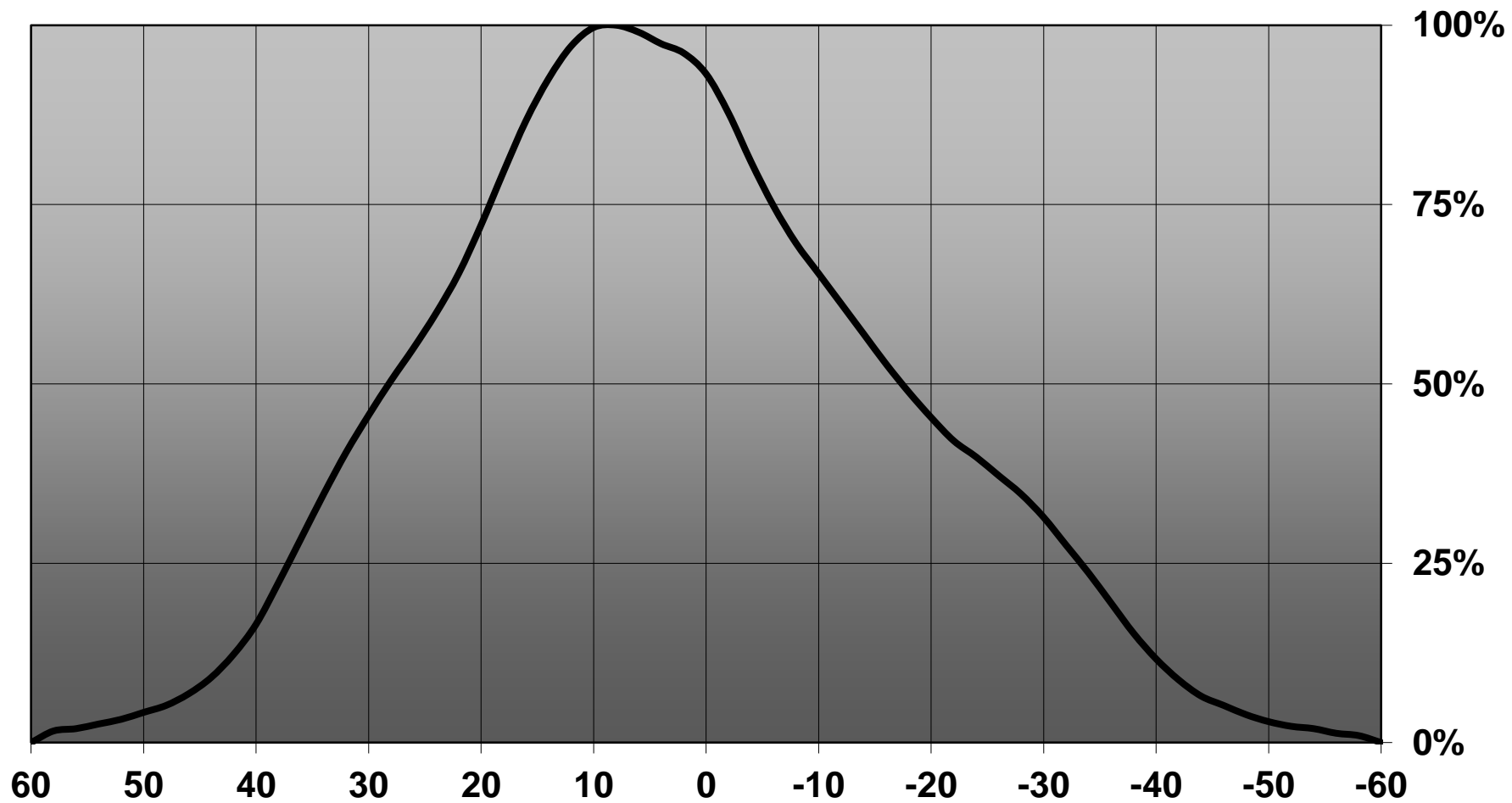
<b>Product Number</b>	FP11003_LISA2-WW-PIN
<b>Family</b>	Lisa
<b>Type</b>	Assembly
<b>Color</b>	black
<b>Diameter</b>	9,9 mm
<b>Height</b>	7 mm
<b>Style</b>	round
<b>Optic Material</b>	PMMA
<b>Holder Material</b>	
<b>Fastening</b>	glue, pin
<b>Status</b>	production ready
<b>ROHS Compliant</b>	Yes
<b>Date Updated</b>	9/05/2017



## OPTICAL PROPERTIES

LED	Viewing	Light	Effi-		Connector
	Angle	Beam	ciency	cd/lm	
Oslon SSL 80	40 deg	Very Wide	87 %	1.340	-
Oslon SSL 150	45 deg	Very Wide	91 %	1.200	-
Oslon Square EC	48 deg	Very Wide	89 %	0.870	-
SFH 4770S	sim: 36	Very Wide	sim: 96 %	-	-
Synios P2720 1 mm	sim: 43	Very Wide	sim: 93 %	sim: 1.920	-

Relative intensity of FP11003-LISA2-WW-PIN\_(SSL80)



D

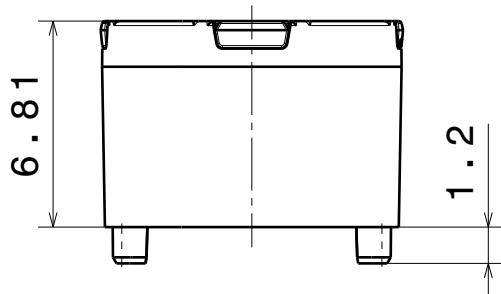
C

B

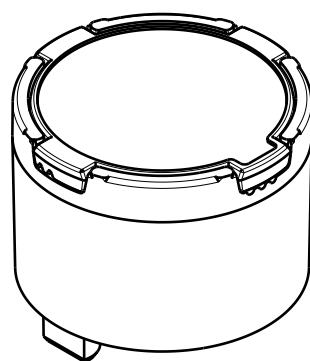
A

4

4

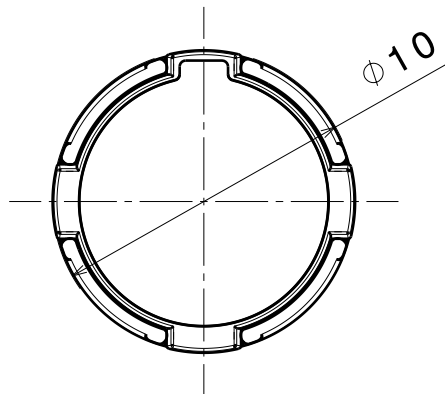


Front view

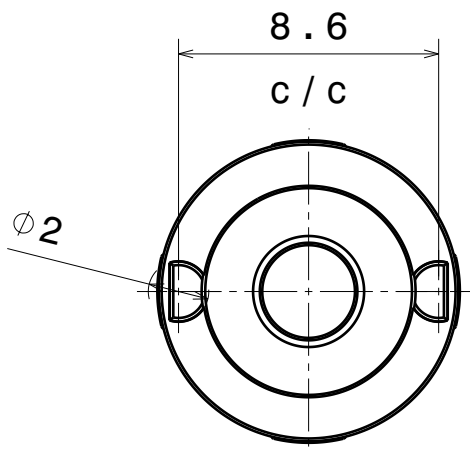
Isometric view  
Scale: 4:1

3

3



Top view



Bottom view

2

2

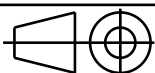
INDEX	PART NO	DESCRIPTION	MATERIAL	COLOUR
1	F10991	LISA2-HLD-PIN-OSL	PC	black
2	-	LISA2 lens	PMMA	

Tolerances if not otherwise shown  
According to DIN ISO 2768-1  
Linear measures:  
Up to 30mm class M, otherwise class C.  
According to DIN ISO 2768-2  
Form and position: class L

LEDiL

Ledil Oy  
Salorankatu 10  
FIN 24240 SALO  
Finland

THIRD ANGLE PROJECTION:



DRAWING TITLE

LISA2-PIN-OSL series

This drawing is the property  
of LEDiL Oy. It may not be  
reproduced, copied or  
communicated without a written  
agreement with LEDiL Oy.

SIZE PART NUMBER

A4

-

SCALE

4:1

WEIGHT

0,5 g

SHEET

1/1

1

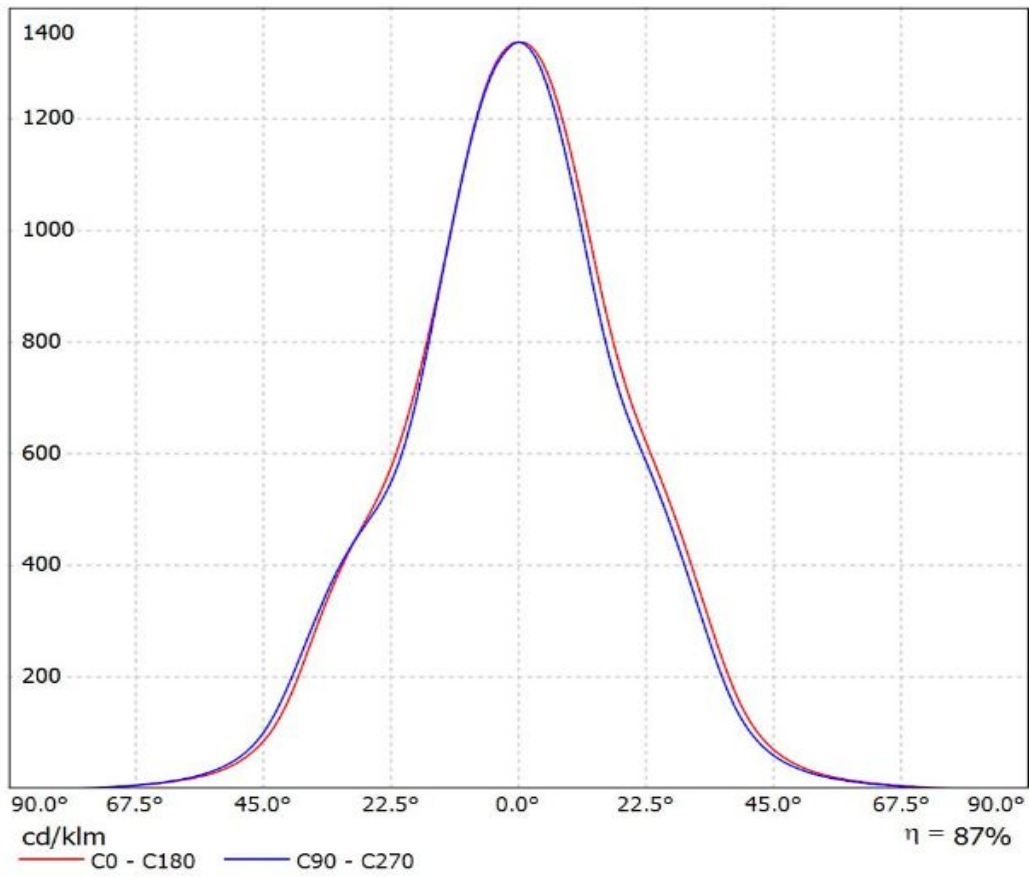
1

D

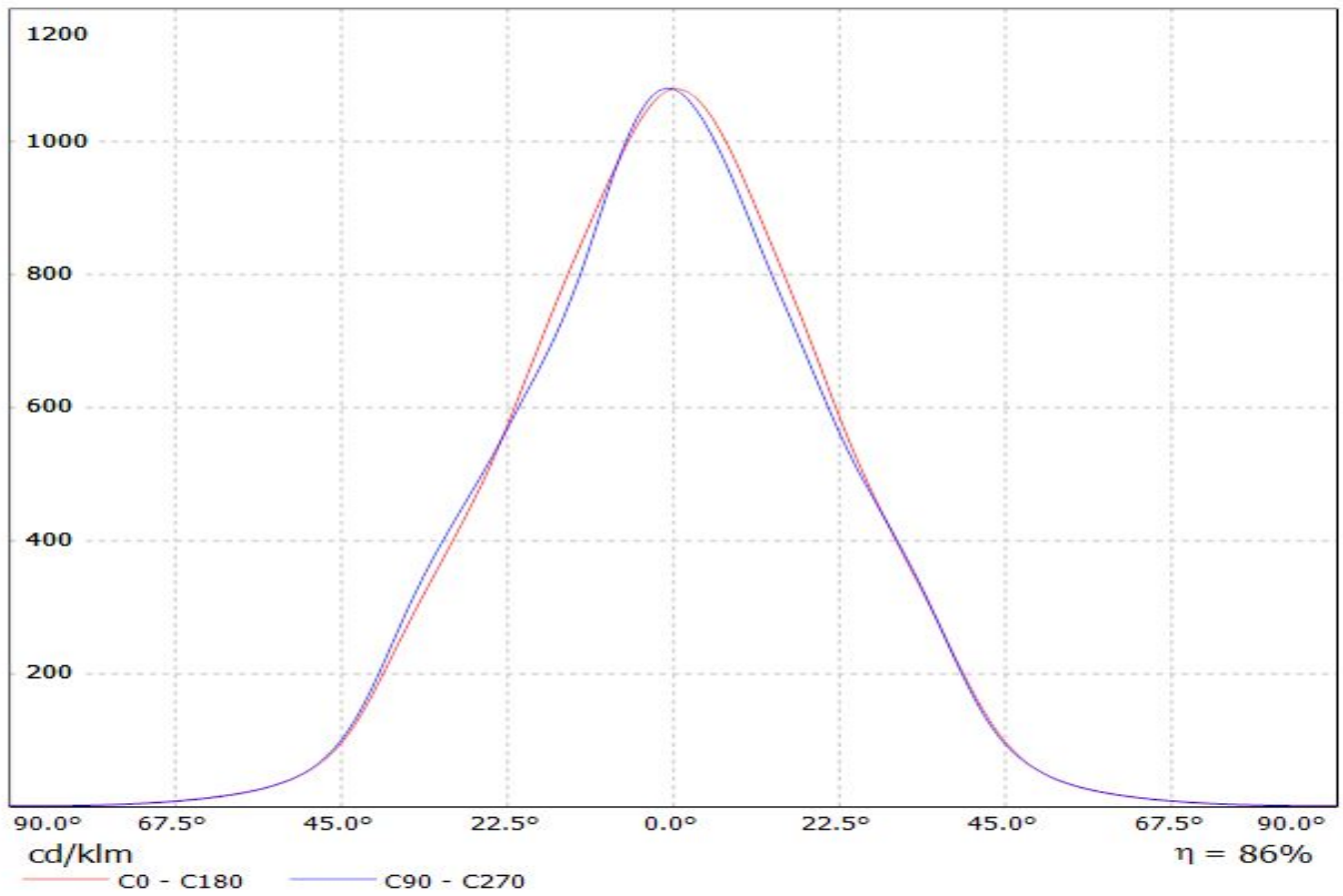
A

Luminaire: Ledil FP11003\_LISA2-WW-PIN\_(SSL80)

Lamps: 1 x Osram\_Oslon\_SSL80\_(GW\_CS8PM1.EM-KULQ-A7371)\_88.4565lm@250mA\_CCT=3000K\_P=0.768825W\_I=0.250A\_CRI=Typ82

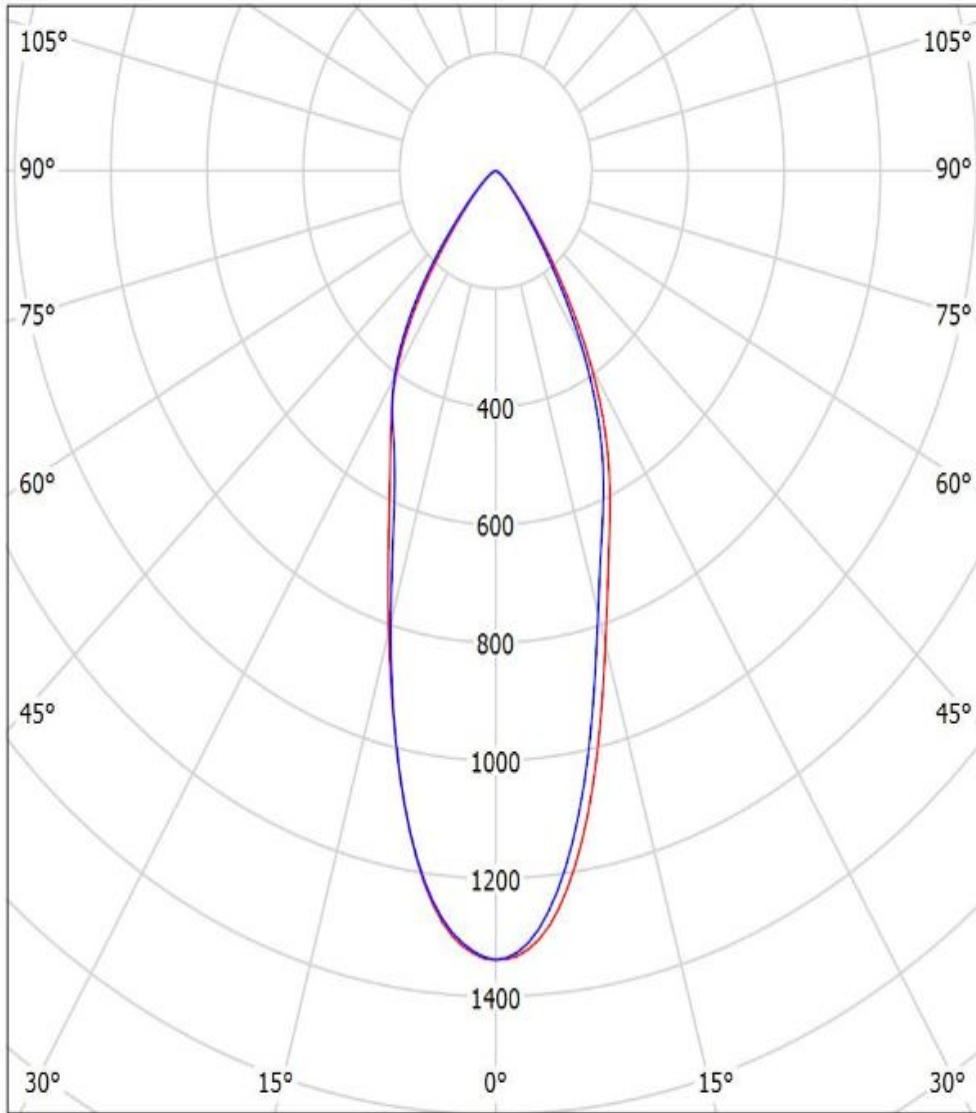


Luminaire: LEDiL Oy Lisa2-WW-PIN/CLIP\_(Oslo Square\_EC)  
Lamps: 1 x Oslo Square EC 79lm@250mA CCT:3000K



Luminaire: Ledil FP11003\_LISA2-WW-PIN\_(SSL80)

Lamps: 1 x Osram\_Oslon\_SSL80\_(GW\_CS8PM1.EM-KULQ-A7371)\_88.4565lm@250mA\_CCT=3000K\_P=0.768825W\_I=0.250A\_CRI=Typ82

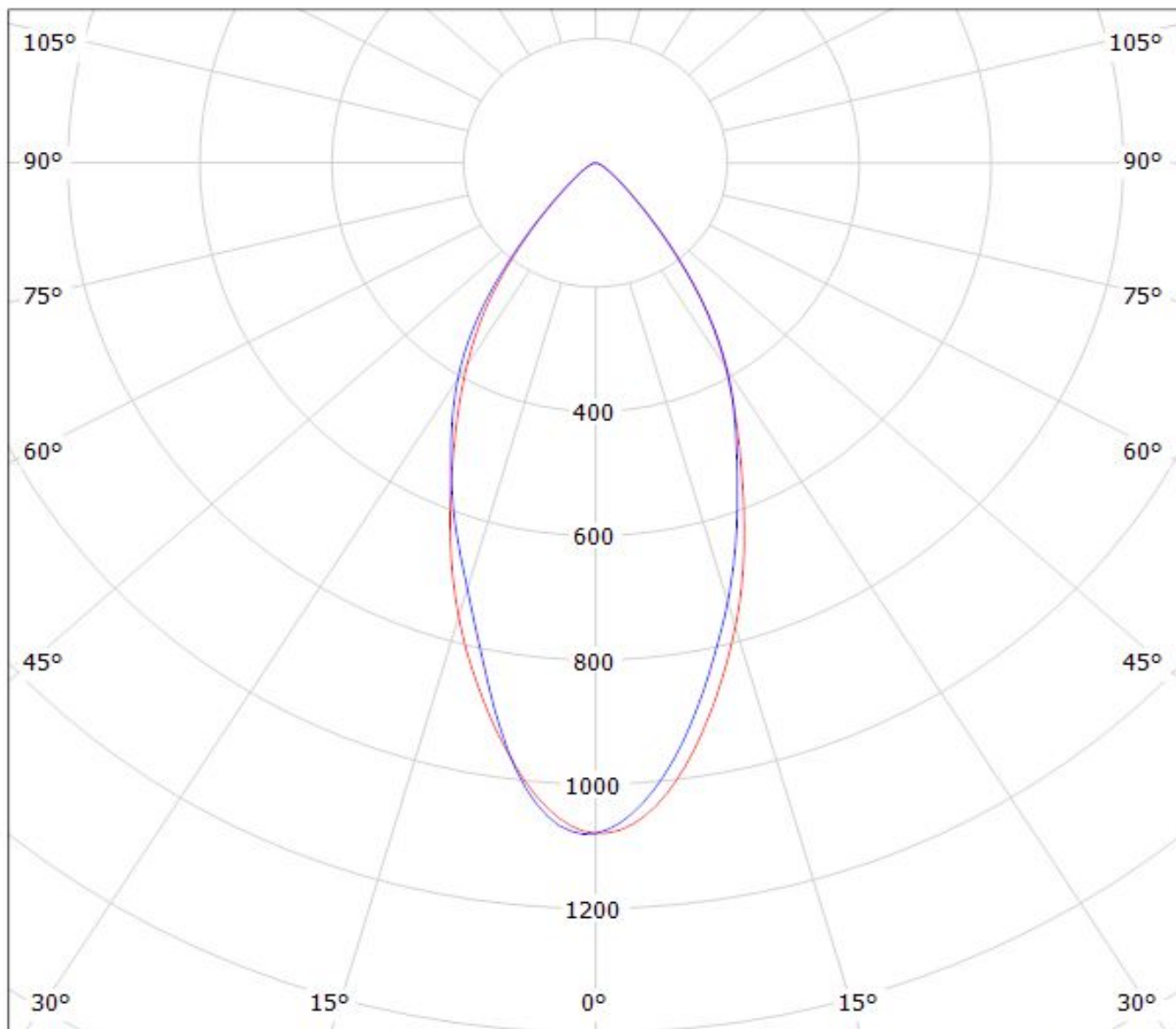


cd/klm

— C0 - C180 — C90 - C270

$\eta = 87\%$

Luminaire: LEDiL Oy Lisa2-WW-PIN/CLIP\_(Oslon\_Square\_EC)  
Lamps: 1 x Oslon Square EC 79lm@250mA CCT:3000K



cd/klm

— C0 - C180

— C90 - C270

$\eta = 86\%$





**NOTE: The typical divergence will be changed by different color, chip size and chip position tolerance. The typical total divergence is the full angle measured where the luminous intensity is half of the peak value.**