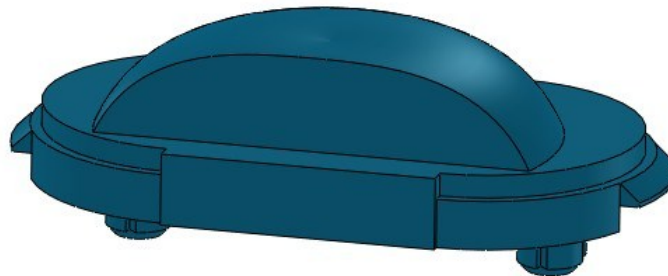


STREET LIGHTING Series Datasheet

Lenses for Lumileds Rebel and Rebel ES LEDs

FL-80



CONTENT:

1. General Characteristics	2
2. Optical Characteristics	3
3. Mechanical Specifications	6
4. Assembly Instructions	7

EUROPEAN SALES CONTACT



iLLUMiNNO GmbH
Vienna | AUSTRIA
TEL +43 660 606 88 11
showin@illumino.com
www.illumino.com

General Characteristics

1. Designed for LUMILEDS Rebel LEDs

This datasheet provides information about the FL-80 when used on Lumileds LUXEON® Rebel and Rebel ES LEDs.



LUXEON® Rebel is trademarks of Lumileds Lighting, LLC. For technical specification on LEDs please refer to the LUXEON® Rebel datasheet or visit

<http://www.philipslumileds.com/products/luxeon-rebel>.

Typical beam divergence may change with different color of LEDs.

2. Lens Material

Optical Grade PC

Operating Temperature range: -30 C° / +70 C°

Storage Temperature range: -30 C° / +70 C°

3. Typical Applications

1. Decorative and entertainment lighting
2. Signal and symbol luminaries for orientation
3. Outdoor commercial and residential architectural lighting
4. Street lighting

Optical Characteristics

1. Beam Angles:

Lens Part Number	Rebel (1/2 power)	Rebel ES (1/2 power)
FL-80	134×58×34	145×65×35

The typical divergence varies with LED color due to different chip size and chip position tolerance. The typical total divergence is the full angle measured where the luminous intensity is half of the peak value.

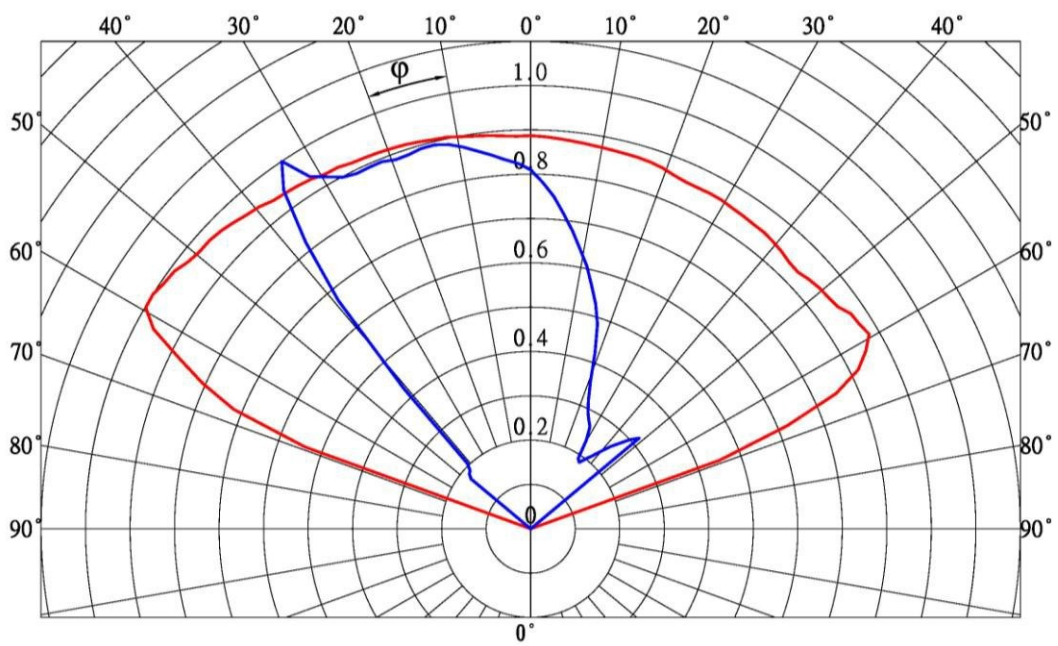
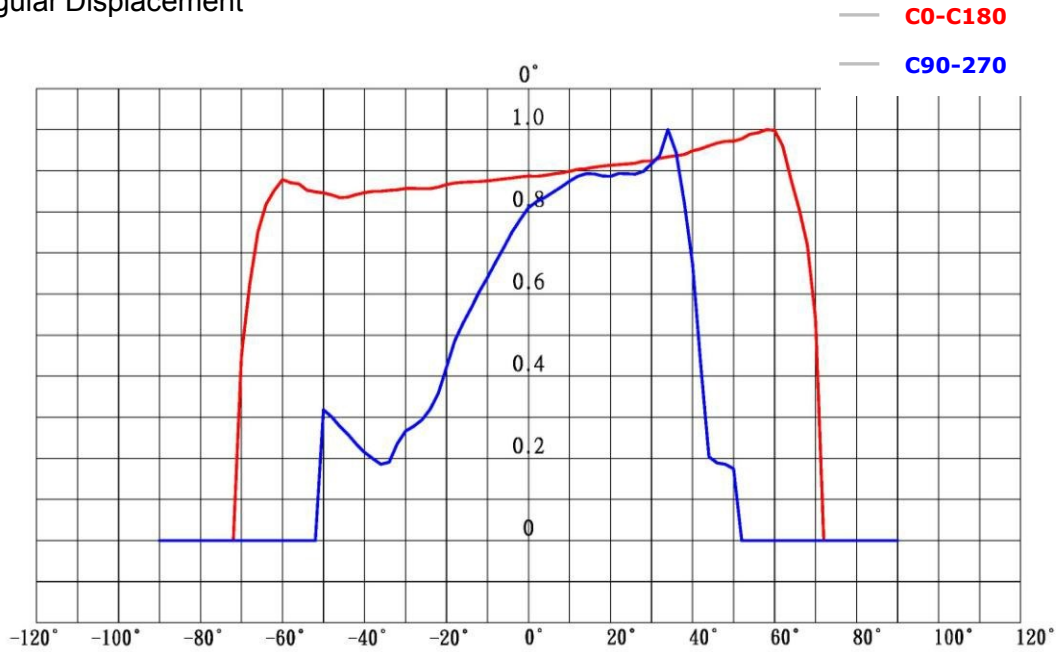
2. Spatial Radiation Pattern

Simulation using LUXEON Rebel and Rebel ES of PHILIPS LUMILEDS and compatible LEDs :

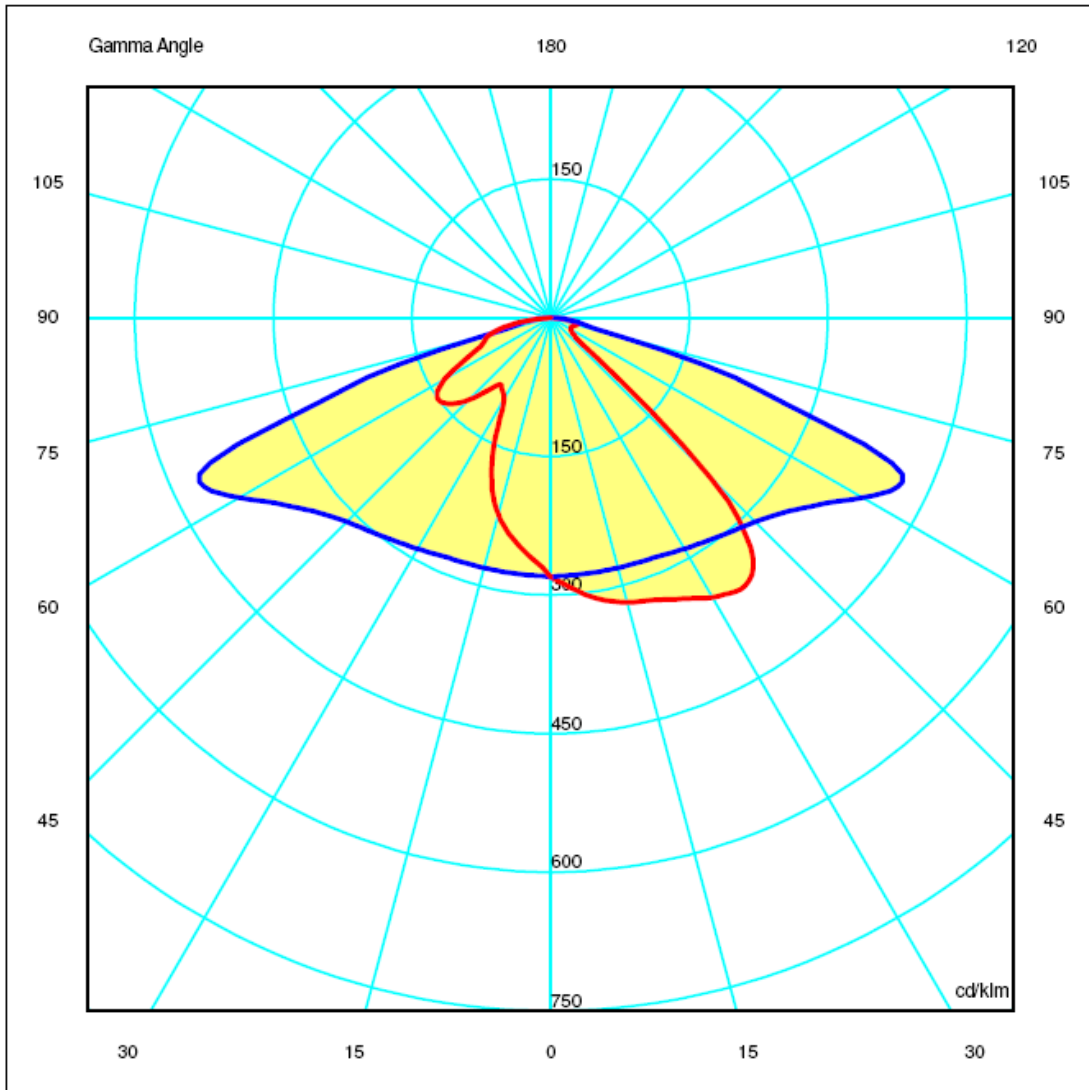
$$I_{rel} = f(\Phi)$$

I_{rel} : Relative Intensity

Φ : Angular Displacement



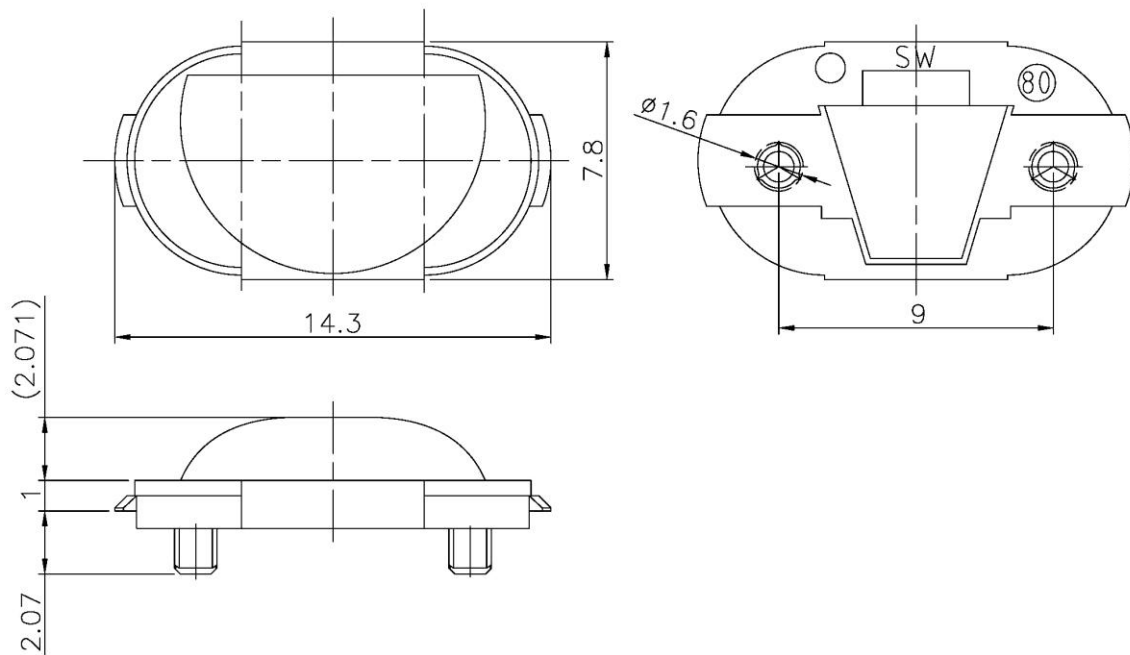
FL-80 Rebel



FL-80 Rebel ES

Mechanical Specifications

Lens dimensions and Top Views:



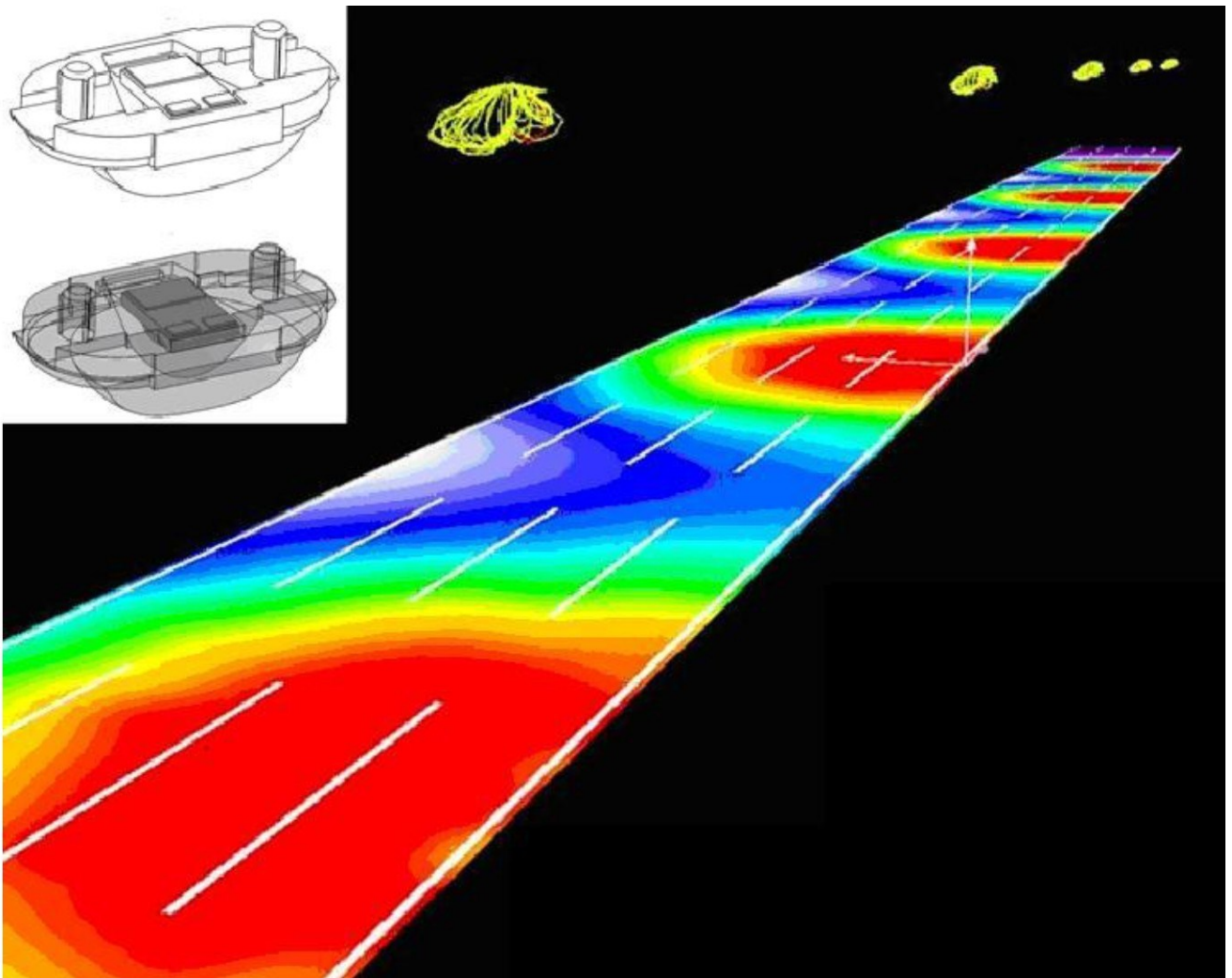
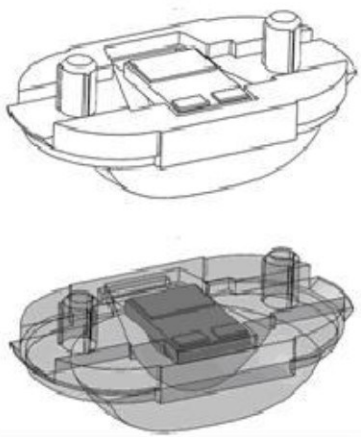
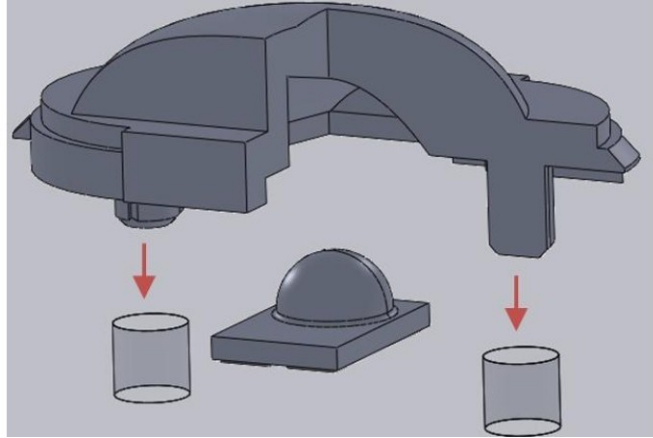
FL-80

Note:

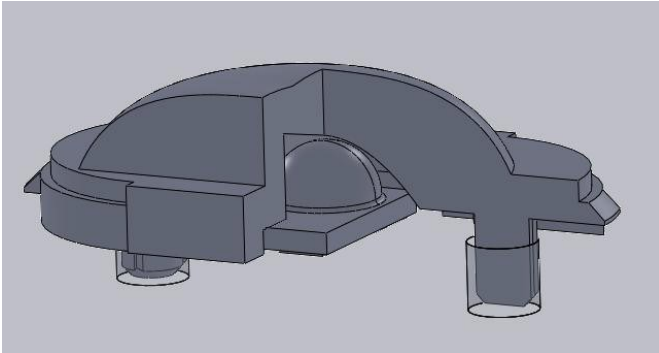
1. Unit measurement: mm
2. General tolerance: ± 0.2 mm
3. Protruding of the gate from the side surface: less than 0.3mm.
4. Please handle or install lenses with gloves, skin oils may damage lens or its optical characteristic.

Assembly Instructions

Lens + Leds + MCPCB



View assembly lens with MCPCB:



Notes:

- (1) All dimensions are in mm.
- (2) Drawing not to scale.
- (3) Collimator material is PC.

- The lens with pins can be glued to the PCB to provide a secure assembly.
- Glue type recommended: EPOXY ADHESIVES (Eg: Loctite E30-CL or ThreeBond 1530C)