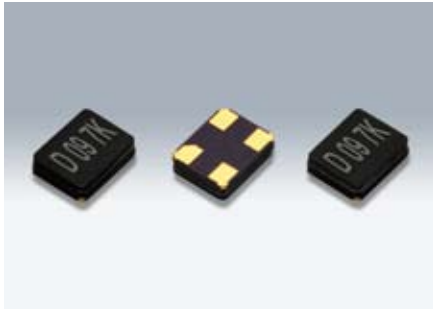


SMD Crystal Resonators / MHz Band Crystal Resonators

DSX321G



Actual size

■ Features

- 3225 size miniature and lightweight SMD crystal resonator with a low profile of 0.75mm.
- Excellent heat resistance, High precision and high reliability (Frequency aging specification of $\pm 1 \times 10^{-6}$ /1 year or $\pm 3 \times 10^{-6}$ /5 year are available for cell phone or wireless communications systems etc.)
- Offers a wide frequency range from a comparatively low 8MHz up to 64MHz.
- AEC-Q200 Compliant
- It is possible to correspond to complete lead free.

■ Applications

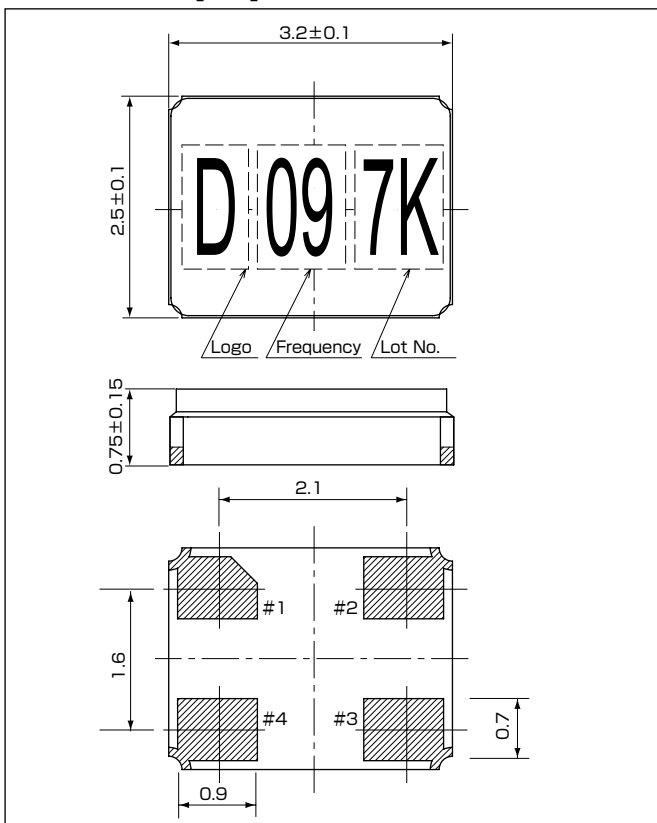
- Telecommunications products, short-range wireless modules and other small devices such as DVC, DSC, PDA, PC.
- Automotive applications such as bluetooth, wireless LAN, GPS, RKE (Remote Keyless Entry), safety control and multimedia device (AEC-Q200 Compliant)

■ Standard Specification

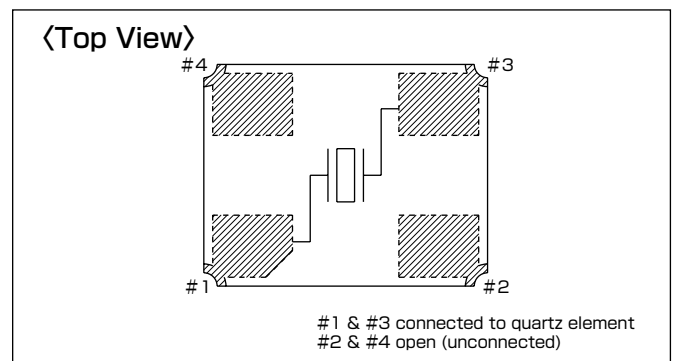
Item	Type	DSX321G						
		8~9MHz	9~9.8MHz	9.8~11MHz	11~12MHz	12~20MHz	20~27MHz	27~64MHz
Frequency Range		8~9MHz	9~9.8MHz	9.8~11MHz	11~12MHz	12~20MHz	20~27MHz	27~64MHz
Overtone Order		Fundamental						
Load Capacitance		Series, 8pF, 10pF, 12pF						
Drive Level		10 μ W(200 μ W max.)						
Frequency Tolerance		$\pm 10 \times 10^{-6}$, $\pm 20 \times 10^{-6}$, $\pm 30 \times 10^{-6}$, $\pm 50 \times 10^{-6}$ (at 25°C)						
Series Resistance		400 Ω max.	300 Ω max.	150 Ω max.	100 Ω max.	80 Ω max.	60 Ω max.	50 Ω max.
Frequency Characteristics over Temperature		$\pm 8 \times 10^{-6}$, $\pm 20 \times 10^{-6}$, $\pm 30 \times 10^{-6}$, $\pm 50 \times 10^{-6}$ / -10~+60°C(Ref. to 25°C)						
		$\pm 12 \times 10^{-6}$, $\pm 20 \times 10^{-6}$, $\pm 30 \times 10^{-6}$, $\pm 50 \times 10^{-6}$ / -20~+70°C(Ref. to 25°C)						
		$\pm 15 \times 10^{-6}$, $\pm 20 \times 10^{-6}$, $\pm 30 \times 10^{-6}$, $\pm 50 \times 10^{-6}$ / -30~+85°C(Ref. to 25°C)						
Storage Temperature Range		-40~+85°C						
Packing Unit		3000pcs./reel(ϕ 180)						
Standard Specification		Refer to page 35						

Consult our sales representative for other specifications.

■ Dimensions[mm]



■ Internal Connections



■ Recommended Land Pattern

[mm]

