

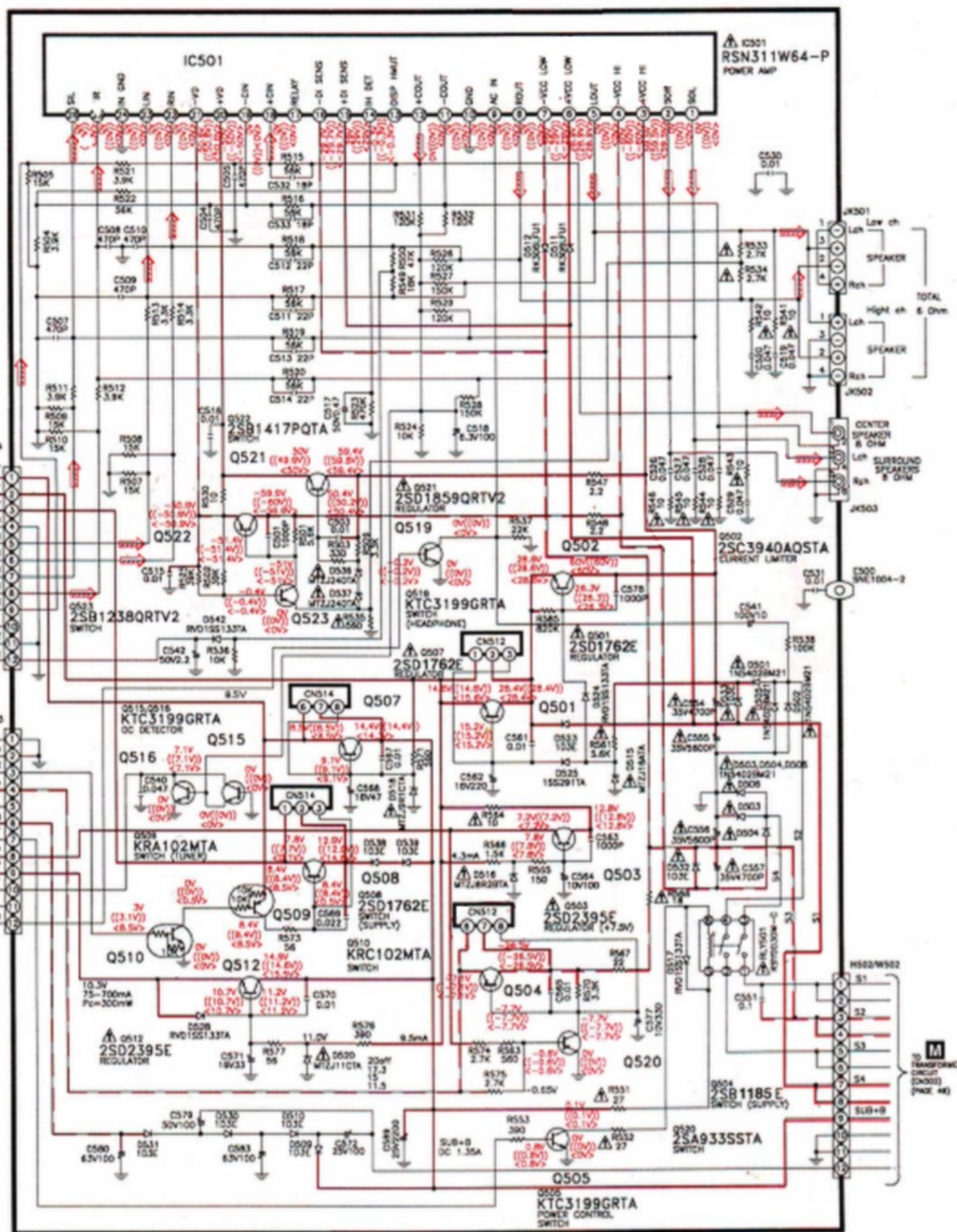


# POWER CIRCUIT

— : +B Line

- - - : -B Line

→ : Main Signal Line



M TO TRANSFORMER CIRCUIT (PAGE 44)